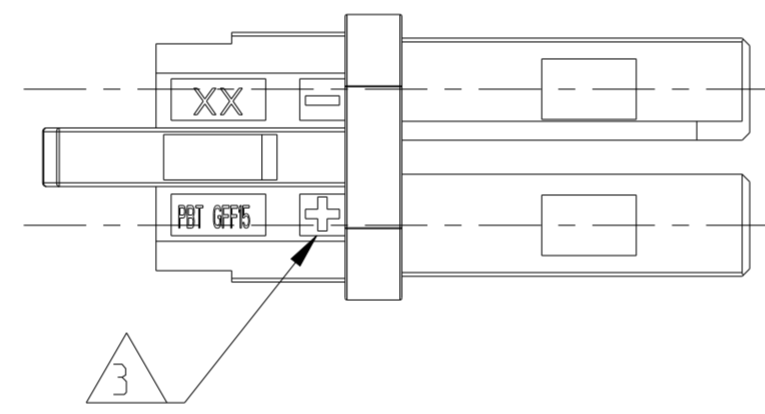
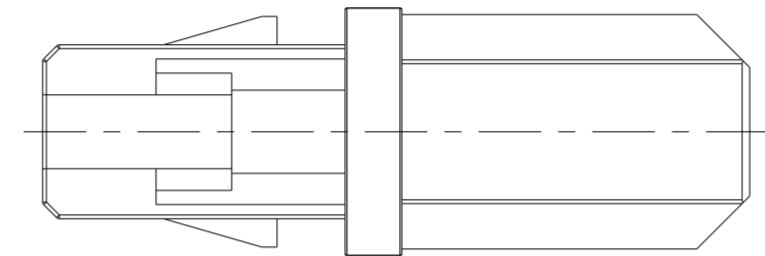
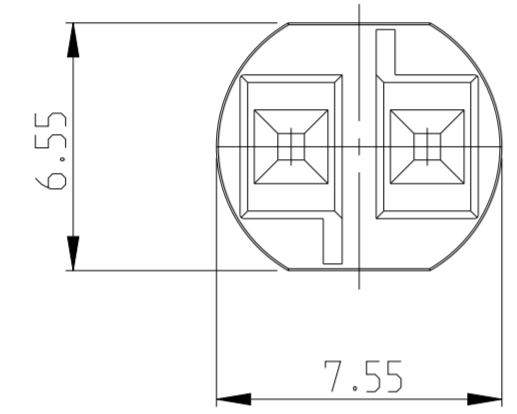
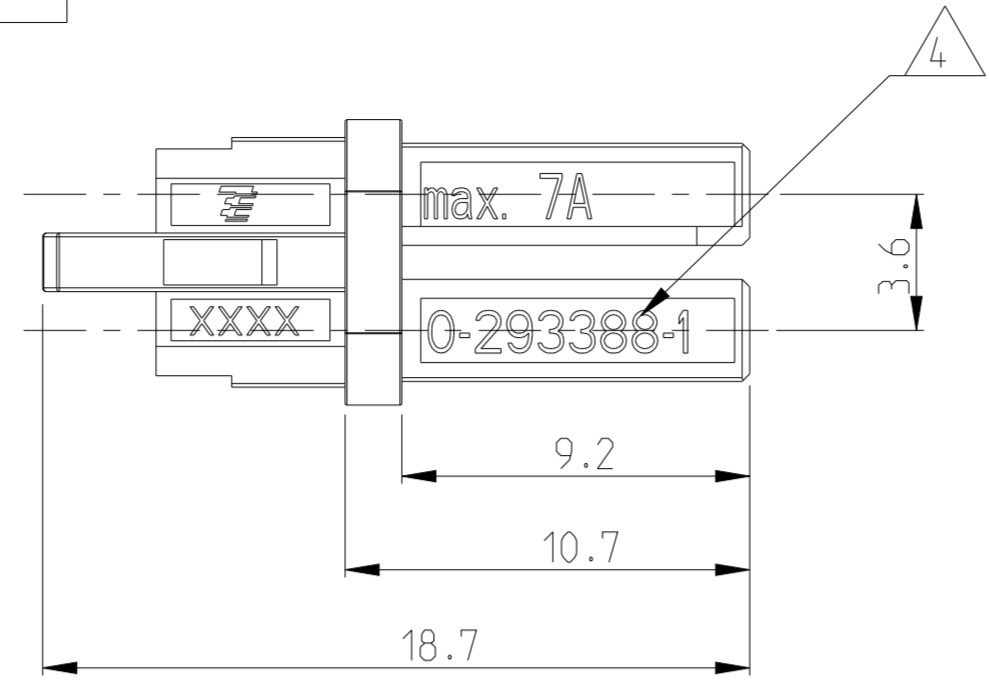


REVISIONS					
P	LTR	DESCRIPTION	DATE	DWN	APVD
B		RELEASED FOR PRODUCTION	13MAY2011	AV	GT
F		REVISED PER ECR-16-005692	02JUN2016	RS	JL
G		REVISED PER ECR-16-017348	24FEB2017	RK	JL
G1		ADDED PART NUMBER -6	30OCT2019	MZ	MZ

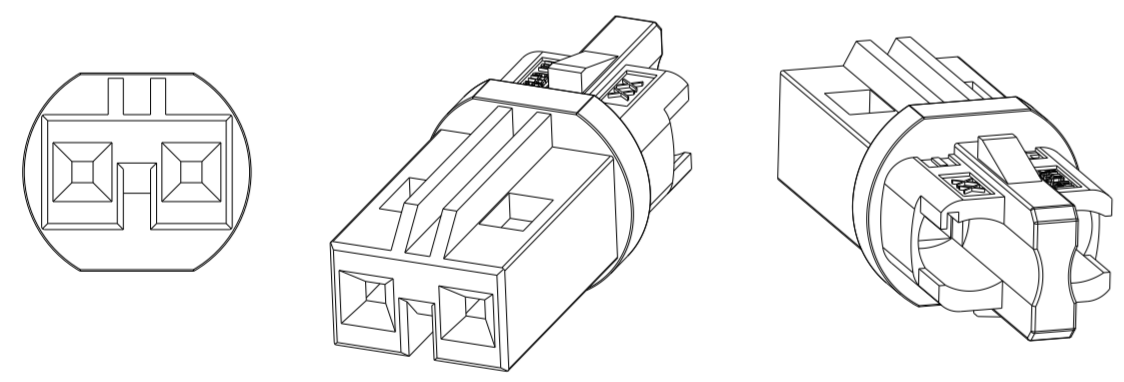


Remarks:

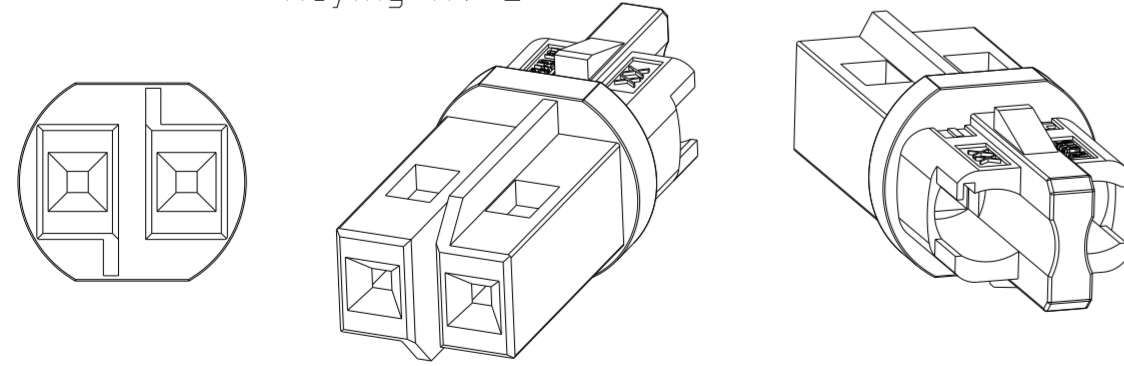
- 1. cavities designed for MQS socket contact PN 1740336-x
- 2. Counterpart is Outlet PN 293387-x
- 3. Polarity marking +/- permanent / usable for DC version
- 4. PN specific marking
- 5. P/N 293388-1 POLARIZATION HV-2 HAS TO BE USED FOR SWITCH APPLICATION ONLY
- 6. PBT, 15%GF, UL94 V0 WHITE COLOUR
- 7. PA, BLACK COLOUR
- 8. FOR SPECIAL APPLICATIONS IN EUROPE ONLY

P/N 293388-1 AS SHOWN

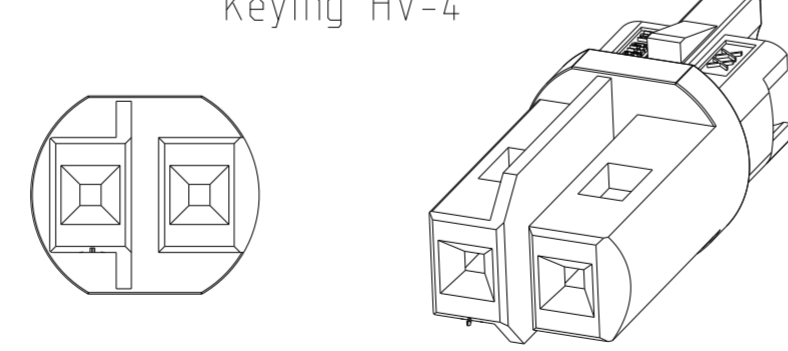
Keying LV-2



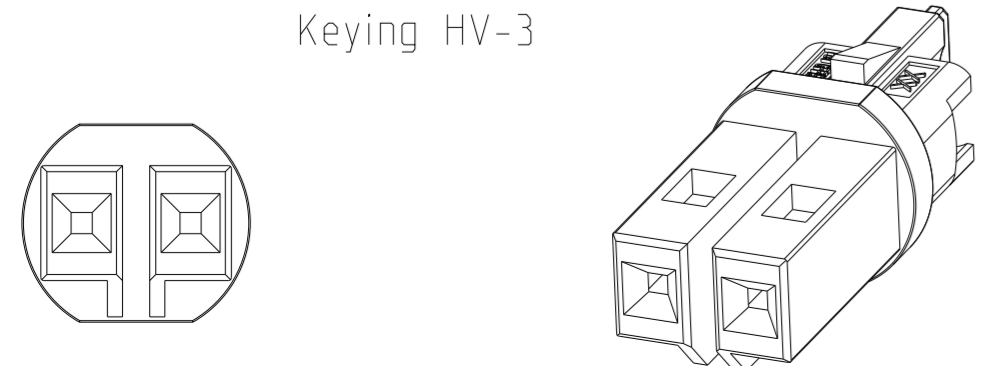
Keying HV-2



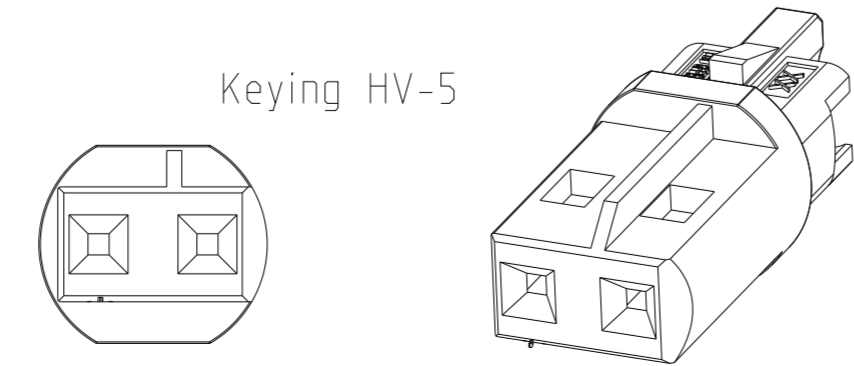
Keying HV-4



Keying HV-3



Keying HV-5



8	HV-4	BLACK	7	HIGH-VOLTAGE 125V AC	6A/125V AC~	293388-6
	LV-2	WHITE	6	LOW-VOLTAGE 125VAC/VDC	7A 125VAC/VDC=	293388-5
	HV-5	WHITE	6	HIGH-VOLTAGE 125V AC	6A/125V AC~	293388-4
	HV-4	WHITE	6	HIGH-VOLTAGE 125V AC	6A/125V AC~	293388-3
	HV-3	WHITE	6	HIGH-VOLTAGE 125V AC	6A/125V AC~	293388-2
5	HV-2	WHITE	6	HIGH-VOLTAGE 125V AC	6A/125V AC~	293388-1
Note	Keying	COLOR/MATERIAL	REMARKS	Marking 4	PN	

THIS DRAWING IS A CONTROLLED DOCUMENT.

DWN: A. Vecchia 11FEB2009
 CHK: G. Turco 11FEB2009
 APVD: G. Turco 11FEB2009

STE TE Connectivity

NAME: NECTOR S CONNECTOR SYSTEM PLUG

SIZE: A2 CAGE CODE: 00779 DRAWING NO: C-293388 RESTRICTED TO: -

WEIGHT: 0.4 g

CUSTOMER DRAWING SCALE: 4:1 SHEET: 1 OF 1 REV: G1