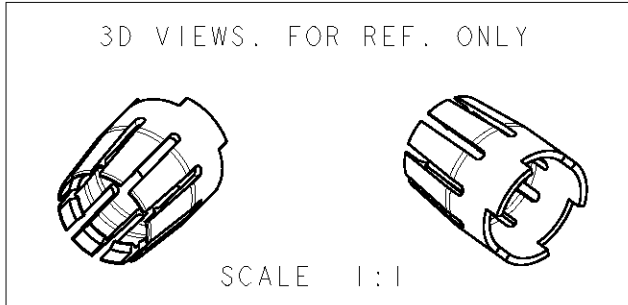
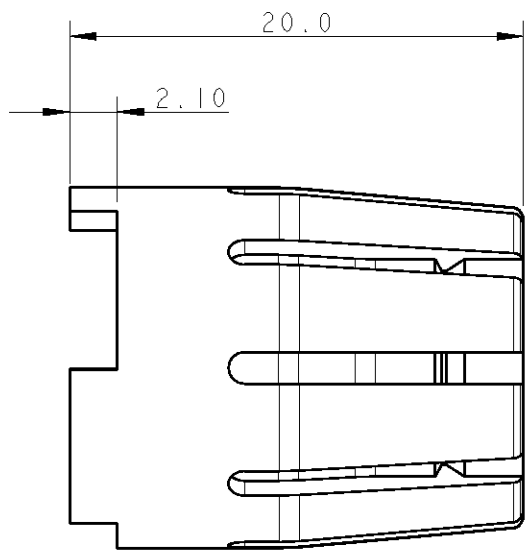
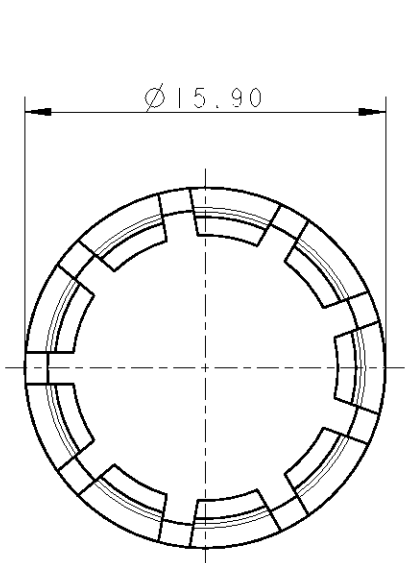


LOC	DIST	REVISIONS					
		P	LTR	DESCRIPTION	DATE	DWN	APVD
	-		B	REVISED	20JUN2011	MZ	GT
			BI	REVISED	28NOV2011	MZ	GT

**PRELIMINARY NOT YET TOOLED**



- NOTES:
- 1) MATERIAL: POLYAMIDE GLASS FILLED COLOUR NATURAL
  - 2) PACKAGING: T.B.D.

CABLE CLAMP NECTOR* M-LINE 3 POSITIONS	B	293478-1
DESCRIPTION	REV.	PART NUMBER

2011  
 RELEASED FOR PUBLICATION  
 THIS DRAWING IS UNPUBLISHED.  
 Tyco Electronics AMP Italia  
 ALL RIGHTS RESERVED.  
 COPYRIGHT 2011

DIMENSIONS: mm	DWN M. ZUCCA	20JUN2011	MATERIAL	NOTE 1	FINISH	-
	CHK M. ZUCCA	20JUN2011	TE Connectivity			
TOLERANCES UNLESS OTHERWISE SPECIFIED:	APVD G. TURCO	20JUN2011				
0 PLC ±-	PRODUCT SPEC	-	SIZE	CAGE CODE	DRAWING NO	RESTRICTED TO
1 PLC ±0.3	APPLICATION SPEC	-	A400779	C=293478		-
2 PLC ±0.20	WEIGHT	-	CUSTOMER DRAWING			
3 PLC ±-			SCALE	3:1	SHEET	1 OF 1
4 PLC ±-						REV BI
ANGLES ±3°						