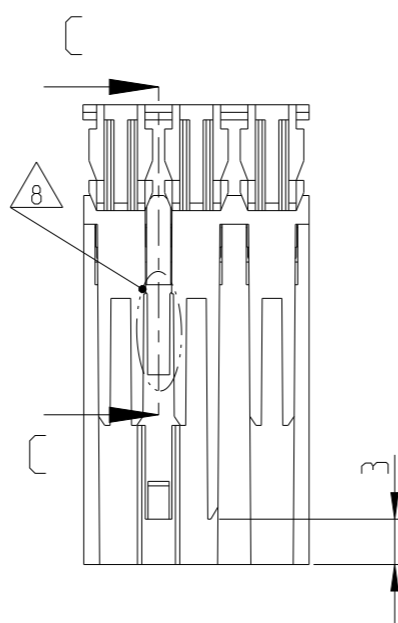
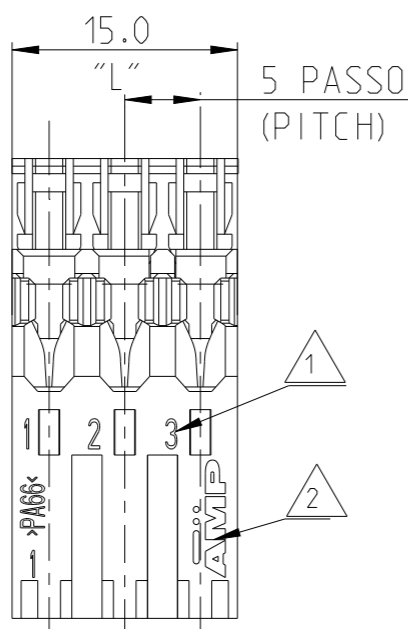
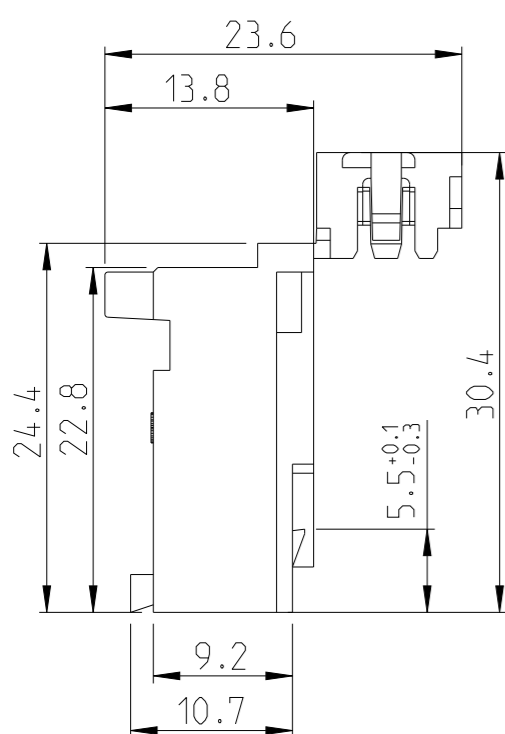
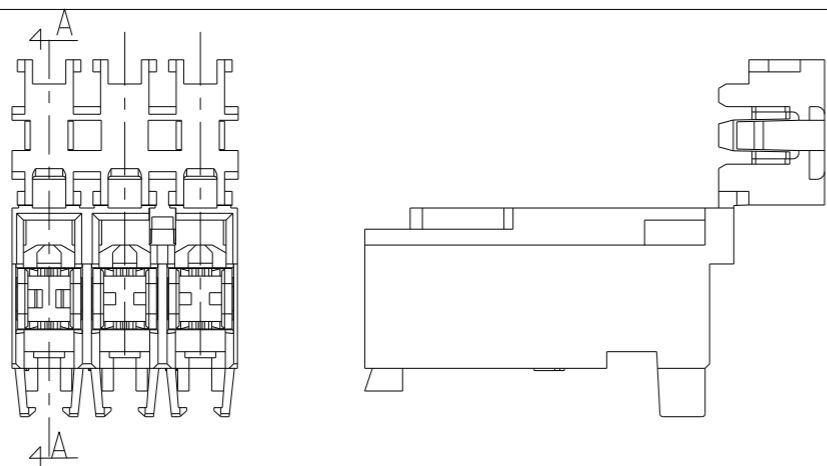


LOC	DIST
1	-

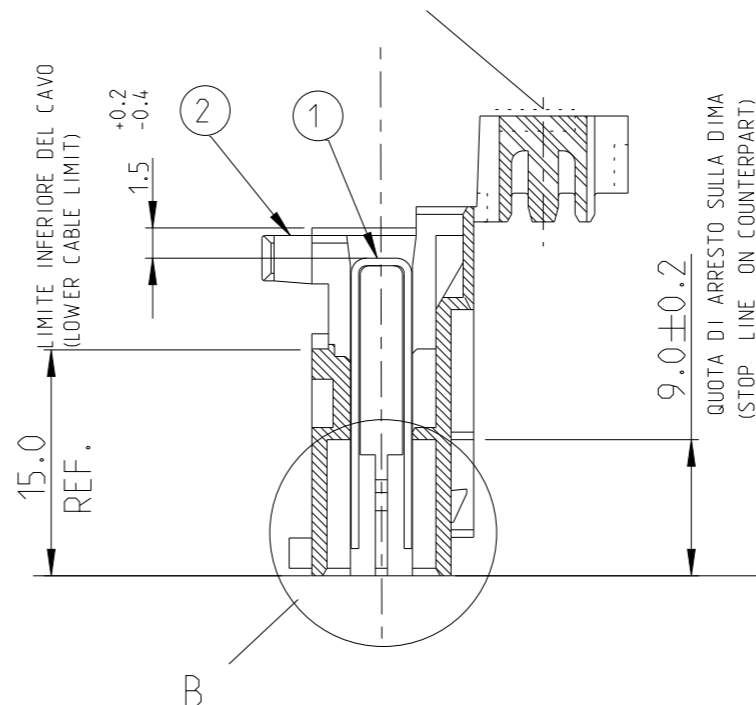
REVISIONS

P	LTR	DESCRIPTION	DATE	DWN	APVD
D6	ECR-22-128431		04FEB2022	SM	FL
D7	ECR-23-166323		03MAR2023	DC	FL
E	ECR-23-195739		22DEC2023	TL	FL
E2	ECN-24-281324		26AUG2024	TL	FL

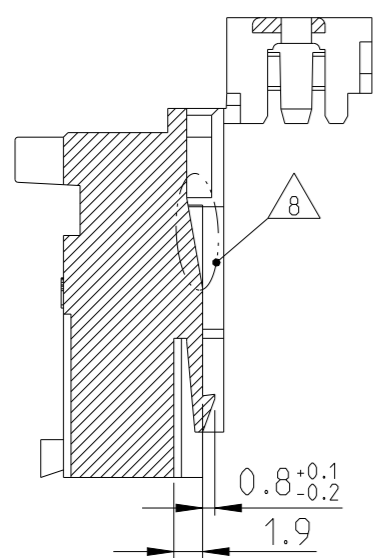
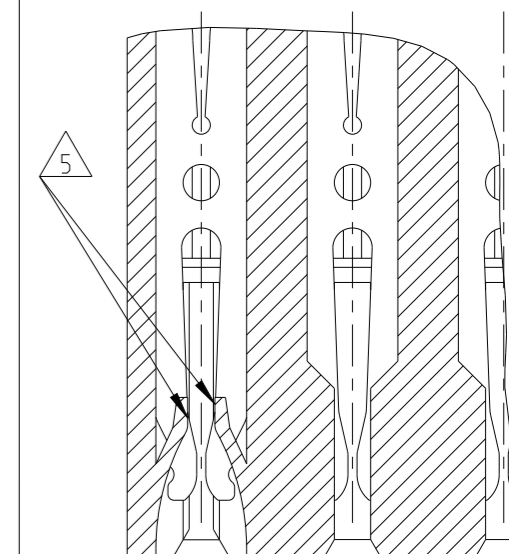


SEZ. A-A

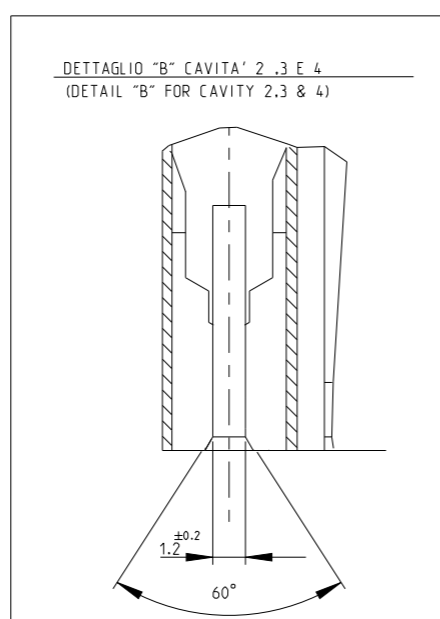
COLOR CODE STRIP ALLOCATO IN QUESTA AREA DEL COPERCHIO (COLOR CODE STRIP LOCATED ON THE COVER AS SHOWN)



DETTAGLIO "B" CAVITA' 1 DENTINI DI RITENZIONE PER CONTROPARTE TAB (DETAIL "B" FOR CAVITY 1 TAB RETENTION TEETH GEOMETRY)



SECTION C-C 2:1



2	BLOCCETTO (HOUSING)	NATURALE (NATURAL)	PA 6.6 CARICATO VETRO (POLIAMIDE 6.6 GLASSFIBER FILLED)
1	CONTATTO (CONTACT)	STAGNATO (TIN-PLATED)	OTTONE (BRASS)
ITEM	DENOMINAZIONE (DESCRIPTION)	FINITURA / COLORE (FINISH / COLOUR)	MATERIALE (MATERIAL)
			DIAM. ISOLANTE (INS. DIA. RANGE) 3.0 max. RANGO FILO (WIRE RANGE) 0.5-1.5mm2

THIS DRAWING IS A CONTROLLED DOCUMENT.

DWN C.CORDOLA 02DEC2008

CHK G.TURCO 02DEC2008

APVD -

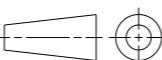
NAME



MONO SHAPE MK I TAB SPECIAL 2-8 POS REAR LOCKING

DIMENSIONS: mm

TOLERANCES UNLESS OTHERWISE SPECIFIED:



0 PLC	±	±0.3
1 PLC	±	
2 PLC	±	
3 PLC	±	
4 PLC	±	
ANGLES		±0° 30'
FINISH		SEE TABLE

MATERIAL SEE TABLE

SEE TABLE

PRODUCT SPEC 108-20065-1 108-20065-2

APPLICATION SPEC 114-20016 114-20016-1

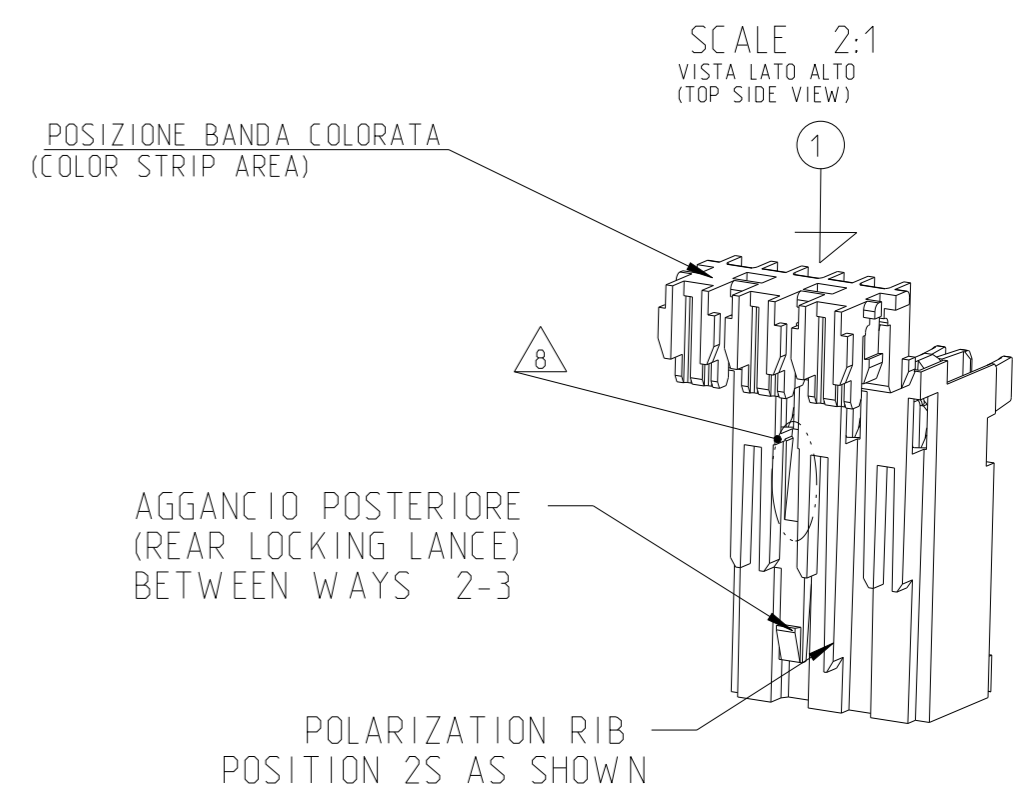
WEIGHT -

SIZE CAGE CODE DRAWING NO RESTRICTED TO

A3 00779 C=293491

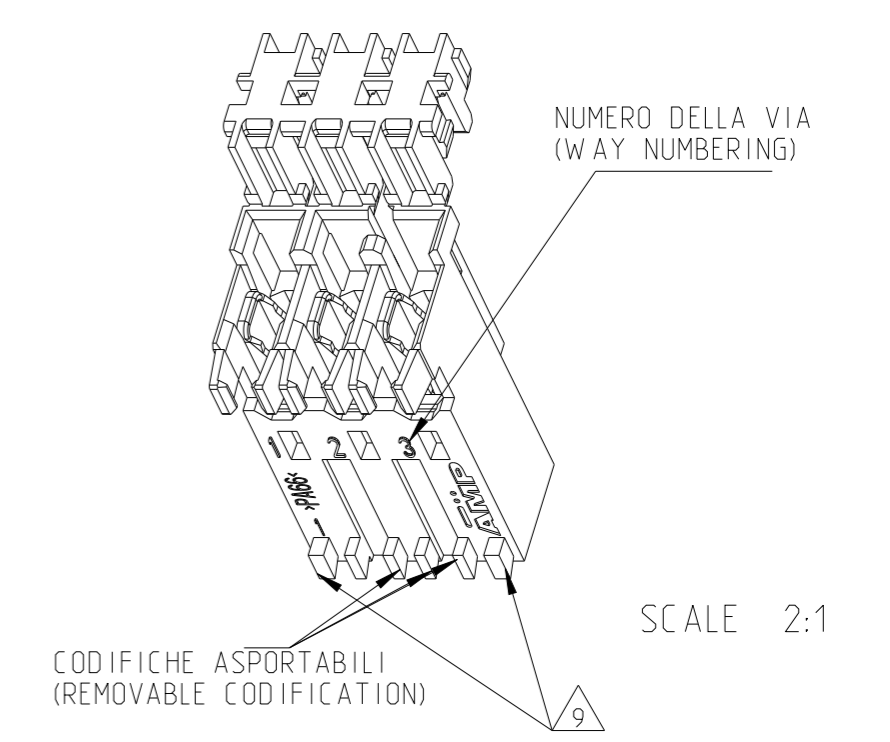
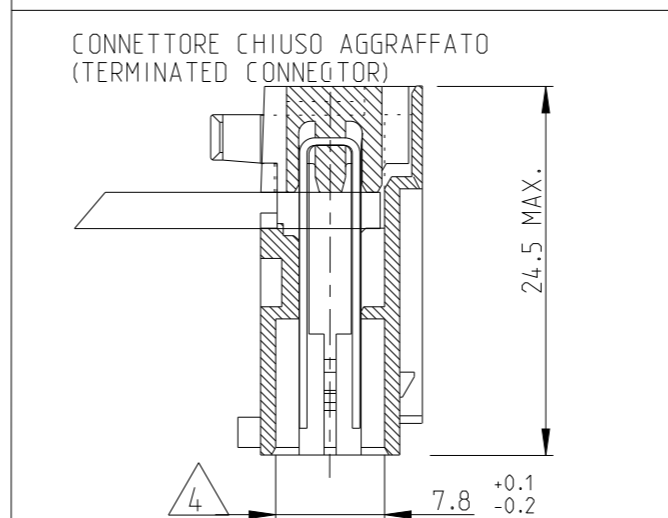
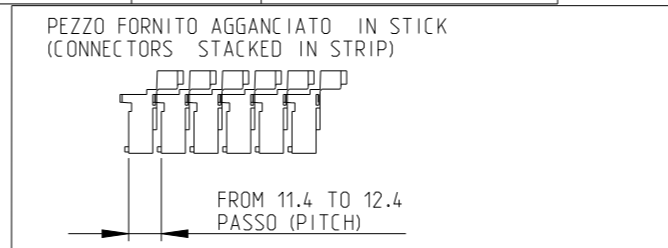
CUSTOMER DRAWING SCALE 2:1 SHEET 1 OF 3 REV E2

NUMERO DI VIE	CONFIGURAZIONE (Vista connettore dall'alto)	VERSIONE PEZZI IN VASSOIO	PART REV.	VERSIONE PEZZI SCIOLTI	PART REV.	POSIZIONE AGGANCIAMENTO (LATO POSTERIORE)	POSIZIONE POLARIZZAZIONE (LATO POSTERIORE) (SE PRESENTE)	L +0.2 -0.3 (mm)	NOTE MARCHIATURA CON BANDA COLORATA
NO OF POS	CONFIGURATION (View from top side)	TRAY PACKAGING VERSION		LOOSE PIECES PACKAGING VERSION		LOCKING POSITION (Back side)	POSITION FOR POLARIZATION ON BACK SIDE (IF PRESENT)		NOTE STRIP COLOUR
2		0-293491-2	D	-	-	1-2	1S-2D	9.9	-
2		1-293491-2	D	-	-	1-2	1S	9.9	-
2		2-293491-2	D	-	-	1-2	-	9.9	-
3		0-293491-3	D	-	-	2-3	2S	14.9	-
3		1-293491-3	D	-	-	1-2	1S-2D	14.9	BLACK
4		0-293491-4	D	-	-	1-2, 3-4	1S,2D,3S	19.9	-
4		1-293491-4	D	-	-	1-2, 3-4	1S,2D	19.9	-
8		0-293491-8	D	-	-	1-2, 7-8	2D,3S,6D,7S	39.9	-



NOTE/NOTES:

- 1) NUMERI DI IDENTIFICAZIONE CAVITA' (CIRCUIT IDENTIFICATION)
- 2) MARCHIO DI FABBRICA (LIBERA POSIZIONE). (TRADE MARK LOGO FREE POSITION)
- 3) L'AGGANCIAMENTO DELLA LINGUETTA E' POSIZIONATO SOLO NELLA CAVITA' N.1 (VEDI ANCHE NOTA 5) ED E' PRESENTE SOLO PER I CONNETTORI DI 2, 3 E 4 VIE. (THE RETENTION TOOTH IS LOCATED ONLY IN CAVITY N.1 (SEE ALSO NOTE 5) AND IS PRESENT ONLY FOR CONNECTORS WITH 2, 3 AND 4 POSITIONS).
- 4) DIVENTA 6.5 PER LA CAVITA' N. 1 SUI CONNETTORI (BECOMES 6.5. FOR THE CAVITY N.1)
- 5) GEOMETRIA ALTERNATIVA E OPZIONALE DEL DENTINO DI AGGANCIAMENTO (ALTERNATIVE AND OPTIONAL SHAPE FOR RETENTION TOOTH)
- 6) STATO DI FORNITURA: CONFEZIONAMENTO IN "VASSOI + SCATOLA" (PACKAGING: "ON TRAY PLUS CARTON BOX")
- 7) PRELIMINARY- PART NOT YEST RELEASED FOR PRODUCTION
- 8) SLIDE PROFILE (WEDGE SHAPE SLOT) ON THE AREA ABOVE THE LOCKING LANCE GEOMERTY TO FACILITATE UN-CHAINING PROCESS.
- 9) DIFFERENT CODING RIB GEOMETRY AT BOTH END. WIDTH OF CODING RIB REDUCED TO 1.1 mm FOR ALL REAR LOCKING VERSIONS
- 10) OBSOLETE
- 11) WITHOUT 2 WIRE RETENTION HOOKS ON 2 ENDS. SEE SHEET 3
- 12) SPECIAL CIRCUITE INDENTIFICATION, WHICH IS OPPOSITE FROM STANDARD ONE. SEE SHEET 3



THIS DRAWING IS A CONTROLLED DOCUMENT.

DWN C.CORDOLA 02DEC2008
 CHK G.TURCO 02DEC2008

APVD - -

PRODUCT SPEC 108-20065-1, 108-20065-2
 APPLICATION SPEC 114-20016, 114-20016-1

NAME MONO SHAPE MK I TAB SPECIAL 2-8 POS REAR LOCKING

SIZE A3 CAGE CODE 00779 DRAWING NO C-293491 RESTRICTED TO -

MATERIAL SEE TABLE FINISH SEE TABLE WEIGHT -

CUSTOMER DRAWING SCALE 2:1 SHEET 2 OF 3 REV E2

THIS DRAWING IS UNPUBLISHED.

RELEASED FOR PUBLICATION

2008

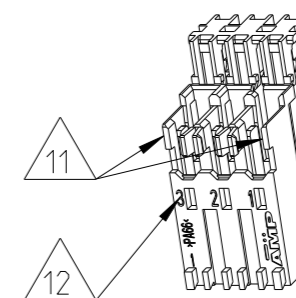
© COPYRIGHT 2008

ALL RIGHTS RESERVED.

LOC	DIST	REVISIONS			
P	LTR	DESCRIPTION	DATE	DWN	APVD
		SEE SHEET 1			

PA GF, UL-VO GWEPT 750 °C NO FLAME, NATURAL
TWO ALTERNATIVE RESINS

NO OF POS	CONFIGURATION (View from top side)	TRAY PACKAGING VERSION	PART REV	LOOSE PIECES PACKAGING VERSION	PART REV	LOCKING POSITION (Back side)	POSITION FOR POLARIZATION ON BACK SIDE (IF PRESENT)	L +0.2 -0.3 (mm)	NOTE STRIP COLOUR
2		2297762-2	D	-	-	1-2	1S-2D	9.9	-
		1-2297762-2	1	-	-	1-2	1S	9.9	-
3		2297762-3	1	-	-	1-2	1S-2D	14.9	-
3		1-2297762-3	D	-	-	1-2	1D-2S-3D	14.9	-
4		2297762-4	D	-	-	1-2, 3-4	1D-2S-3D	19.9	-
4		1-2297762-4	D	-	-	1-2, 3-4	1D-2S-3D	19.9	-
5		2297762-5	1	-	-	2-3, 4-5	2S-4S	24.9	-
5		1-2297762-5	1	-	-	2-3, 4-5	2S-4S	24.9	-
8		2297762-8	1	-	-	TBD	TBD	39.9	-



NUMERO DI VIE	CONFIGURAZIONE (Vista connettore dall'alto)	VERSIONE PEZZI IN VASSOIO	PART REV.	VERSIONE PEZZI SCIOLTI	PART REV	POSIZIONE AGGANCI O (LATO POSTERIORE)	POSIZIONE POLARIZZAZIONE (LATO POSTERIORE) (SE PRESENTE)	L +0.2 -0.3 (mm)	NOTE MARCHIATURA CON BANDA COLORATA
NO OF POS	CONFIGURATION (View from top side)	TRAY PACKAGING VERSION	PART REV.	LOOSE PIECES PACKAGING VERSION	PART REV	LOCKING POSITION (Back side)	POSITION FOR POLARIZATION ON BACK SIDE (IF PRESENT)		NOTE STRIP COLOUR
4		1-2469935-4	1	-	-	1-2, 3-4	1S,2D	19.9	-

THIS DRAWING IS A CONTROLLED DOCUMENT.		DWN	C.CORDOLA 02DEC2008	
		CHK	G.TURCO 02DEC2008	
DIMENSIONS: mm		APVD	-	
TOLERANCES UNLESS OTHERWISE SPECIFIED:		PRODUCT SPEC	-	
0 PLC ±		APPLICATION SPEC	-	
1 PLC ±		WEIGHT	-	
2 PLC ±		CUSTOMER DRAWING	-	
3 PLC ±		SCALE	2:1	
4 PLC ±		SHEET	3 OF 3	
ANGLES ± 0° 30'		REV	E2	
FINISH SEE TABLE		TE Connectivity MONO SHAPE MK I TAB SPECIAL 2-8 POS REAR LOCKING		
MATERIAL SEE TABLE		SIZE	CAGE CODE	DRAWING NO
		A3	00779	©-293491
		RESTRICTED TO	-	