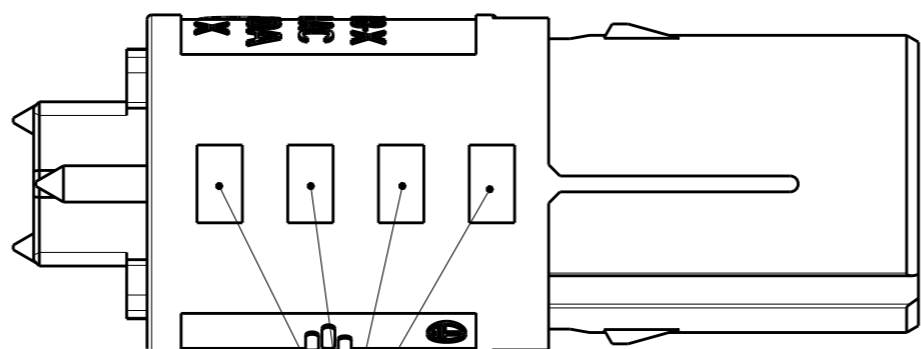


THIS DRAWING IS UNPUBLISHED. RELEASED FOR PUBLICATION 2011
 © COPYRIGHT 2011 BY - ALL RIGHTS RESERVED.

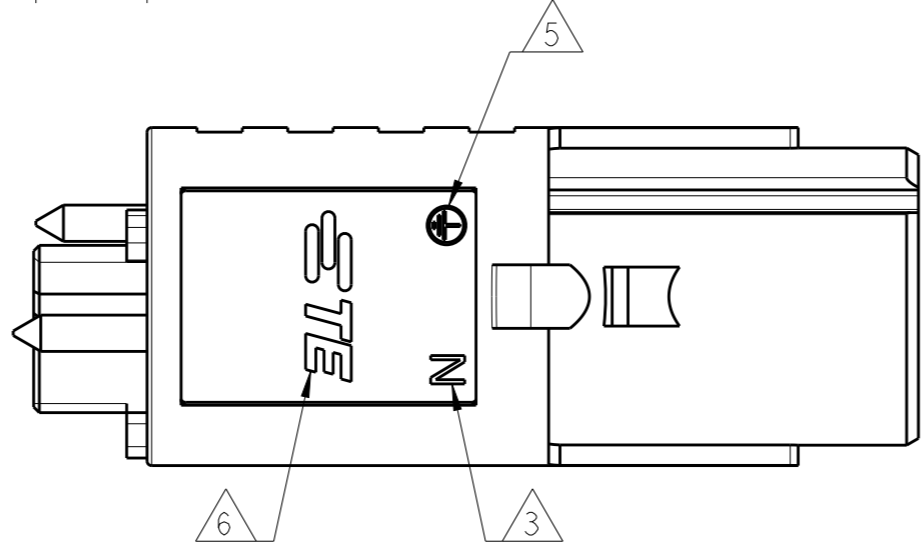
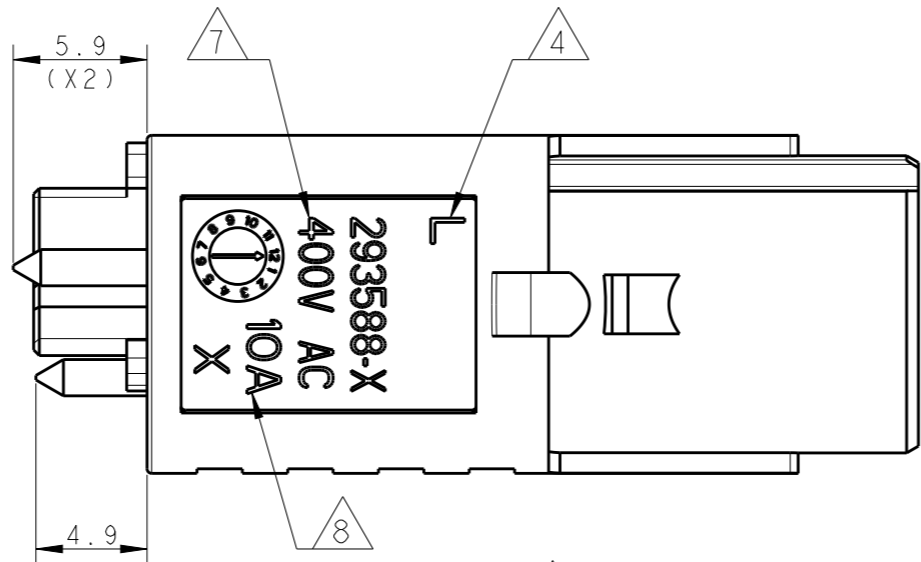
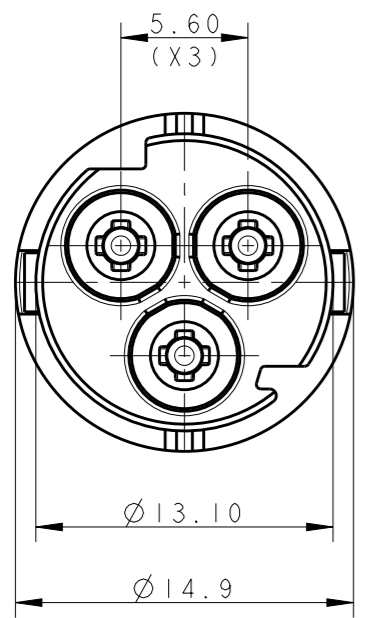
LOC	DIST	REVISIONS					
		P	LTR	DESCRIPTION	DATE	DWN	APVD
1	-	E		UPDATED	20FEB2013	MZ	JC
		F		PARTS -1, -2, -3 RELEASED FOR PRODUCTION	27JUN2013	KR	JC
		F1		REVISED PART NUMBERS	17JUL2017	SK	MZ
		F2		REVISED PER ECR-18-006945	20SEP2018	SR	MZ



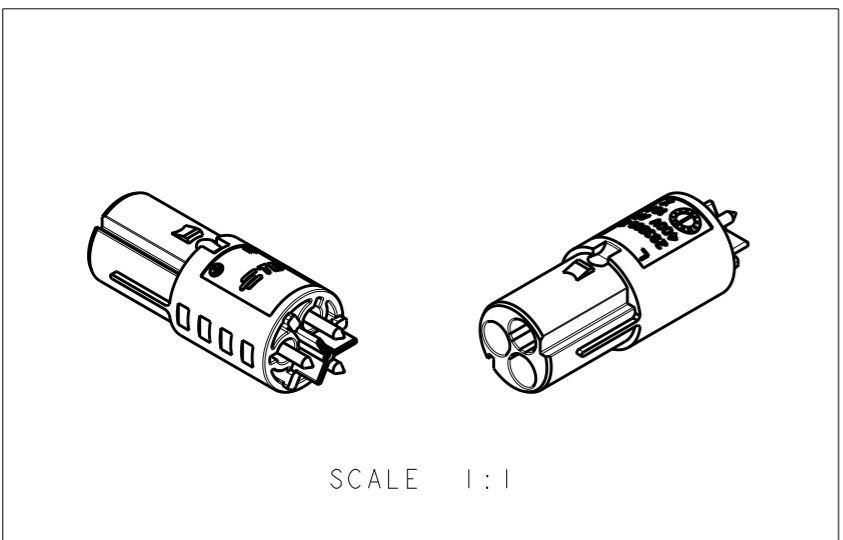
VISUAL INDICATOR FOR PE CONDUCTOR

- NOTES:
- 1) MATERIAL: POLYAMIDE GLASS FILLED COLOUR NATURAL
 - 2) PACKAGING: SEE TE PACKAGING SPECIFICATION 107-20294



- △3 N CODE
- △4 L CODE
- △5 PE CODE
- △6 TE LOGO
- △7 RATED VOLTAGE
- △8 RATED CURRENT



OBSOLETE	NATURAL	D	PIN CONNECTOR PCB 90 DEG NECTOR* M-LINE	I	293590-4
	NATURAL	C	PIN CONNECTOR PCB 90 DEG NECTOR* M-LINE	F	293590-3
	NATURAL	B	PIN CONNECTOR PCB 90 DEG NECTOR* M-LINE	F	293590-2
	NATURAL	A	PIN CONNECTOR PCB 90 DEG NECTOR* M-LINE	F	293590-1
	COLOUR	POL. KEYING	DESCRIPTION	REV.	PART NUMBER



THIS DRAWING IS A CONTROLLED DOCUMENT.

DIMENSIONS: mm	TOLERANCES UNLESS OTHERWISE SPECIFIED:	DWN M. ZUCCA 28OCT2009	 TE Connectivity
	0 PLC ±-	CHK M. ZUCCA 28OCT2009	
	1 PLC ±0.3	APVD G. TURCO 28OCT2009	
MATERIAL -	FINISH -	PRODUCT SPEC 108-20304	
		APPLICATION SPEC 114-20152	NAME PIN CONNECTOR PCB VERTICAL VERSION NECTOR* M-LINE 3 POS. UNSEALED
		WEIGHT -	SIZE A3 CAGE CODE 00779 DRAWING NO C-293590 RESTRICTED TO -
		Customer Drawing	SCALE 3:1 SHEET 1 OF 3 REV F2

THIS DRAWING IS UNPUBLISHED.

RELEASED FOR PUBLICATION

2011

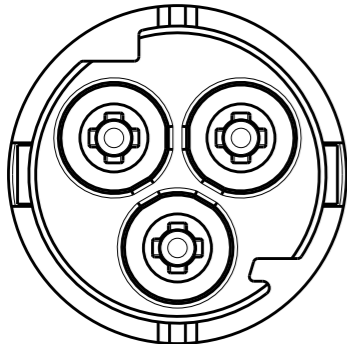
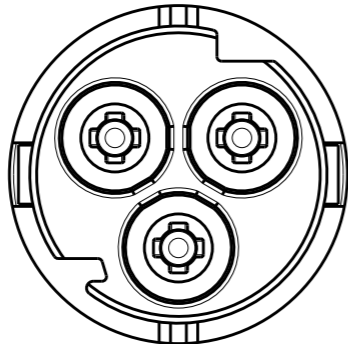
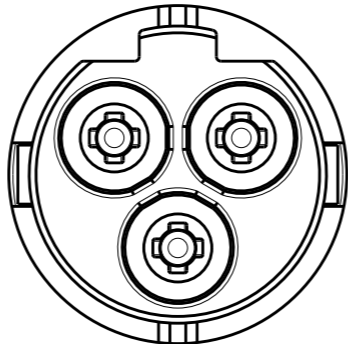
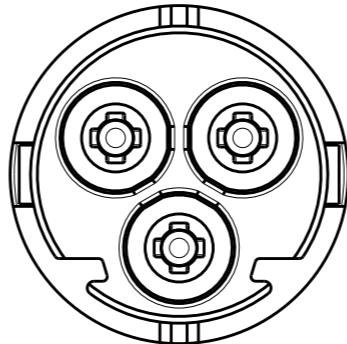
© COPYRIGHT 2011 BY -


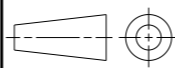
ALL RIGHTS RESERVED.

LOC	DIST
1	-

REVISIONS					
P	LTR	DESCRIPTION	DATE	DWN	APVD
-	-	SEE SHEET 1	-	-	-

POLARIZATION KEYS

TYPE "A"	TYPE "B"	TYPE "C"	TYPE "D"
P/N 293590-1 AS SHOWN	P/N 293590-2 AS SHOWN	P/N 293590-3 AS SHOWN	P/N 293590-4 AS SHOWN
			

THIS DRAWING IS A CONTROLLED DOCUMENT.		DWN M. ZUCCA 28OCT2009	 TE Connectivity	
DIMENSIONS: mm		CHK M. ZUCCA 28OCT2009		
TOLERANCES UNLESS OTHERWISE SPECIFIED:		APVD G. TURCO 28OCT2009	NAME PIN CONNECTOR PCB VERTICAL VERSION NECTOR* M-LINE 3 POS. UNSEALED	
		PRODUCT SPEC 108-20304	SIZE A300779	
MATERIAL -		APPLICATION SPEC 114-20152	DRAWING NO C-293590	
FINISH -		WEIGHT -	RESTRICTED TO -	
Customer Drawing		SCALE 3:1	SHEET 2 OF 3 REV F2	

THIS DRAWING IS UNPUBLISHED.

RELEASED FOR PUBLICATION

2011

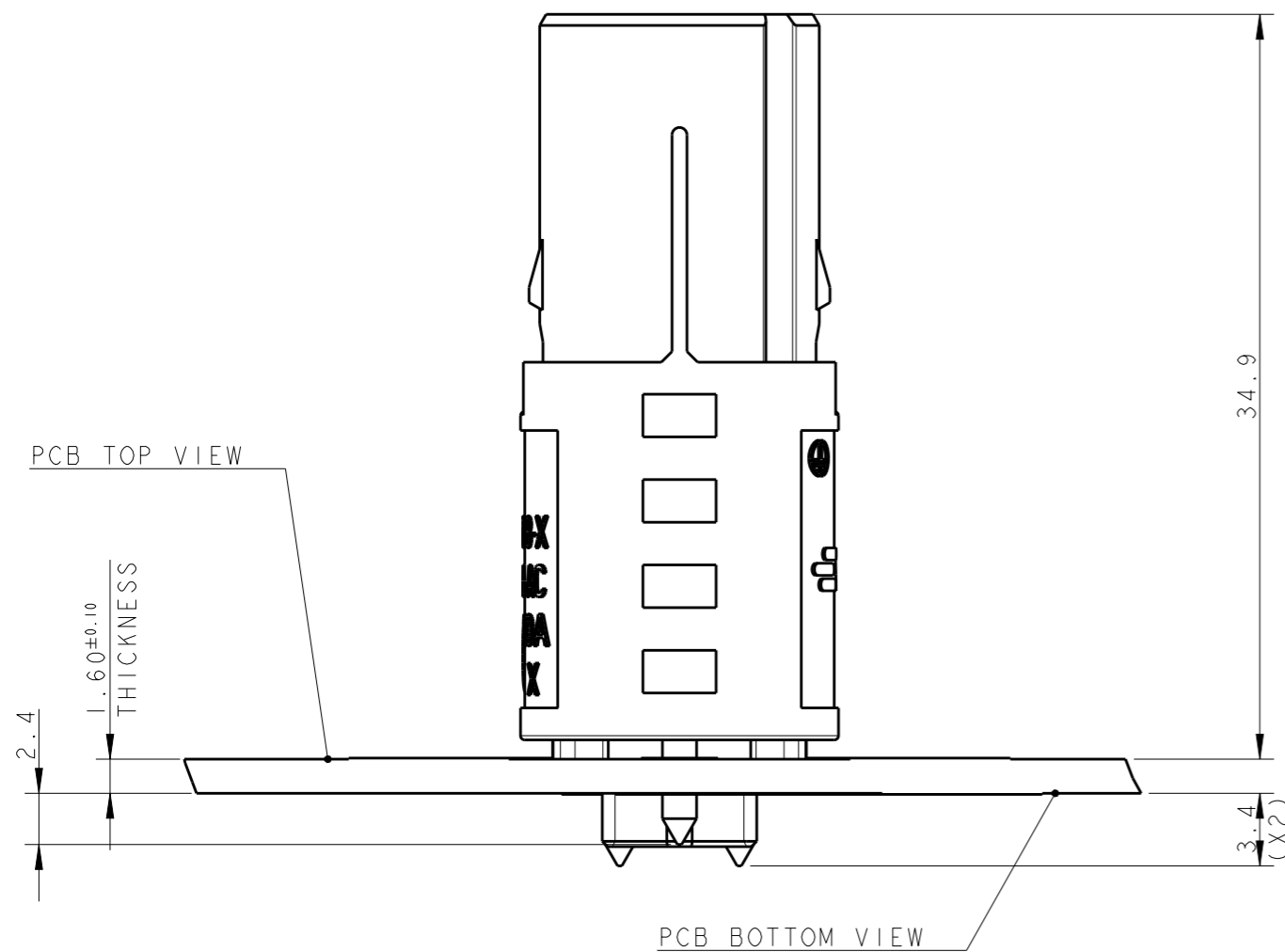
© COPYRIGHT 2011 BY -

ALL RIGHTS RESERVED.

LOC	DIST
1	-

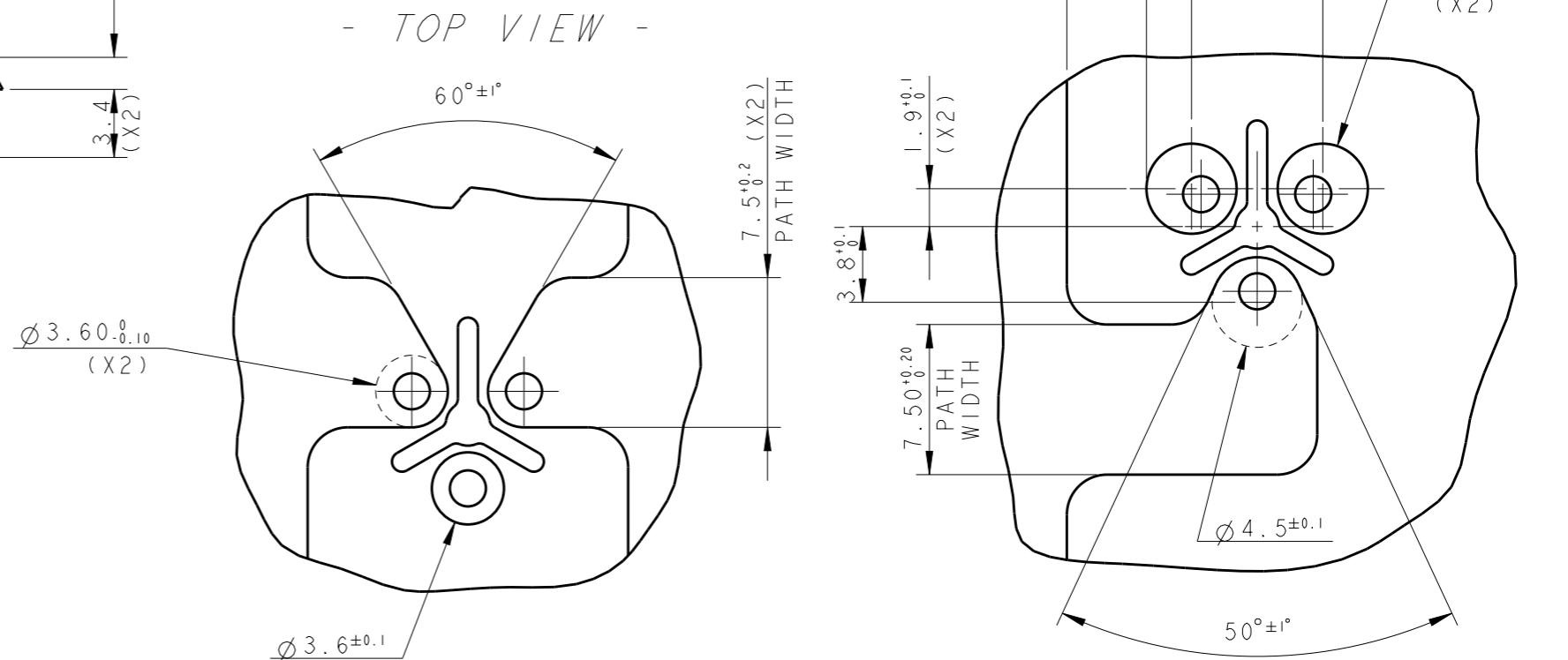
REVISIONS

P	LTR	DESCRIPTION	DATE	DWN	APVD
-	-	SEE SHEET 1	-	-	-

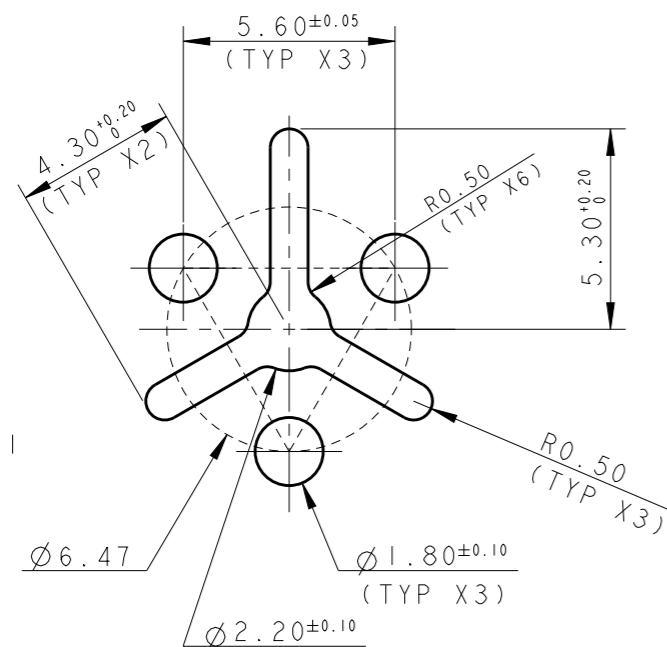


SUGGESTED L, N AND PE TRACKS LAYOUT ON PCB


- BOTTOM VIEW -



SUGGESTED PCB LAYOUT



SCALE 5:1

THIS DRAWING IS A CONTROLLED DOCUMENT.		DWN M. ZUCCA 28OCT2009	 TE Connectivity	
DIMENSIONS: mm		CHK M. ZUCCA 28OCT2009		
TOLERANCES UNLESS OTHERWISE SPECIFIED:		APVD G. TURCO 28OCT2009	NAME PIN CONNECTOR PCB VERTICAL VERSION NECTOR* M-LINE 3 POS. UNSEALED	
0 PLC ±-		PRODUCT SPEC 108-20304	SIZE A300779	
1 PLC ±0.3		APPLICATION SPEC 114-20152	CAGE CODE C-293590	
2 PLC ±0.20		WEIGHT -	DRAWING NO -	
3 PLC ±-		Customer Drawing	RESTRICTED TO -	
4 PLC ±-			SCALE 3:1	SHEET 3 OF 3
ANGLES ±3°				
MATERIAL -				
FINISH -				