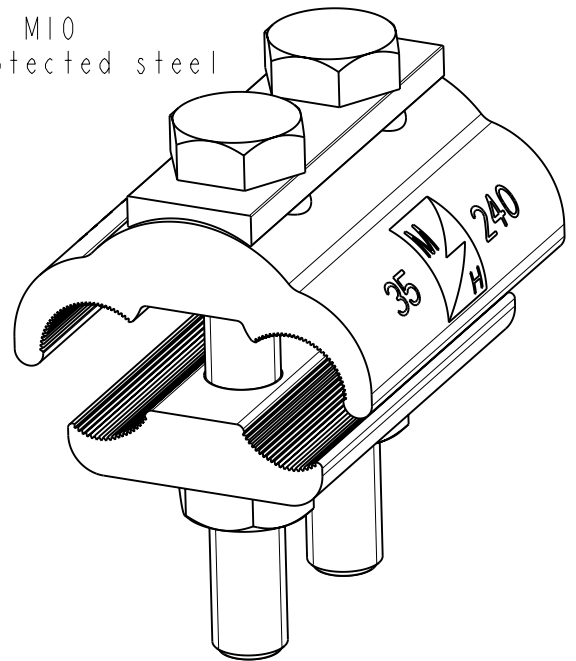
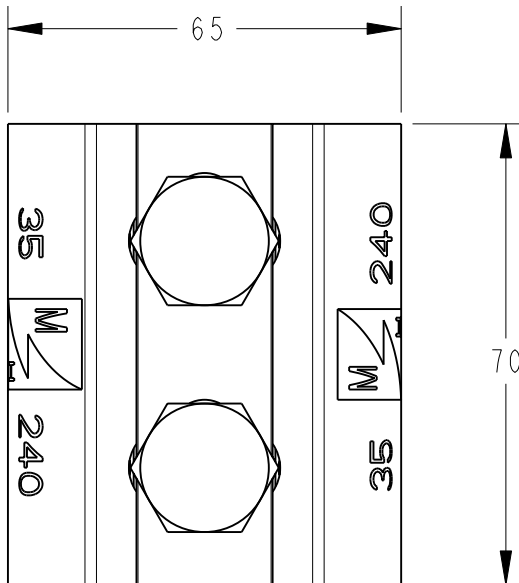
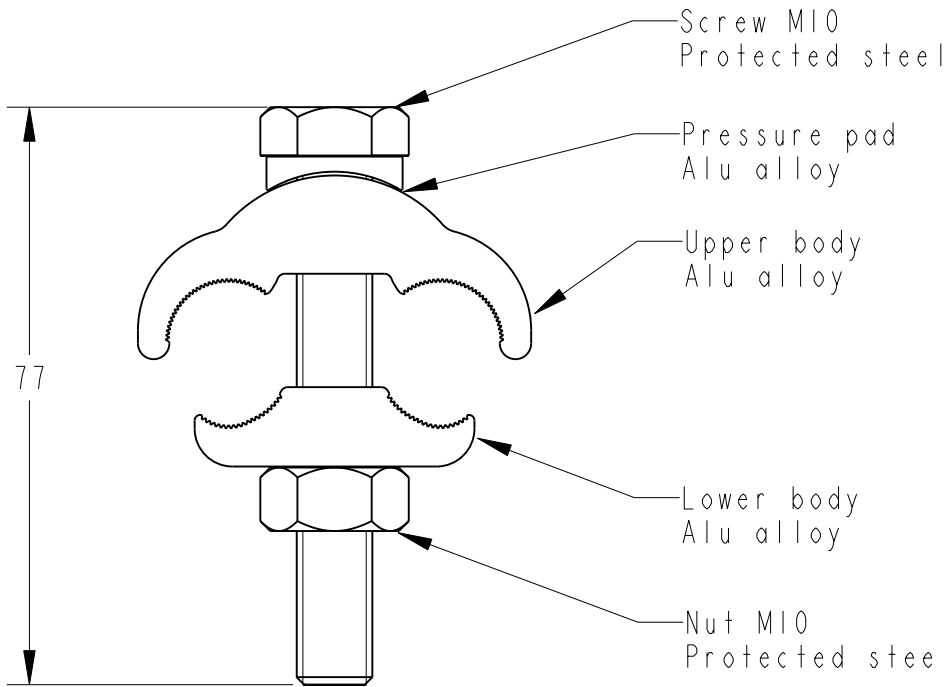


LOC	DIST	REVISIONS				
P	LTR REV	DESCRIPTION MODIFICATIONS	DATE	DWN DESS.	APVD APP.	
FH	2	B	TIGHTENING TORQUE ADDED	03FEB2009	LP GS	
		C	TIGHTENING TORQUE ADDED	25MAR2010	BG GS	



Tightening torque : 44 N.m
 Capacity: 35-240mm²

HEL-3594	3-1199006-8	437540-000
DESCRIPTION	PART NUMBER	RPN

DIMENSIONS: mm	DWN/DESSINE L. PETRIGNET	03FEB2009	MATERIAL MATIERE	-	FINISH FINITION	-
	CHK/VERIFIE M. DOLLING	-	Tyco Electronics SIMEL			
TOLERANCES UNLESS OTHERWISE SPECIFIED: TOLERANCES NON SPECIFIEES (SUIV NB DE DECIMALES):	APVD/APPROUVE F. HARDT	-				
0 PLC/DEC: ±0	PRODUCT SPEC SPEC. PRODUIT	-	NAME TITRE			
1 PLC/DEC: ±0	APPLICATION SPEC SPEC. APPLICATION	-	HEL-3594			
2 PLC/DEC: ±0	WEIGHT MASSE APPROX.	- g	SIZE FORMAT	CAGE CODE	DRAWING NO No PLAN	RESTRICTED TO RESERVE A
3 PLC/DEC: ±0			A4	00779	©-3-1199006-8	-
4 PLC/DEC: ±0						
ANGLES ±-	CUSTOMER DRAWING /PLAN CLIENT		UNIQUEMENT POUR REFERENCE	SCALE ECHELLE	SHEET FEUILLE	OF DE
						REV C

20
 RELEASED FOR PUBLICATION
 LIBRE A LA DIFFUSION
 BY TYCO ELECTRONICS CORPORATION ALL INTERNATIONAL RIGHTS RESERVED.
 © COPYRIGHT 20