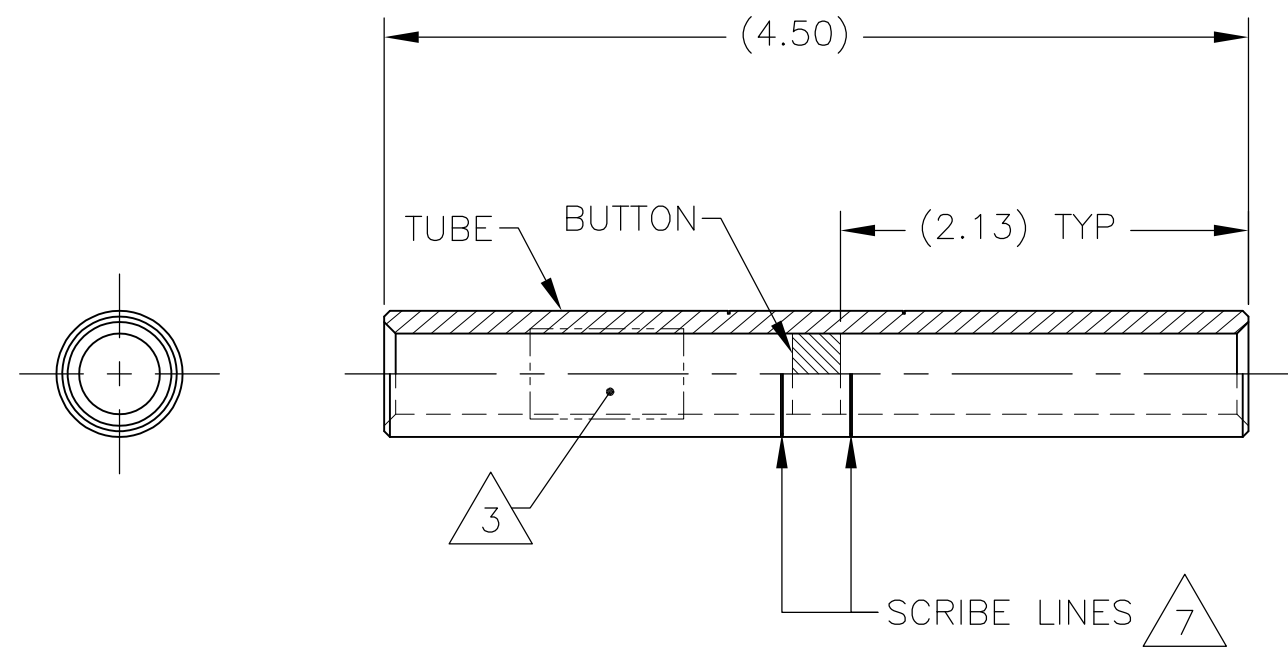



THIS DRAWING IS UNPUBLISHED. RELEASED FOR PUBLICATION
 © COPYRIGHT - BY TYCO ELECTRONICS CORPORATION. ALL RIGHTS RESERVED.

LOC	DIST	REVISIONS			
P	LTR	DESCRIPTION	DATE	DWN	APVD
	B	PER LC20-0086-08 / ECO-08-007825	07APR08	DM	BJ



- 1 MATERIAL:
ETP COPPER.
- 2. ACCOMMODATES:
1/0 AWG 7 STR COPPER
CONDUCTORS.
1/0 SOLID COPPER CONDUCTORS.
- 3 MARKING:

CKSN10P
1/0 STR, SOL
CSA 22 CU
[D/C]
- 4. HARDNESS:
SOFT TEMPERED.
- 5 FINISH:
NONE.
- 6. DIMENSIONS ARE FOR REFERENCE
ONLY.
- 7 DO NOT CRIMP BETWEEN SCRIBE
LINES.

L877	10838	CKSN10P	3-1199020-1
O.H. SPEC.	H.O. NO.	CAT. P/N	PART NO.

THIS DRAWING IS A CONTROLLED DOCUMENT.		DWN D. MURUGIAH 21FEB2006	Tyco Electronics Corporation Markham, ON L3R-1E1	
DIMENSIONS: INCHES		CHK A. BULZA 01MAR2006	NAME COPPER COMPRESSION REDUCING SPLICE, 1/0 AWG SOLID, 7 STR COPPER CONDUCTORS	
TOLERANCES UNLESS OTHERWISE SPECIFIED:		APVD B. JOHNSON 02MAR2006	PRODUCT SPEC -	
0 PLC ±		APPLICATION SPEC -		
1 PLC ±		SIZE A3		
2 PLC ±		CAGE CODE 00779		
3 PLC ±		DRAWING NO C-3-1199020-1		
4 PLC ±		RESTRICTED TO -		
ANGLES ±		SCALE NTS		
MATERIAL 1		SHEET 1 OF 1		
FINISH 5		REV B		
CUSTOMER DRAWING				