

4

3

2

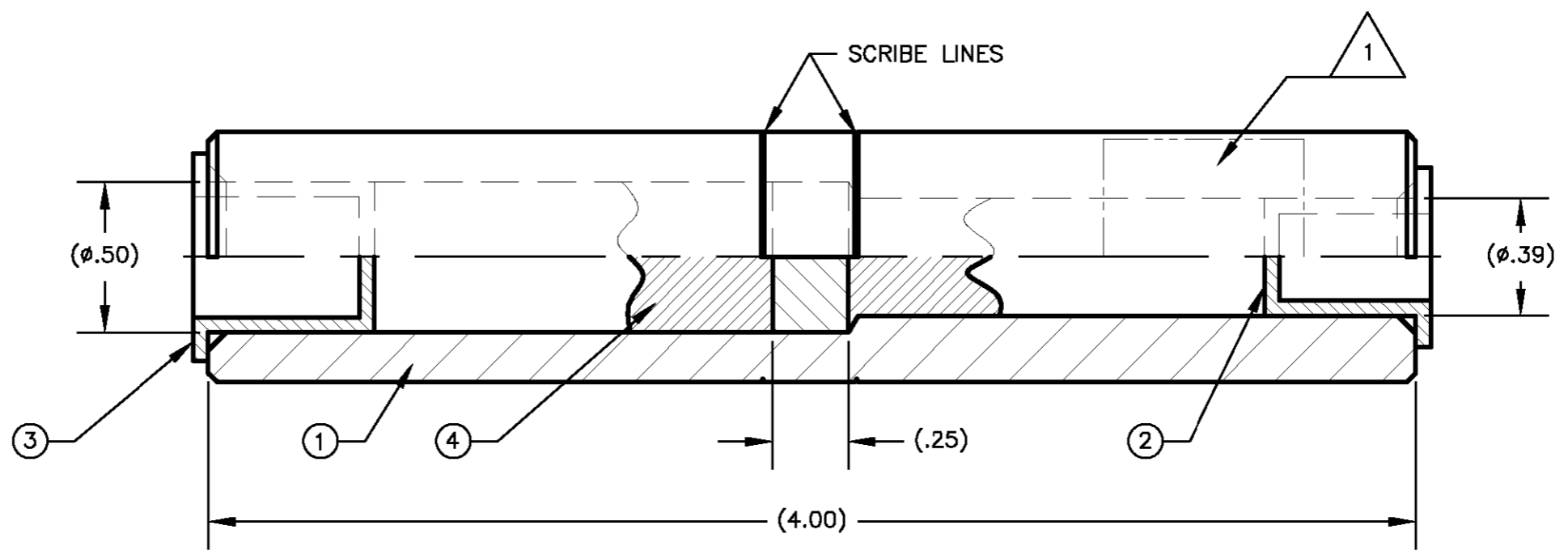
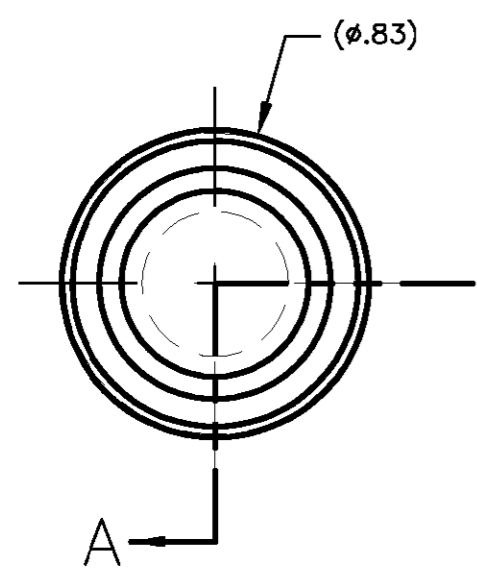
1

THIS DRAWING IS UNPUBLISHED. RELEASED FOR PUBLICATION
 © COPYRIGHT - BY TYCO ELECTRONICS CORPORATION. ALL RIGHTS RESERVED.

LOC	DIST	REVISIONS			
P	LTR	DESCRIPTION	DATE	DWN	APVD
GA	1	A	REVISED PER LC20-0219-04	18 NOV 04	DR BJ

1. LETTERING: STAMPED 3,2MM (0.12") MIN HIGH TO READ:
 TYCO 3-1199020-8
 KSR30P10TN
 3/0 SOL, COMP, STR
 1/0 SOL, COMP, STR
 CSA 24 [D/C]

2. ACCOMMODATES:
 3/0 AL/CU STD STR, COMPACT AND SOLID CABLE
 ø.410[ø10.4mm] TO ø.470[ø11.9mm]
 1/0 AL/CU STD STR, COMPACT AND SOLID CABLE
 ø.373[ø9.4mm] TO ø.325[ø8.3mm]



SECTION A-A

KSR30P10TN		3-1199020-8	
CAT NO.		PART NO.	
A/R	INHIBITOR		4
1	PLASTIC CAP		3
1	PLASTIC CAP		2
1	REDUCER, AL		1
-1	DESCRIPTION		ITEM No.
QTY		PARTS LIST	

THIS DRAWING IS A CONTROLLED DOCUMENT.		DWN V HOXHA 17 JAN 02	Tyco Electronics Corporation Markham, ON L3R 1E1	
DIMENSIONS: INCHES		CHK A BULZA 28 JAN 02		
TOLERANCES UNLESS OTHERWISE SPECIFIED:		APVD B JOHNSON 28 JAN 02	NAME ALUMINUM COMPRESSION REDUCER, 3/0 AL/CU STD STR, COMPACT & SOLID CABLES TO 1/0 AL/CU STD STR, CPT & SOLID	
0 PLC ± 1 PLC ± 2 PLC ± 3 PLC ± 4 PLC ± ANGLES ±		PRODUCT SPEC	SIZE A3	
MATERIAL AL ALLOY		FINISH TIN PLATE	CAGE CODE 00779	DRAWING NO C-3-1199020-8
		WEIGHT	RESTRICTED TO	
		CUSTOMER DRAWING	SCALE NTS	SHEET 1 OF 1 REV A