

4

3

2

1

THIS DRAWING IS UNPUBLISHED.

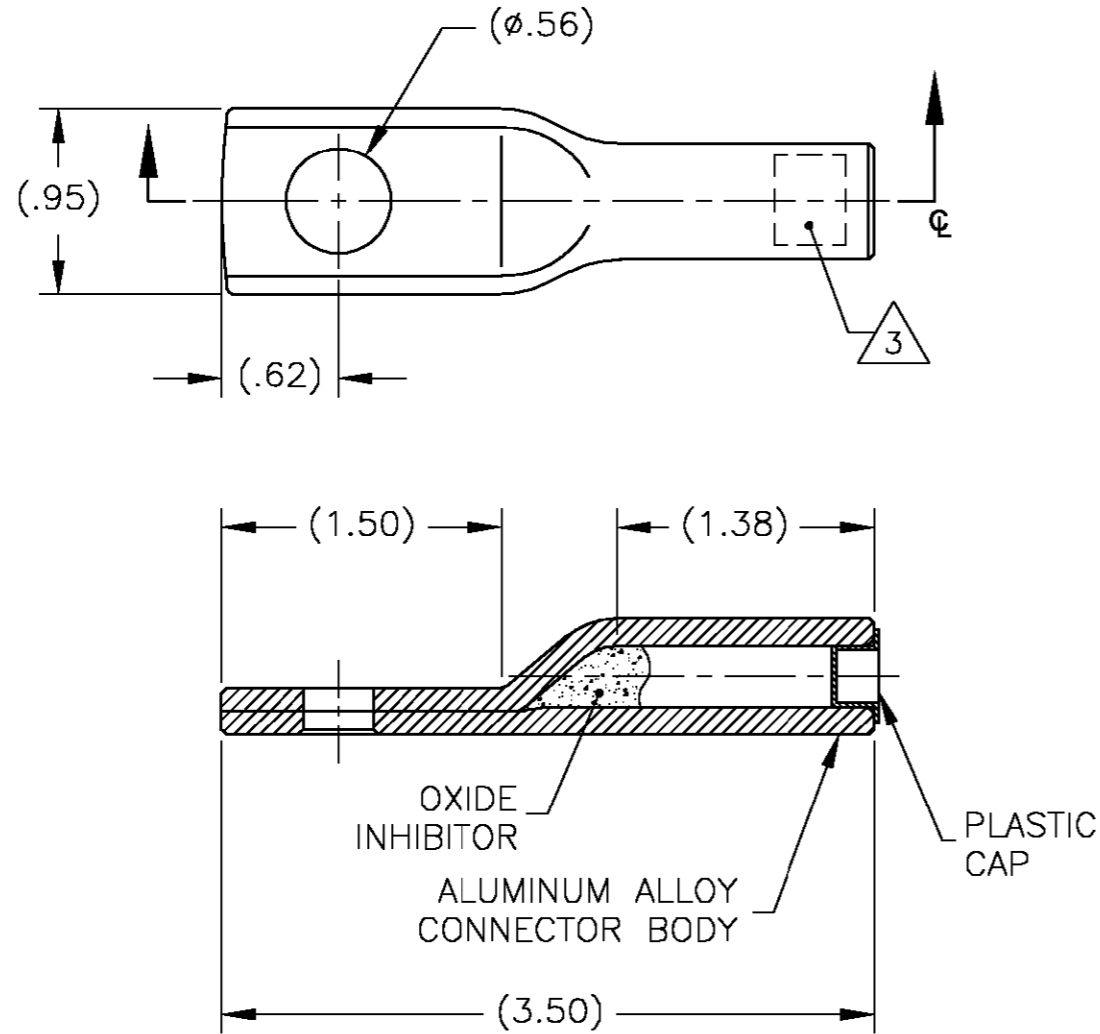
RELEASED FOR PUBLICATION

© COPYRIGHT BY TYCO ELECTRONICS CORPORATION. ALL RIGHTS RESERVED.

LDC GA DIST 1

REVISIONS

P	LTR	DESCRIPTION	DATE	DWN	APVD
0		INITIAL REL. PER LC20-0012-07	05JAN07	DM	BJ



- 1 MATERIAL:
ALUMINUM ALLOY.
- 2 ACCOMMODATES:
#2 AWG EXTRA FLEX. (.330 DIA, 175 STRANDS) COPPER CONDUCTORS.
- 3 MARKING:
TYCO 3-1199905-1
KLE2
2 AWG EXTRA FLEX
CSA 22
[D/C]
- 4 HARDNESS:
SOFT TEMPERED.
- 5 FINISH:
NONE.
- 6 ALL DIMENSIONS ARE FOR REFERENCE ONLY.

KLE2	3-1199905-1
CAT. P/N	TYCO P/N

THIS DRAWING IS A CONTROLLED DOCUMENT.		DWN D. MURUGIAH 05JAN2007	Tyco Electronics Corporation Markham, ON L3R-1E1													
DIMENSIONS: INCHES		CHK A. BULZA 21FEB2007	APVD B. JOHNSON 21FEB2007													
TOLERANCES UNLESS OTHERWISE SPECIFIED:		NAME ALUMINUM COMPRESSION LUG TERMINAL, 1 HOLE PAD, #2 AWG EXTRA FLEX COPPER CONDUCTORS														
<table border="0"> <tr><td>0 PLC</td><td>±</td></tr> <tr><td>1 PLC</td><td>±</td></tr> <tr><td>2 PLC</td><td>±</td></tr> <tr><td>3 PLC</td><td>±</td></tr> <tr><td>4 PLC</td><td>±</td></tr> <tr><td>ANGLES</td><td>±</td></tr> </table>		0 PLC	±	1 PLC	±	2 PLC	±	3 PLC	±	4 PLC	±	ANGLES	±	PRODUCT SPEC —		
0 PLC	±															
1 PLC	±															
2 PLC	±															
3 PLC	±															
4 PLC	±															
ANGLES	±															
MATERIAL		APPLICATION SPEC —														
FINISH		WEIGHT —														
1		A3 00779 C-3-1199905-1														
5		RESTRICTED TO —														
CUSTOMER DRAWING		SCALE NTS	SHEET 1 OF 1	REV 0												