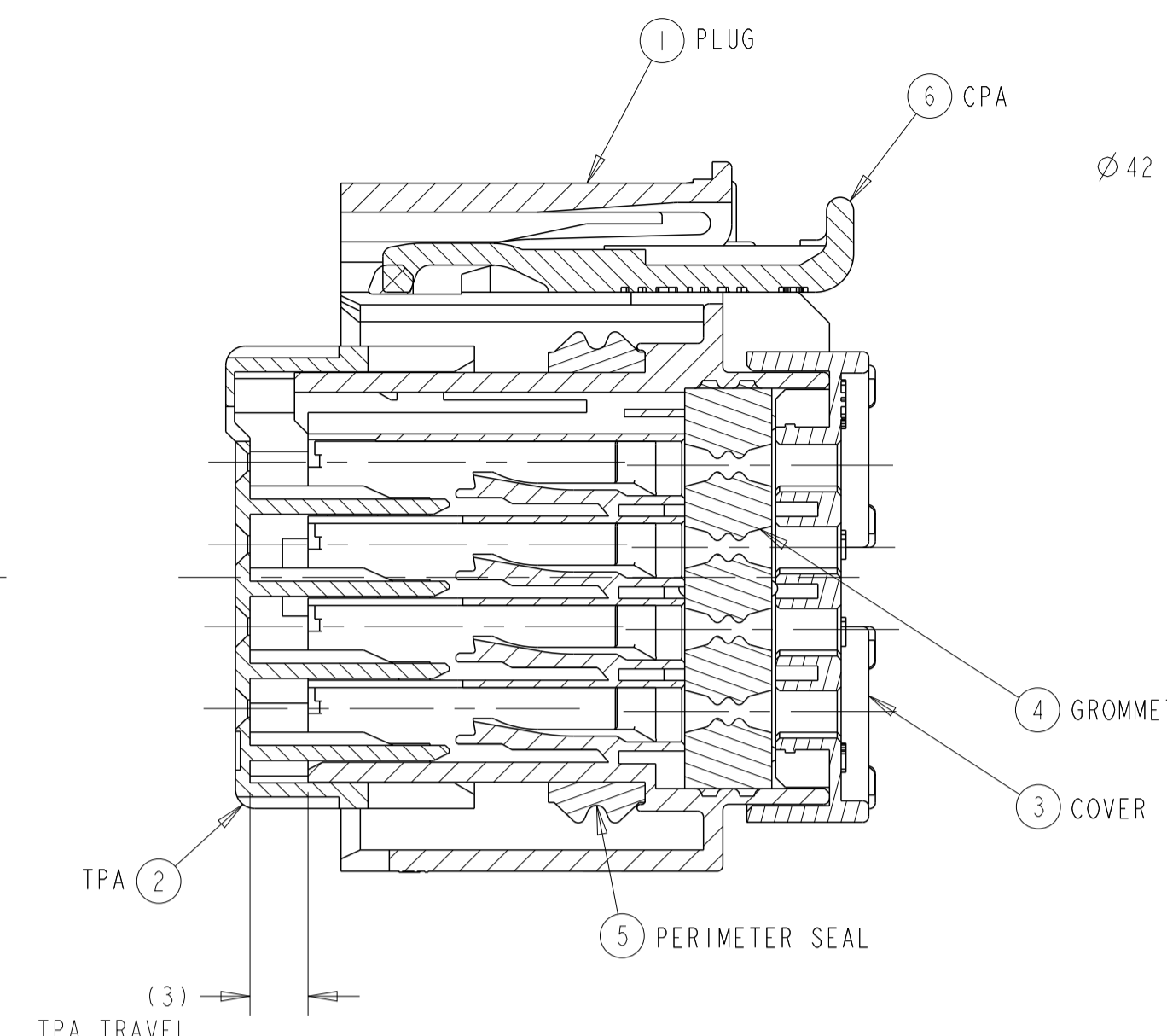
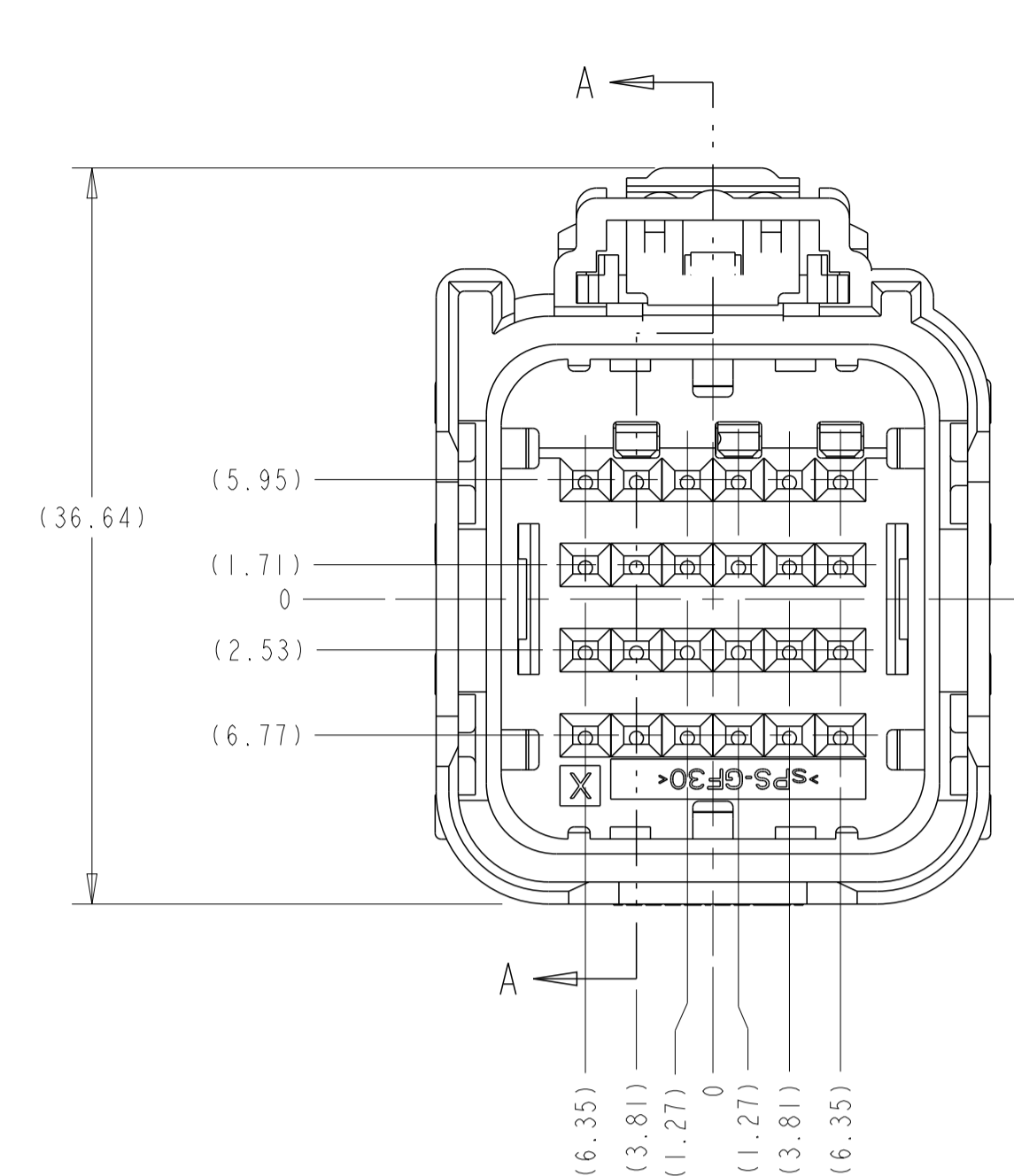
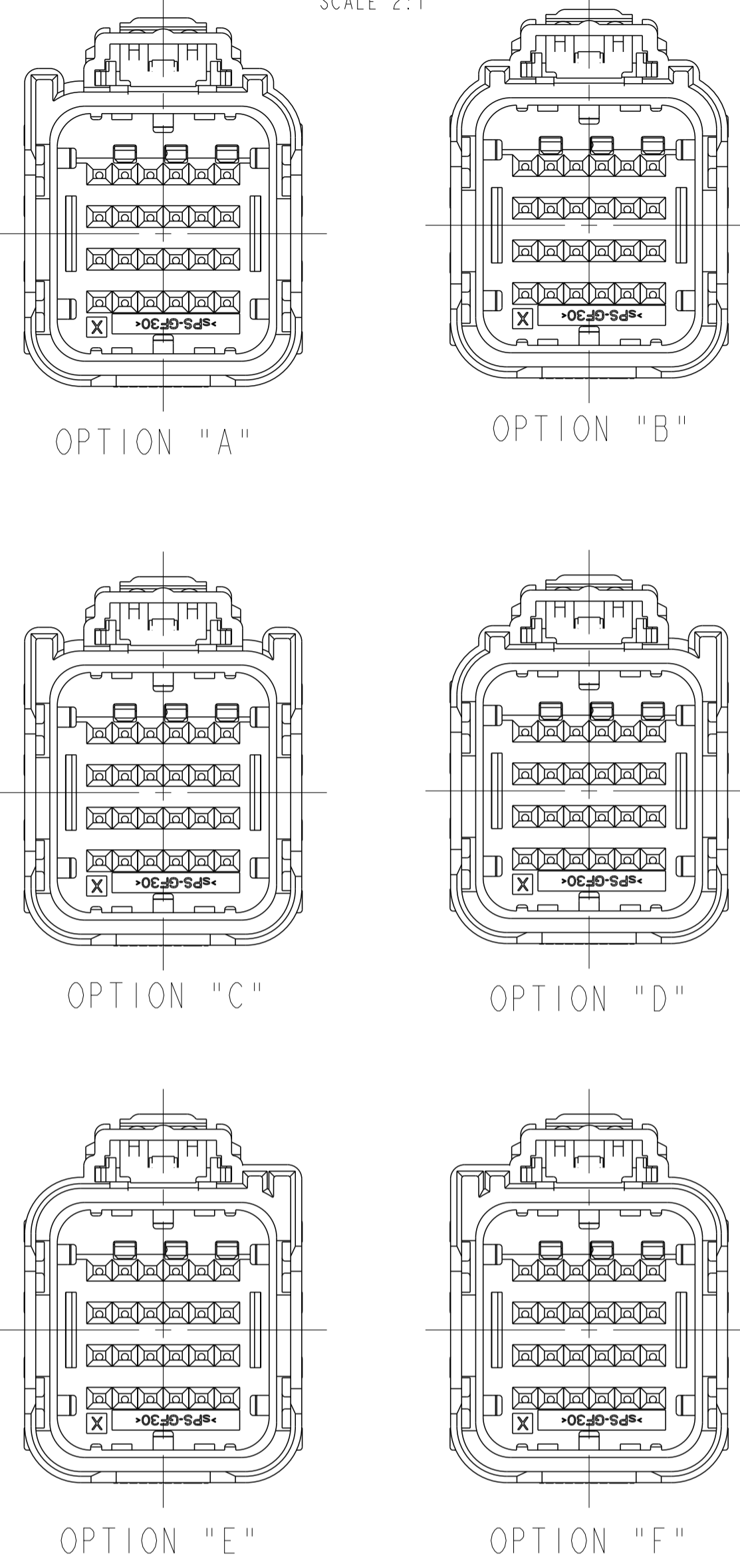
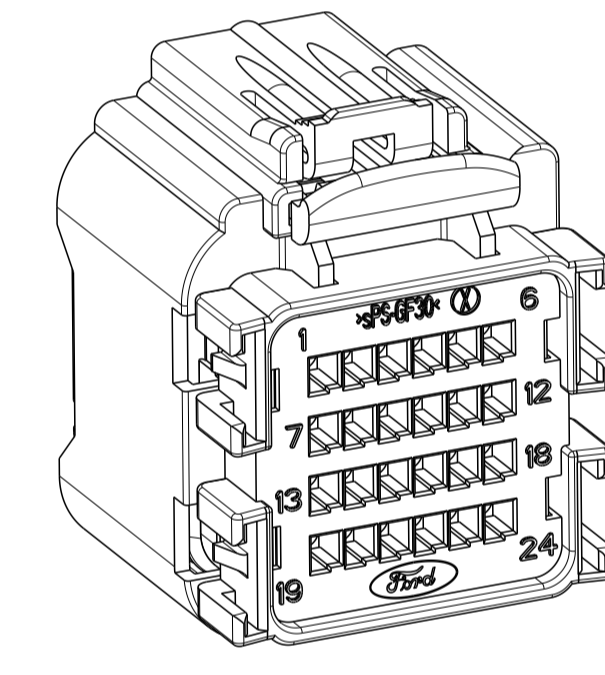
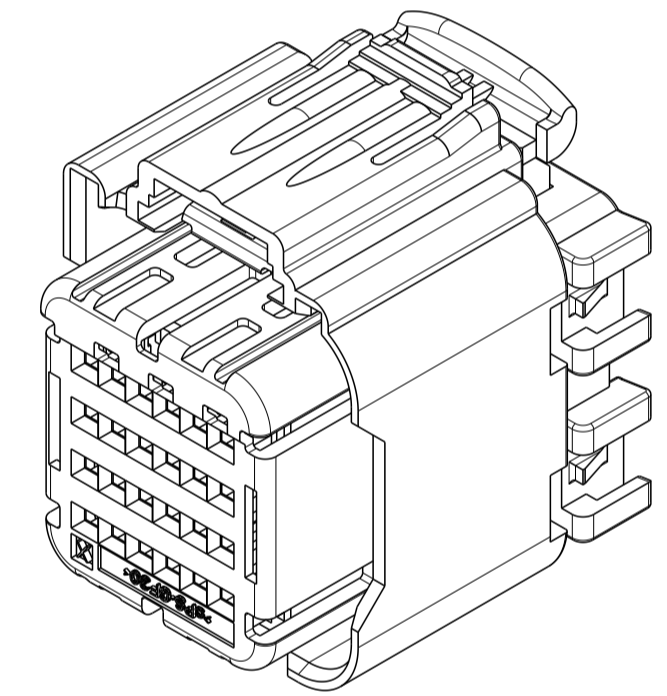
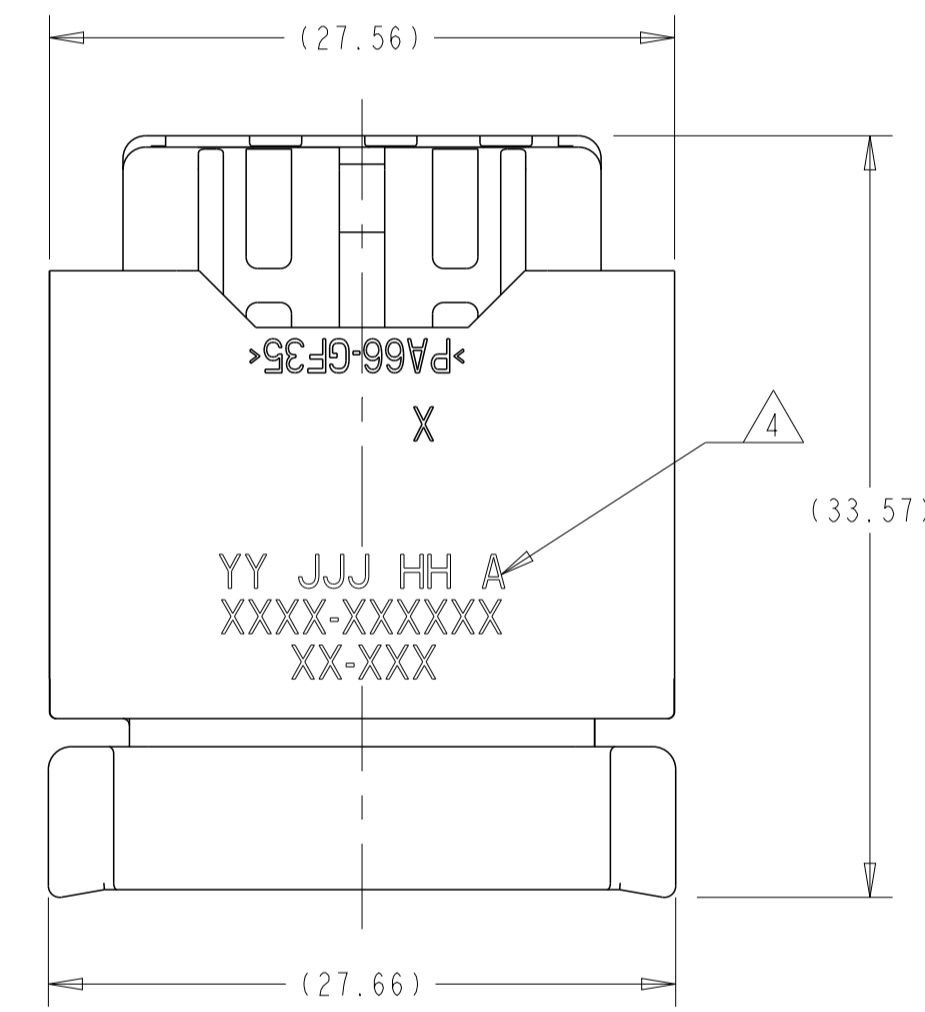
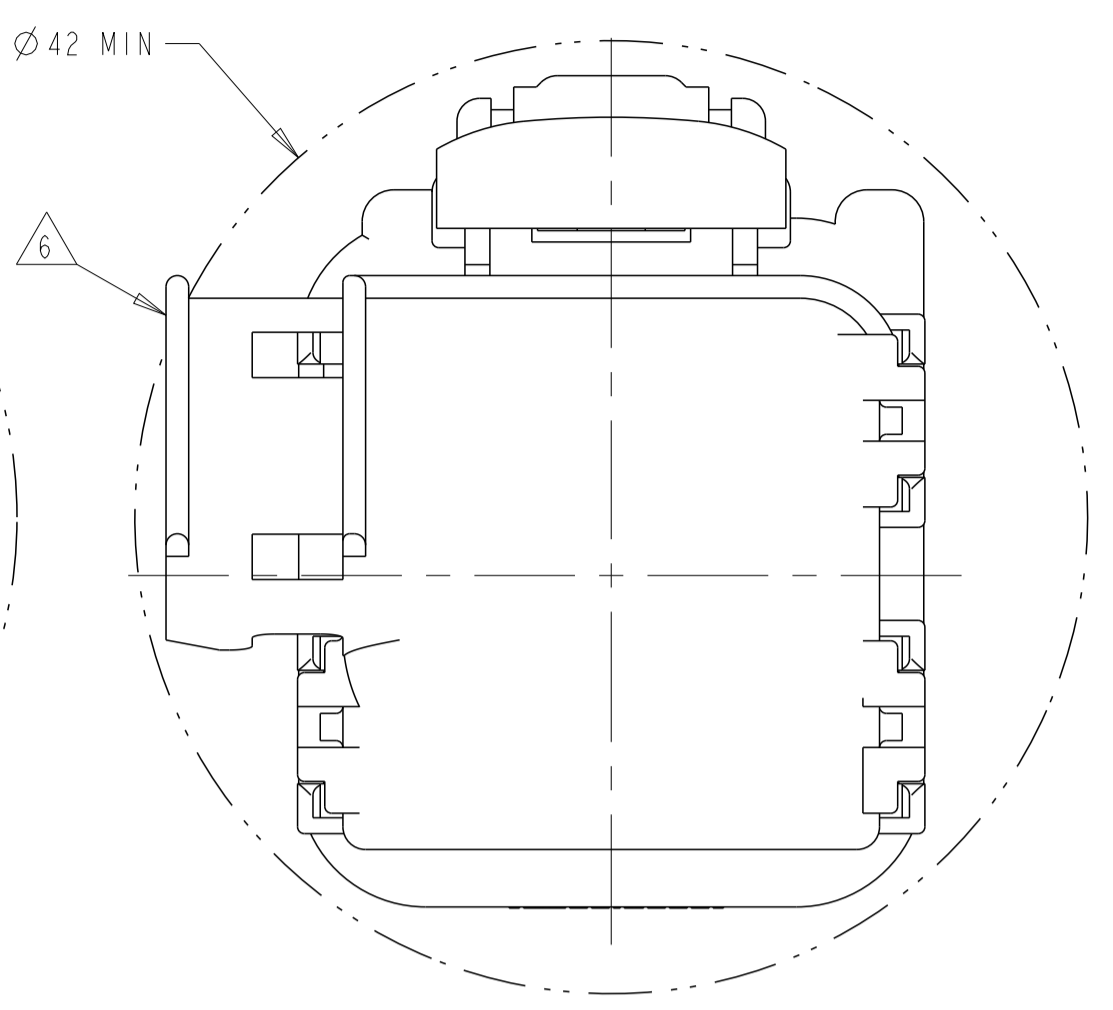
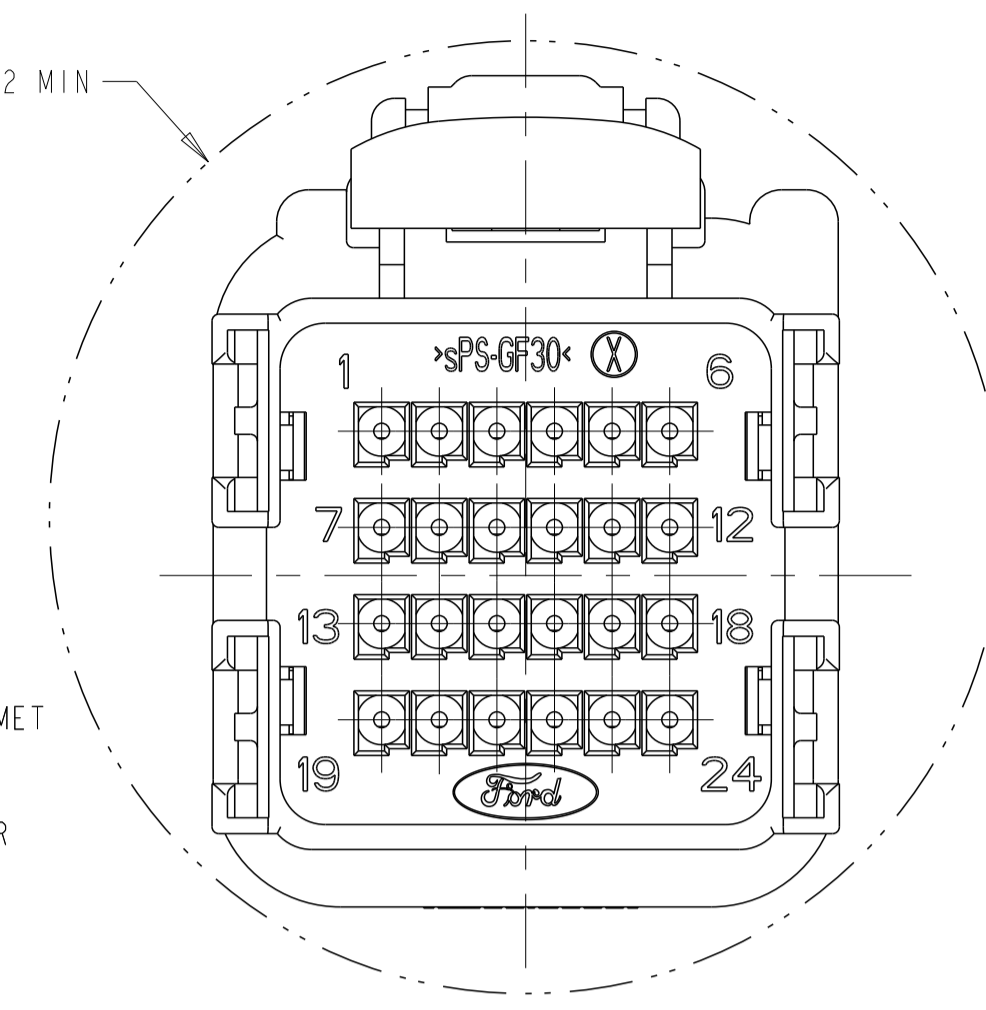


LOC	DIST	REVISIONS			
P	LTN	DESCRIPTION	DATE	DWN	APVD
BM		REVISED PER ECO-18-002641	22FEB2018	JMS	WW
BN		REVISED PER ECO-19-007173	17MAY2019	RGV	WW
BN1		REVISED PER ECO-20-012739	05OCT2020	AP	DR
BN2		REV PER ECN-22-168671	18AUG2022	SMR	WW

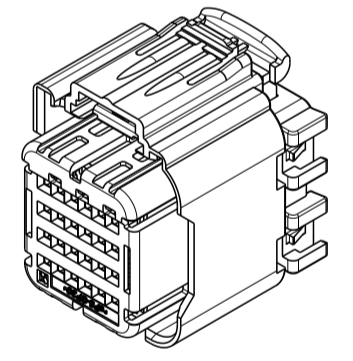
KEYING OPTIONS  
SCALE 2:1



SECTION A-A  
SHOWN WITH TPA IN  
IT'S PRE-LOADED POSITION  
(DELIVERY CONDITON)



- APPLICABLE TERMINAL PART NUMBERS (SOLD SEPARATELY):  
 FOR TIN APPLICATIONS: 1393367 AND 1393366.  
 FOR GOLD APPLICATIONS: 1393365 AND 1393364.  
 FOR TERMINATION AND REELING OPTIONS  
 SEE DRAWINGS 1393367, 1393366, 1393365, AND 1393364.
- COMPATIBLE WIRE SIZES FOR MAT SEAL DESIGN 1.19 TO 2.06 O.D.  
 (22-18 AWG, 0.35-0.75 mm<sup>2</sup>)
- TPA IS SHIPPED IN IT'S PRE-LOADED POSITION. ALL ASSEMBLIES ARE  
 TO BE TRAY PACKAGED.
- CUSTOMER PART NUMBER AND TRACEABILITY CODE (YY = TWO DIGIT YEAR,  
 JJJ = JULIAN DAY, HH = TWO DIGIT MILITARY HOUR, A = ASSEMBLY  
 PROCESS USED) ARE PRINTED IN THIS LOCATION.
- PART ASSEMBLY WEIGHT WITHOUT TERMINALS AND WITH STANDARD PIN-OUT  
 CONFIGURATION IS 14.39 GRAMS.
- OPTIONAL WIRESHIELD P/N 7-1419157-8 (SOLD SEPARATELY). PLEASE CONTACT  
 YOUR TE SALES REPRESENTATIVE FOR AVAILABILITY AND PRICING.
- OBSOLETE PART.



ASSEMBLY PART NUMBERS		ITEM	DESCRIPTION	MATERIAL	FINISH/COLOR
1-1438103-7	1-1438103-6	6	CPA	PBT 15% GF	RED
1-1438103-5	1-1438356-2	5	PERIMETER SEAL	SILICONE	GREEN
1-1438356-2	2-1438095-3	4	GROMMET	SILICONE	BROWN
1-1438103-4	1-1438095-3	3	COVER	PA66 35% GF	BLACK
1438582-3	1-1438103-1	2	TPA WITH 3 SHORTING BAR POSITIONS CONFIGURATION	sPS 30% GF	RED OR NATURAL
1-1438356-1	1-1438095-8	1	PLUG WITH KEYING OPTION "F" AND 3 SHORTING BAR POSITIONS CONFIGURATION	PA66 35% GF	BLACK
1-1438096-4	1-1438095-8	1	PLUG WITH KEYING OPTION "E" AND 3 SHORTING BAR POSITIONS CONFIGURATION	PA66 35% GF	BLACK
1-1438103-3	1-1438095-8	1	PLUG WITH KEYING OPTION "D" AND 3 SHORTING BAR POSITIONS CONFIGURATION	PA66 35% GF	BLACK
1-1438356-0	1-1438095-8	1	PLUG WITH KEYING OPTION "C" AND 3 SHORTING BAR POSITIONS CONFIGURATION	PA66 35% GF	NATURAL
2-1438095-2	1-1438095-8	1	PLUG WITH KEYING OPTION "B" AND 3 SHORTING BAR POSITIONS CONFIGURATION	PA66 35% GF	BLACK
1-1438096-3	1-1438095-8	1	PLUG WITH KEYING OPTION "A" AND 3 SHORTING BAR POSITIONS CONFIGURATION	PA66 35% GF	GRAY
1-1438096-2	1-1438095-8	1	PLUG WITH KEYING OPTION "A" AND 3 SHORTING BAR POSITIONS CONFIGURATION	PA66 35% GF	GRAY
1-1438096-1	1-1438095-8	1	PLUG WITH KEYING OPTION "A" AND 3 SHORTING BAR POSITIONS CONFIGURATION	PA66 35% GF	GRAY
1438583-2	1-1438095-8	1	PLUG WITH KEYING OPTION "A" AND 3 SHORTING BAR POSITIONS CONFIGURATION	PA66 35% GF	GRAY
1438583-1	1-1438095-8	1	PLUG WITH KEYING OPTION "A" AND 3 SHORTING BAR POSITIONS CONFIGURATION	PA66 35% GF	GRAY
1438582-2	1-1438095-8	1	PLUG WITH KEYING OPTION "A" AND 3 SHORTING BAR POSITIONS CONFIGURATION	PA66 35% GF	GRAY
1438582-1	1-1438095-8	1	PLUG WITH KEYING OPTION "A" AND 3 SHORTING BAR POSITIONS CONFIGURATION	PA66 35% GF	GRAY
1438103-2	1-1438095-8	1	PLUG WITH KEYING OPTION "A" AND 3 SHORTING BAR POSITIONS CONFIGURATION	PA66 35% GF	GRAY
1438103-1	1-1438095-8	1	PLUG WITH KEYING OPTION "A" AND 3 SHORTING BAR POSITIONS CONFIGURATION	PA66 35% GF	GRAY
1438095-9	1-1438095-8	1	PLUG WITH KEYING OPTION "A" AND 3 SHORTING BAR POSITIONS CONFIGURATION	PA66 35% GF	GRAY
1438356-8	1-1438095-8	1	PLUG WITH KEYING OPTION "A" AND 3 SHORTING BAR POSITIONS CONFIGURATION	PA66 35% GF	GRAY
1438103-9	1-1438095-8	1	PLUG WITH KEYING OPTION "A" AND 3 SHORTING BAR POSITIONS CONFIGURATION	PA66 35% GF	GRAY
1-1438095-6	1-1438095-8	1	PLUG WITH KEYING OPTION "A" AND 3 SHORTING BAR POSITIONS CONFIGURATION	PA66 35% GF	GRAY
1-1438095-5	1-1438095-8	1	PLUG WITH KEYING OPTION "A" AND 3 SHORTING BAR POSITIONS CONFIGURATION	PA66 35% GF	GRAY
1-1438095-4	1-1438095-8	1	PLUG WITH KEYING OPTION "A" AND 3 SHORTING BAR POSITIONS CONFIGURATION	PA66 35% GF	GRAY
1438356-7	1-1438095-8	1	PLUG WITH KEYING OPTION "A" AND 3 SHORTING BAR POSITIONS CONFIGURATION	PA66 35% GF	GRAY
1438356-6	1-1438095-8	1	PLUG WITH KEYING OPTION "A" AND 3 SHORTING BAR POSITIONS CONFIGURATION	PA66 35% GF	GRAY
1438356-5	1-1438095-8	1	PLUG WITH KEYING OPTION "A" AND 3 SHORTING BAR POSITIONS CONFIGURATION	PA66 35% GF	GRAY
1438356-4	1-1438095-8	1	PLUG WITH KEYING OPTION "A" AND 3 SHORTING BAR POSITIONS CONFIGURATION	PA66 35% GF	GRAY
1-1438095-3	1-1438095-8	1	PLUG WITH KEYING OPTION "A" AND 3 SHORTING BAR POSITIONS CONFIGURATION	PA66 35% GF	GRAY
1-1438095-2	1-1438095-8	1	PLUG WITH KEYING OPTION "A" AND 3 SHORTING BAR POSITIONS CONFIGURATION	PA66 35% GF	GRAY
1438103-8	1-1438095-8	1	PLUG WITH KEYING OPTION "A" AND 3 SHORTING BAR POSITIONS CONFIGURATION	PA66 35% GF	GRAY
1438356-3	1-1438095-8	1	PLUG WITH KEYING OPTION "A" AND 3 SHORTING BAR POSITIONS CONFIGURATION	PA66 35% GF	GRAY
1-1438095-1	1-1438095-8	1	PLUG WITH KEYING OPTION "A" AND 3 SHORTING BAR POSITIONS CONFIGURATION	PA66 35% GF	GRAY
1438356-2	1-1438095-8	1	PLUG WITH KEYING OPTION "A" AND 3 SHORTING BAR POSITIONS CONFIGURATION	PA66 35% GF	GRAY
1438356-1	1-1438095-8	1	PLUG WITH KEYING OPTION "A" AND 3 SHORTING BAR POSITIONS CONFIGURATION	PA66 35% GF	GRAY
1-1438096-0	1-1438095-8	1	PLUG WITH KEYING OPTION "A" AND 3 SHORTING BAR POSITIONS CONFIGURATION	PA66 35% GF	GRAY
1438096-9	1-1438095-8	1	PLUG WITH KEYING OPTION "A" AND 3 SHORTING BAR POSITIONS CONFIGURATION	PA66 35% GF	GRAY
1438096-8	1-1438095-8	1	PLUG WITH KEYING OPTION "A" AND 3 SHORTING BAR POSITIONS CONFIGURATION	PA66 35% GF	GRAY
1438096-7	1-1438095-8	1	PLUG WITH KEYING OPTION "A" AND 3 SHORTING BAR POSITIONS CONFIGURATION	PA66 35% GF	GRAY
1438096-6	1-1438095-8	1	PLUG WITH KEYING OPTION "A" AND 3 SHORTING BAR POSITIONS CONFIGURATION	PA66 35% GF	GRAY
1438096-5	1-1438095-8	1	PLUG WITH KEYING OPTION "A" AND 3 SHORTING BAR POSITIONS CONFIGURATION	PA66 35% GF	GRAY
1438096-4	1-1438095-8	1	PLUG WITH KEYING OPTION "A" AND 3 SHORTING BAR POSITIONS CONFIGURATION	PA66 35% GF	GRAY
1438096-3	1-1438095-8	1	PLUG WITH KEYING OPTION "A" AND 3 SHORTING BAR POSITIONS CONFIGURATION	PA66 35% GF	GRAY
1438096-2	1-1438095-8	1	PLUG WITH KEYING OPTION "A" AND 3 SHORTING BAR POSITIONS CONFIGURATION	PA66 35% GF	GRAY
4-1419171-1	1-1438095-8	1	PLUG WITH KEYING OPTION "A" AND 3 SHORTING BAR POSITIONS CONFIGURATION	PA66 35% GF	GRAY
1-1438095-0	1-1438095-8	1	PLUG WITH KEYING OPTION "A" AND 3 SHORTING BAR POSITIONS CONFIGURATION	PA66 35% GF	GRAY
1438095-9	1-1438095-8	1	PLUG WITH KEYING OPTION "A" AND 3 SHORTING BAR POSITIONS CONFIGURATION	PA66 35% GF	GRAY
1438095-8	1-1438095-8	1	PLUG WITH KEYING OPTION "A" AND 3 SHORTING BAR POSITIONS CONFIGURATION	PA66 35% GF	GRAY
1438095-7	1-1438095-8	1	PLUG WITH KEYING OPTION "A" AND 3 SHORTING BAR POSITIONS CONFIGURATION	PA66 35% GF	GRAY
1438095-6	1-1438095-8	1	PLUG WITH KEYING OPTION "A" AND 3 SHORTING BAR POSITIONS CONFIGURATION	PA66 35% GF	GRAY
1438095-5	1-1438095-8	1	PLUG WITH KEYING OPTION "A" AND 3 SHORTING BAR POSITIONS CONFIGURATION	PA66 35% GF	GRAY
1438095-4	1-1438095-8	1	PLUG WITH KEYING OPTION "A" AND 3 SHORTING BAR POSITIONS CONFIGURATION	PA66 35% GF	GRAY
1438095-3	1-1438095-8	1	PLUG WITH KEYING OPTION "A" AND 3 SHORTING BAR POSITIONS CONFIGURATION	PA66 35% GF	GRAY
1438095-2	1-1438095-8	1	PLUG WITH KEYING OPTION "A" AND 3 SHORTING BAR POSITIONS CONFIGURATION	PA66 35% GF	GRAY
4-1419171-0	1-1438095-8	1	PLUG WITH KEYING OPTION "A" AND 3 SHORTING BAR POSITIONS CONFIGURATION	PA66 35% GF	GRAY
1438103-7	1-1438095-8	1	PLUG WITH KEYING OPTION "A" AND 3 SHORTING BAR POSITIONS CONFIGURATION	PA66 35% GF	GRAY
1438103-6	1-1438095-8	1	PLUG WITH KEYING OPTION "A" AND 3 SHORTING BAR POSITIONS CONFIGURATION	PA66 35% GF	GRAY
1438103-5	1-1438095-8	1	PLUG WITH KEYING OPTION "A" AND 3 SHORTING BAR POSITIONS CONFIGURATION	PA66 35% GF	GRAY
1438103-4	1-1438095-8	1	PLUG WITH KEYING OPTION "A" AND 3 SHORTING BAR POSITIONS CONFIGURATION	PA66 35% GF	GRAY
1438103-3	1-1438095-8	1	PLUG WITH KEYING OPTION "A" AND 3 SHORTING BAR POSITIONS CONFIGURATION	PA66 35% GF	GRAY
1438103-2	1-1438095-8	1	PLUG WITH KEYING OPTION "A" AND 3 SHORTING BAR POSITIONS CONFIGURATION	PA66 35% GF	GRAY
7-1419157-7	1-1438095-8	1	PLUG WITH KEYING OPTION "A" AND 3 SHORTING BAR POSITIONS CONFIGURATION	PA66 35% GF	GRAY
3-1419171-9	1-1438095-8	1	PLUG WITH KEYING OPTION "A" AND 3 SHORTING BAR POSITIONS CONFIGURATION	PA66 35% GF	GRAY

KEYING OPTION "A" SHOWN

THIS DRAWING IS A CONTROLLED DOCUMENT.

DM: M. FORLSKA 16APR2002  
 CHK: M. FORLSKA 16APR2002  
 APVD: A. VALASEK 16APR2002

TE Connectivity

24 WAY ARM,  
 PLUG ASSEMBLY WITHOUT SHORTING BARS,  
 CUSTOMER SPEC.

SIZE: A1 CAGE CODE: 00779 DRAWING NO: 3-1419157-9  
 WEIGHT: SEE NOTE 5  
 MATERIAL: SEE CHART ABOVE  
 FINISH: -

RESTRICTED TO

SCALE: 3:1 SHEET: 1 OF 3 REV: BN2



