

4

3

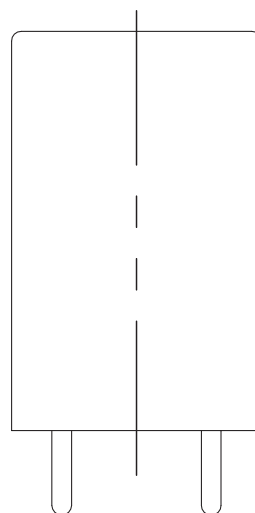
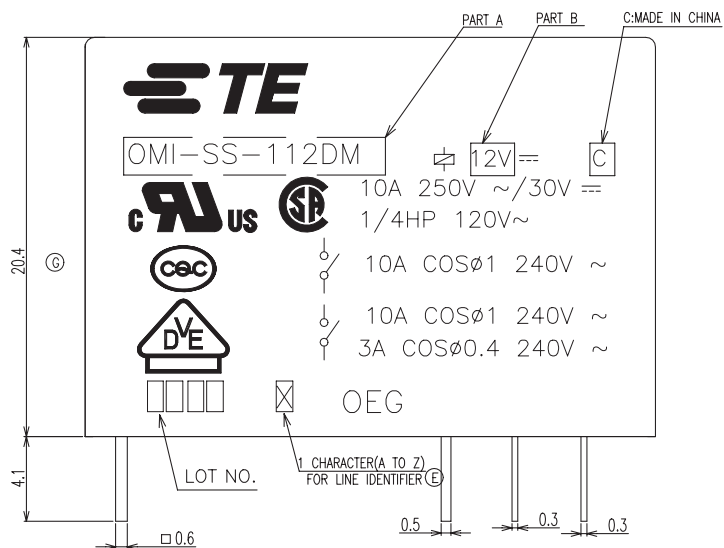
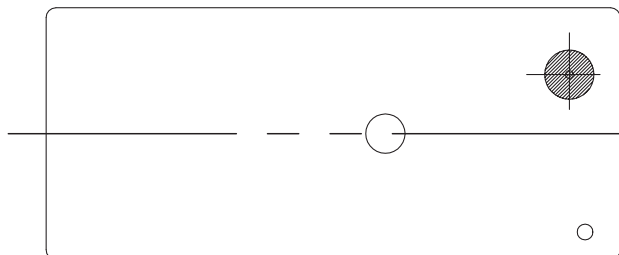
2

1

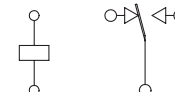
© - TE Connectivity. All Rights Reserved.

REVISIONS

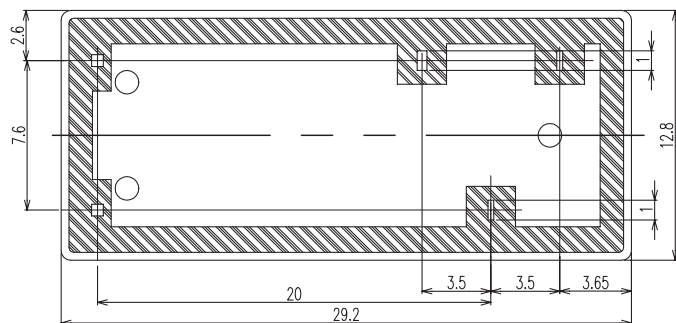
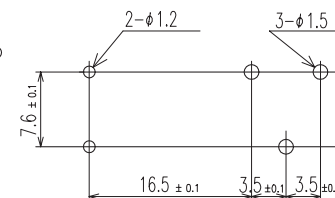
P	LTR	DESCRIPTION	DATE	DWN	APVD
G		BASE MATERIAL CHANGE TO PBT, ECN-21-117512 DIMENSION CHANGE, CANCEL SEMKO MARK	08-SEP-21	XR.L	K.T



CONNECTION DIAGRAM (BOTTOM VIEW)



DRILLING DIAGRAM(2/1) (BOTTOM VIEW)



THIS DRAWING IS A CONTROLLED DOCUMENT.		DWN H.SAKAI	TE Connectivity Ltd.		
DIMENSIONS: mm		CHK Y.OIKAWA			
TOLERANCES UNLESS OTHERWISE SPECIFIED:		APVD A.NAGAI	NAME OMI-1T 300 CUSTOMER DRAWING		
0 PLC ± - 1 PLC ± - 2 PLC ± - 3 PLC ± - 4 PLC ± - ANGLES ± - FINISH		PRODUCT SPEC -	APPLICATION SPEC -	SIZE A3	RESTRICTED TO -
MATERIAL -		WEIGHT -	CAGE CODE 00779	DRAWING NO C=3-1440000-4	SCALE 4:1
CUSTOMER DRAWING			SHEET 1 OF 2	REV G	

REVISIONS					
P	LTR	DESCRIPTION	DATE	DWN	APVD
-	-	SEE SHEET 1	-	-	-

NOTES:

- 1.-SH--:WASHABLE TYPE
- 2.LOT NO. SYSTEM AS FOLLOWING:

0701

WEEK  
YEAR

- 3.GENERAL TOLERANCE AS FOLLOWING:



TOLERANCE	
0~0.99mm	±0.1
1mm~2.99mm	±0.2
3mm MIN.	±0.3

- 4.FOR THE TIN-PLATING OF THE PINS:  
+0.1mm FOR WIDTH,THICKNESS AND DIAMETER.  
+0.5mm FOR LENGTH.

4-1440000-5	OMI-SH-148L	48V	OMI-SH-148L
4-1440000-2	OMI-SH-124D	24V	OMI-SH-124D
3-1440000-5	OMI-SH-105L	5V	OMI-SH-105L
3-1440000-4	OMI-SH-105D	5V	OMI-SH-105D
PART NO	DESCRIPTION	PART B	PART A

RELAY TYPE

		UV RESIN	UV SEAL	18
		EPOXY RESIN	SEAL	17
UL94 V-0		PBT	CASE	16
		-	TAPE	15
CLASS E		UEW	MAGNETIC WIRE	14
UL94 V-0		PBT	BASE	13
UL94 V-0		PBT	BOBBIN	12
	SOLDER DIP	CP WIRE	COIL TERMINAL	11
UL94 V-0		PPS	CARD	10
		Ag ALLOY	MOVABLE CONTACT	9
		Ag ALLOY	STATIONARY CONTACT	8
		Cu ALLOY	HINGE SPRING	7
	SOLDER DIP	Cu ALLOY	B TERMINAL	6
	SOLDER DIP	Cu ALLOY	M TERMINAL	5
	SOLDER DIP	Cu ALLOY	MOVABLE SPRING	4
		STEEL	CORE	3
		STEEL	ARMATURE	2
		STEEL	YOKE	1
INCOMBUSTIBILITY	TREATMENT	MATERIAL	DESCRIPTION	ITEM

THIS DRAWING IS A CONTROLLED DOCUMENT.		DWN H.SASAKI	 TE Connectivity Ltd.		
DIMENSIONS: mm		CHK Y.OIKAWA			
		APVD A.NAGAI	NAME -		
TOLERANCES UNLESS OTHERWISE SPECIFIED:		PRODUCT SPEC	OMI-1T 300 CUSTOMER DRAWING		
0 PLC ± -		APPLICATION SPEC	-		
1 PLC ± -		WEIGHT	SIZE A3	CAGE CODE 00779	DRAWING NO C=3-1440000-4
2 PLC ± -			RESTRICTED TO		
3 PLC ± -			-		
4 PLC ± -			SCALE 4:1 SHEET 2 OF 2 REV G		
ANGLES ± -					
FINISH					
MATERIAL			CUSTOMER DRAWING		