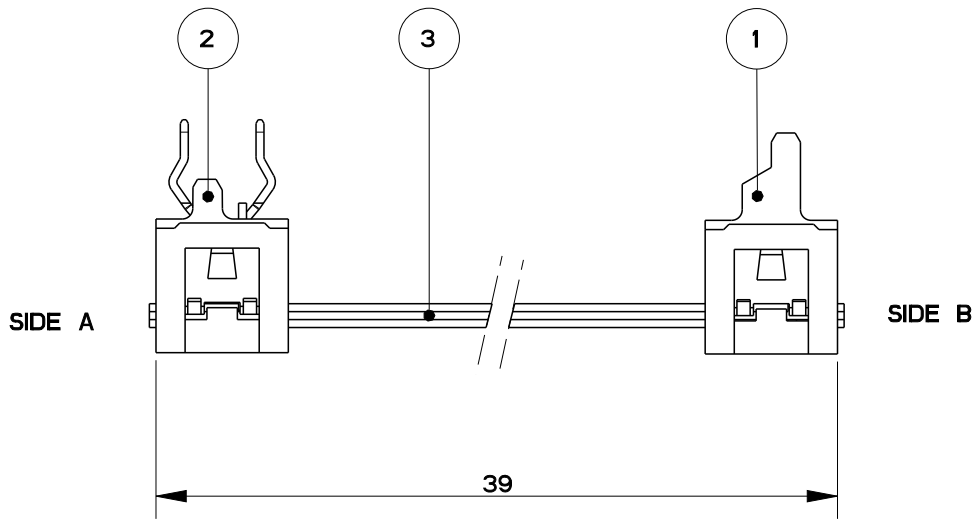
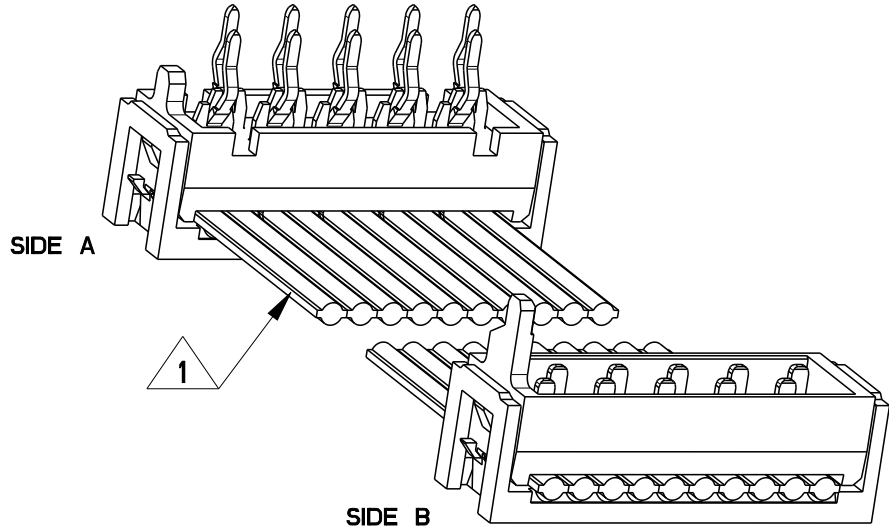


LOC	DIST	REVISIONS					
H	-	P	LTR	DESCRIPTION	DATE	DWN	APVD
			O	EH00-0961-97	18-09-97	-	TVS
	A	EH00-0093-98	23-01-98	-	TVS		
	C	EH00-0854-98	01-07-98	-	TVS		
	C1	TE LOGO CHANGED	18FEB15	GSK	GA		

NOTES:

- 1 WIRE RED MARKED
- 2 ASSEMBLIES ARE PACKED ACCORDING PACKAGING SPEC. : 107-19574



3	-	BULK-WIRE FLAT RIBBON CABLE	1
2	-	MICRO-MATCH PADDLE BOARD CONNECTOR	1
1	-	MICRO-MATCH MALE ASS'Y	1
ITEM	PARTNUMBER	DESCRIPTION	QTY.

DIMENSIONS:		DWN	MATERIAL		FINISH	
mm		H.SARIMEHMET	TBD		-	
TOLERANCES UNLESS OTHERWISE SPECIFIED:		CHK	TE Connectivity			
0 PLC ±5		T.VISSERS				
1 PLC ±4		APVD	NAME 10 POS. MICRO-MATCH LEAD ASS'Y			
2 PLC ±4		J.V.GRUNSVEN				
3 PLC ±4		PRODUCT SPEC	SIZE A 4 CAGE CODE - DRAWING NO C-3-161342-6 RESTRICTED TO -			
4 PLC ±4		APPLICATION SPEC				
ANGLES ±0.2°		WEIGHT	SCALE 7:2 SHEET 1 OF 1 REV C1			
		Customer Drawing				

20

RELEASED FOR PUBLICATION

ALL RIGHTS RESERVED.

BY -

© COPYRIGHT 20

THIS DRAWING IS UNPUBLISHED.