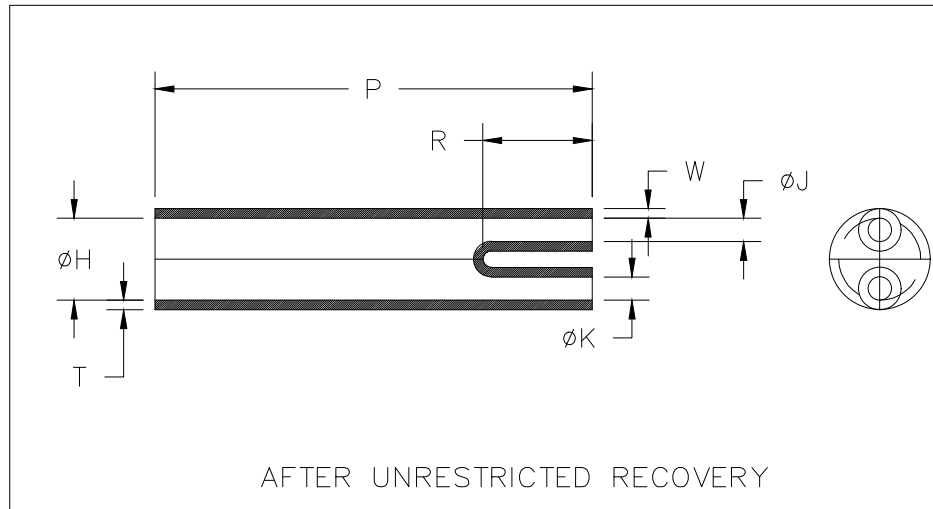
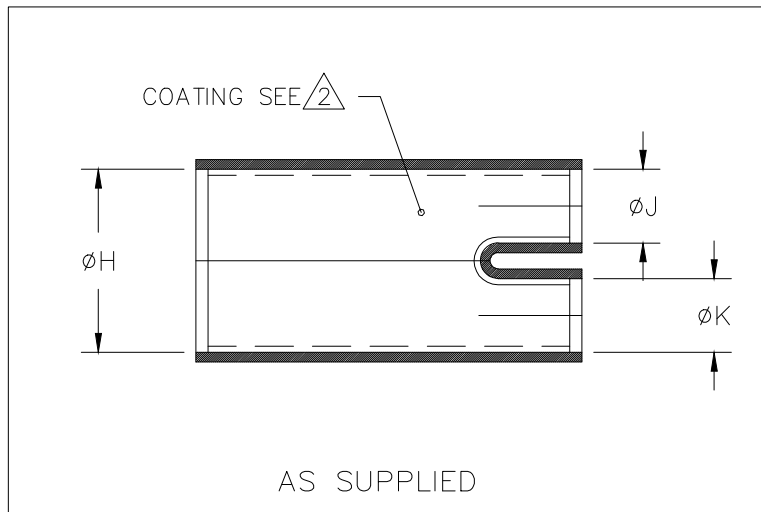


REVISIONS					
P	LTR	DESCRIPTION	DATE	DWN	APVD
	K	PRODUCTION ISSUE	29JAN2019	PNT	MT



PART DESCRIPTION	H		J & K		P	R	T	W
	MIN a	MAX b	MIN a	MAX b	$\pm 10\%$ b	$\pm 10\%$ b	$\pm 20\%$ b	$\pm 20\%$ b
302A812	20.3 [.80]	9.4 [.37]	8.4 [.33]	2.8 [.11]	76.2 [3.00]	19.6 [.77]	4.1 [.16]	2.3 [.09]
302A823	30.1 [1.20]	15.2 [.60]	12.7 [.50]	4.3 [.17]	97.8 [3.89]	28.2 [1.11]	3.6 [.14]	2.0 [.08]
302A834	48.3 [1.90]	22.9 [.90]	19.1 [.75]	7.62 [.30]	118.5 [4.67]	33.9 [1.33]	4.8 [.19]	3.8 [.15]
302A845	76.2 [3.00]	22.9 [.90]	36.8 [1.45]	7.62 [.30]	118.5 [4.67]	33.9 [1.33]	4.8 [.19]	4.1 [.16]

RELEASED FOR PUBLICATION

ALL RIGHTS RESERVED.

THIS DRAWING IS UNPUBLISHED.

© COPYRIGHT - TE Connectivity Ltd.

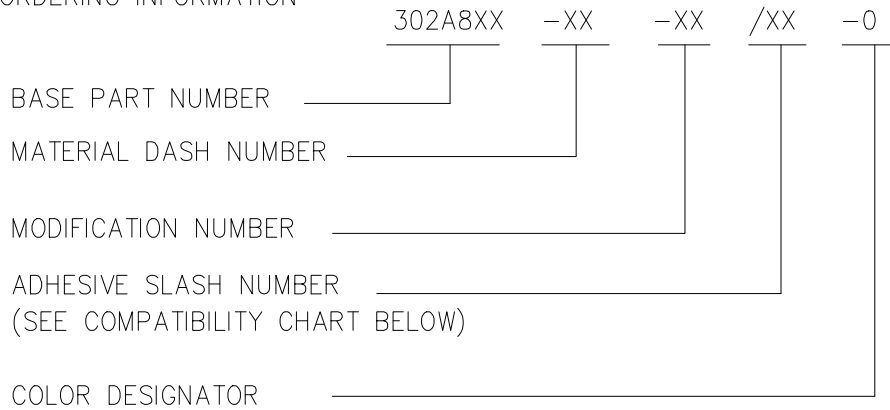
DIMENSIONS: mm [INCHES]	DWN	29JAN2019	MATERIAL	SEE SHEET 2	FINISH	-	
	CHK	29JAN2019	TE Connectivity Ltd.				
TOLERANCES UNLESS OTHERWISE SPECIFIED:	APVD	29JAN2019					
0 PLC $\pm -$ 1 PLC $\pm 0.50[.1]$ 2 PLC $\pm 0.25[.01]$ 3 PLC $\pm 0.13[.005]$ 4 PLC $\pm -$ ANGLES $\pm 1^\circ$	PRODUCT SPEC	-	NAME	TRANSITION, 3 ENTRY			
	APPLICATION SPEC	-	SIZE	CAGE CODE	DRAWING NO	RESTRICTED TO	
	WEIGHT	A4	00779	C-	302A812-XX-0THRU845-XX-0	-	
	CUSTOMER DRAWING				SCALE	DNS	SHEET 1 OF 2

REVISIONS					
P	LTR	DESCRIPTION	DATE	DWN	APVD
	-	SEE SHEET 1	-	-	-

COMPATIBILITY CHART

MATERIAL DASH NO.	MATERIAL DESCRIPTION	RT SPEC	COATING SLASH NO.	COATING S NO.
-3	Polyolefin, Semi-rigid	RT-301	/42;/86;/180	S1017;S1048;S1030
-4	Polyolefin, Flexible	RT-1304	/42;/86;/180	S1017;S1048;S1030
-25	Elastomer, Fluid Resistant	RW-2070	/42;/86;/225	S1017;S1048;S1206

ORDERING INFORMATION



NOTES

1. DIMENSIONS APPEARING IN TABLE ARE AS FOLLOWS:

- a - AS SUPPLIED
- b - AFTER UNRESTRICTED RECOVERY

2. COATING (ADHESIVE): IS OPTIONAL AS SUPPLIED DIMENSIONS APPEARING IN TABLE ARE FOR UNCOATED PARTS. WHEN COATING IS ADDED, ENTRY DIAMETER WILL BE REDUCED BY 1.5mm[.06] MAX.

RELEASED FOR PUBLICATION

ALL RIGHTS RESERVED.

THIS DRAWING IS UNPUBLISHED.

© COPYRIGHT - TE Connectivity Ltd.

DIMENSIONS: mm [INCHES]	DWN PRAVEEN N T 29JAN2019	MATERIAL -	FINISH -
	CHK N NAGAR 29JAN2019	TE Connectivity Ltd.	
TOLERANCES UNLESS OTHERWISE SPECIFIED:	APVD M TAYLOR 29JAN2019		
	0 PLC ± - 1 PLC ± 0.50[.1] 2 PLC ± 0.25[.01] 3 PLC ± 0.13[.005] 4 PLC ± - ANGLES ± 1°	PRODUCT SPEC -	APPLICATION SPEC -
	WEIGHT	SIZE A4	CAGE CODE 00779
	DRAWING NO 302A812-XX-0THRU845-XX-0		RESTRICTED TO -
CUSTOMER DRAWING		SCALE DNS	SHEET 2 OF 2
		REV K	