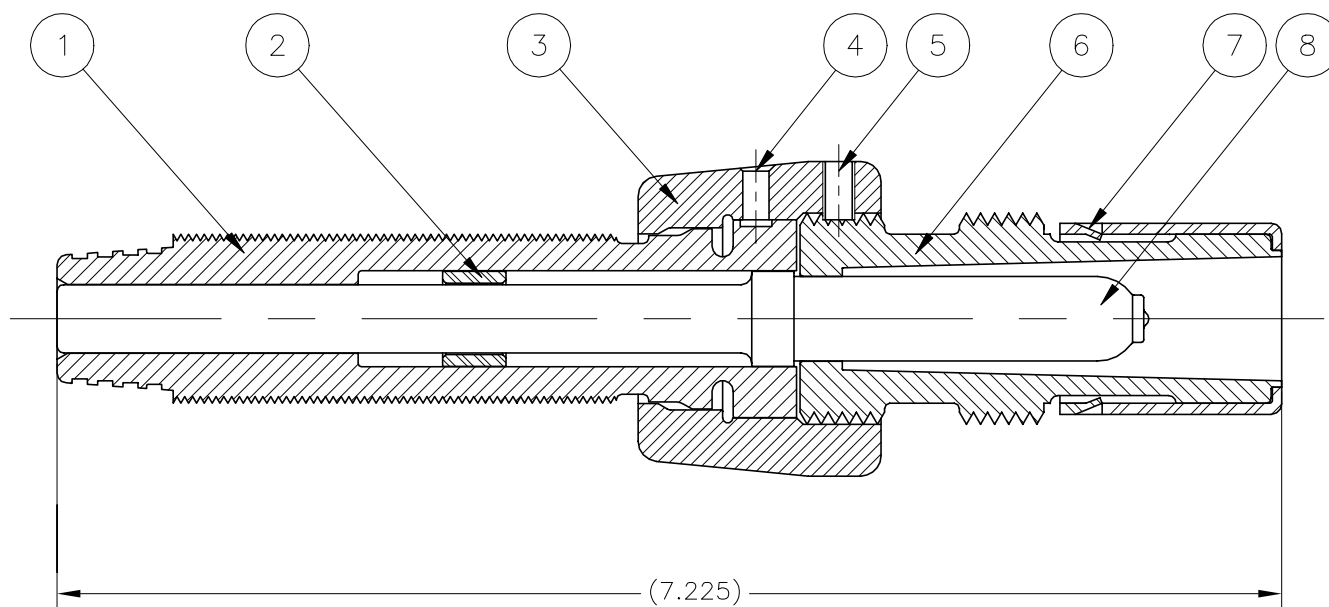


REVISIONS

P	LTR	DESCRIPTION	DATE	DWN	APVD
	H	INITIAL REL PER LC20-0052-21	13MAY2021	RS	JO

NOTE:  
1. DIMENSIONS ARE FOR REFERENCE ONLY.



308967-1  
PART NO.

1	RAM	8
1	SLEEVE-EJECTION	7
1	BREECH	6
1	SCREW-SET HALF DOG PT.	5
1	STUD	4
1	NUT-SLEEVE	3
1	SLEEVE	2
1	COUPLING	1
QTY	DESCRIPTION	ITEM NO

PARTS LIST

THIS DRAWING IS A CONTROLLED DOCUMENT.		DWN RAVI.S 13MAY2021		
		CHK J.GUPPY 13MAY2021		
		APVD J.OPEL 13MAY2021		
DIMENSIONS: INCHES		TOLERANCES UNLESS OTHERWISE SPECIFIED:		NAME BREECH ASSEMBLY
		0 PLC ± 1 PLC ± 2 PLC ± 3 PLC ± 4 PLC ± ANGLES ±		PRODUCT SPEC —
MATERIAL		FINISH —		APPLICATION SPEC —
		WEIGHT —		SIZE A3
		CUSTOMER DRAWING		CAGE CODE 00779
				DRAWING NO C=308967
				RESTRICTED TO —
				SCALE NTS
				SHEET 1 OF 1
				REV H