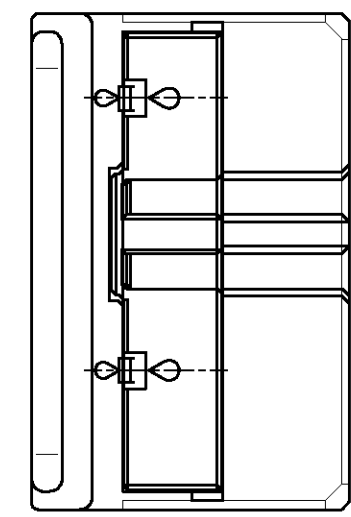
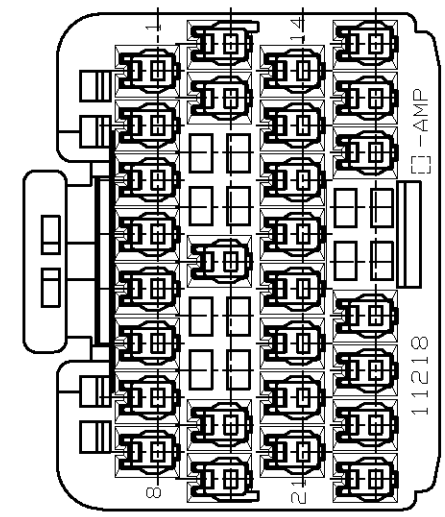
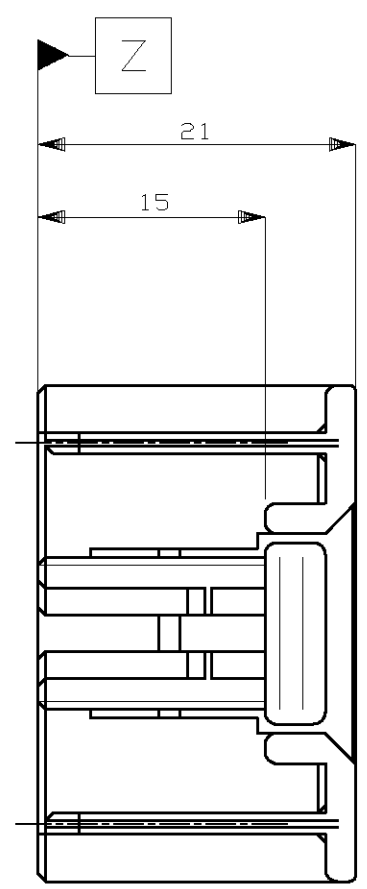
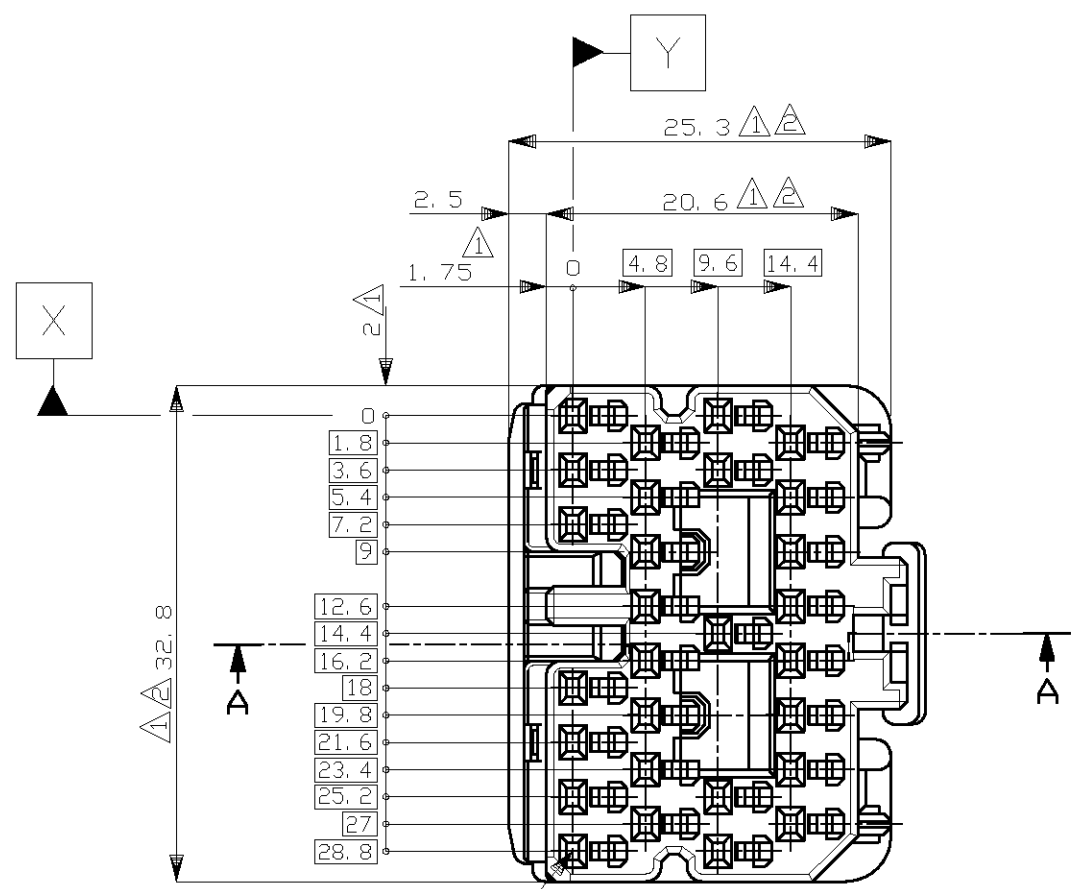
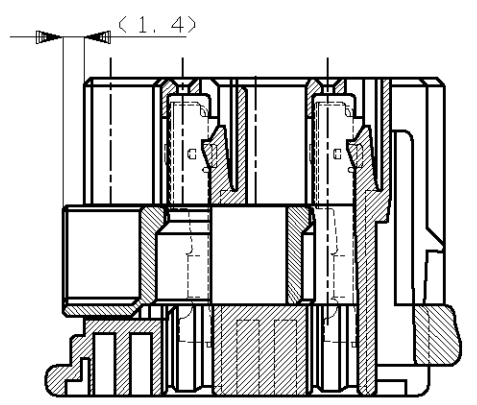


THIS DRAWING IS UNPUBLISHED. RELEASED FOR PUBLICATION
 © COPYRIGHT - By Tyco Electronics JAPAN G.K. ALL RIGHTS RESERVED.

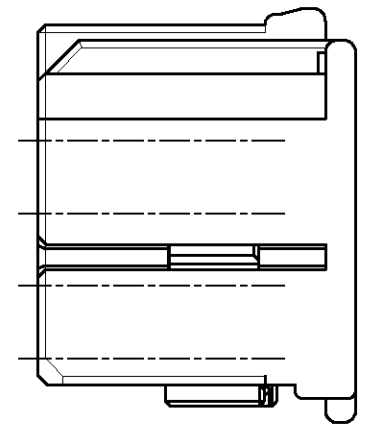
LOC	DIST	REVISIONS					
		P	LTR	DESCRIPTION	DATE	DWN	APVD
J	-	A1	REDRAWN W/CHANGE	ECR-13-000281	16JAN2013	TS	KB



⊕ 0.3 X Y



SECT. A-A



- ① TO BE MEASURED BETWEEN [Z] AND 2.
 - ② TO BE MATE WITH CAP HOUSING SMOOTHLY.
 - 3. APPLIED CONTACT PART NUMBER; 175266 AND 175267.
 - 4. APPLICABLE PRODUCT SPECIFICATION NUMBER; 108-5359.
 - ⑤ RETAINER COLOR; ALL WHITE
- ① [Z] 面から2mmの範囲で測定。
 - ② 相手ハウジングと所定の機能を満足して嵌合できること。
 - 3. 内装するリセプタクルコンタクト型番; 175266 及び 175267
 - 4. 適用製品規格番号; 108-5359
 - ⑤ リテーナは全て白色。

OBSOLETE	灰 (DARK GRAY)	316019-6
	黒 (BLACK)	316019-2
	白 (WHITE)	316019-1
⑤	色 COLOR	型番 PART NUMBER

TOLERANCES UNLESS OTHERWISE SPECIFIED:

10 ≥	: ±0.2
30 ≥	> 10 : ±0.25
100 ≥	> 30 : ±0.3
ANGLE : ±3°	

THIS DRAWING IS A CONTROLLED DOCUMENT.

DIMENSIONS: mm	TOLERANCES UNLESS OTHERWISE SPECIFIED:	DWN T.SHINOHARA 16JAN2013	STE TE Connectivity
	0 PLC ± -	CHK K.BETSUI 16JAN2013	
	1 PLC ± -	APVD K.BETSUI 16JAN2013	
MATERIAL PBT	FINISH -	NAME	

PRODUCT SPEC: SEE NOTE 4

APPLICATION SPEC: -

WEIGHT: -

CUSTOMER DRAWING

040 SERIES PAIRMATE CONNECTOR 28POSITION PLUG HOUSING ASSEMBLY

SIZE	CAGE CODE	DRAWING NO	RESTRICTED TO
A3	00779	C-316019	-

SCALE: 2:1 SHEET: 1 OF 1 REV: A1