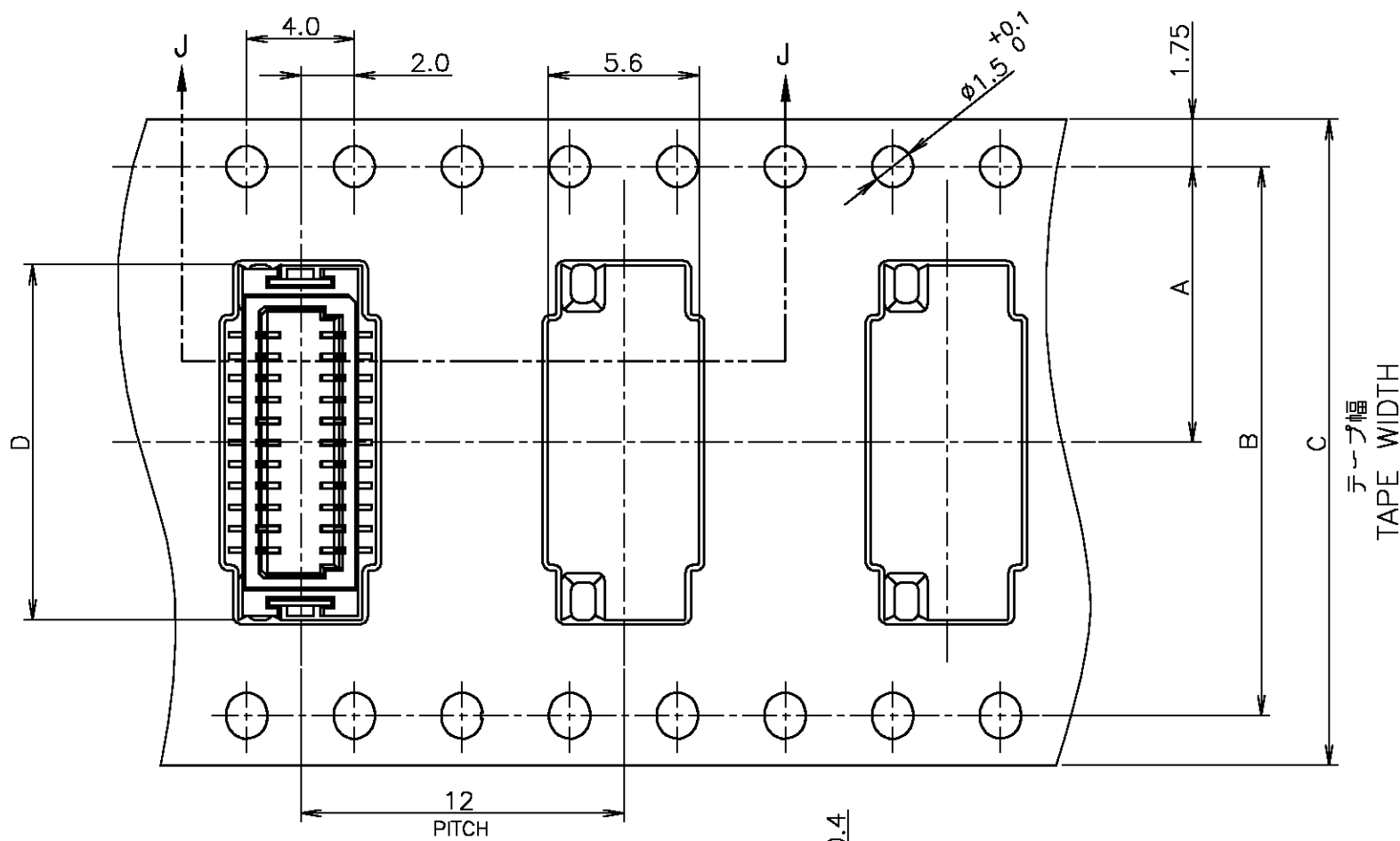
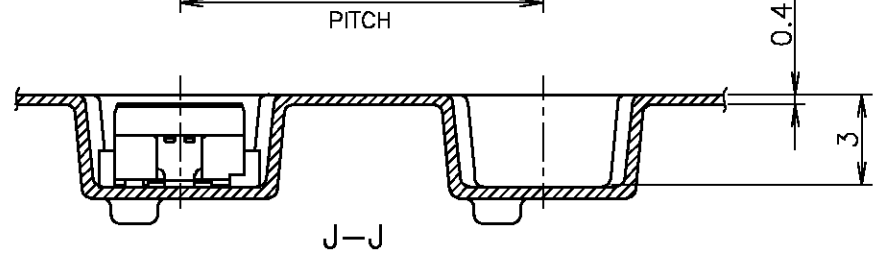


THIS DRAWING IS UNPUBLISHED. RELEASED FOR PUBLICATION FEB, 1997.
 © COPYRIGHT 1997 BY TYCO ELECTRONICS CORPORATION. ALL RIGHTS RESERVED.

LOC	DIST	REVISIONS					
		P	LTR	DESCRIPTION	DATE	DWN	APVD
J		A	REVISED	FJB0-1439-04	27DEC04	M.I	T.K

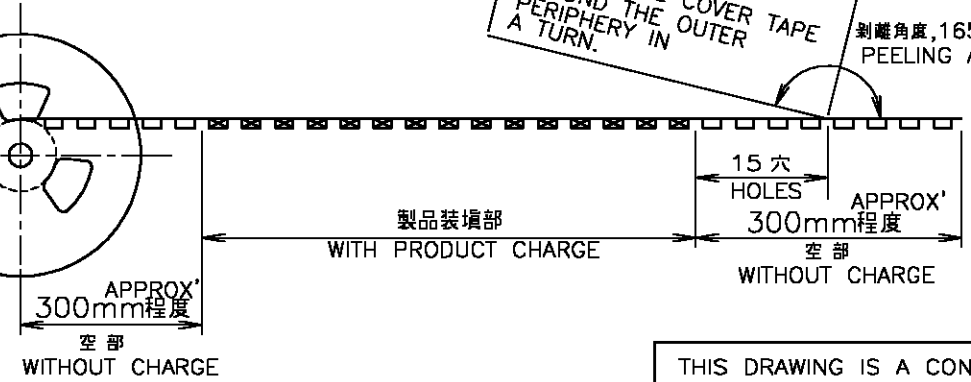
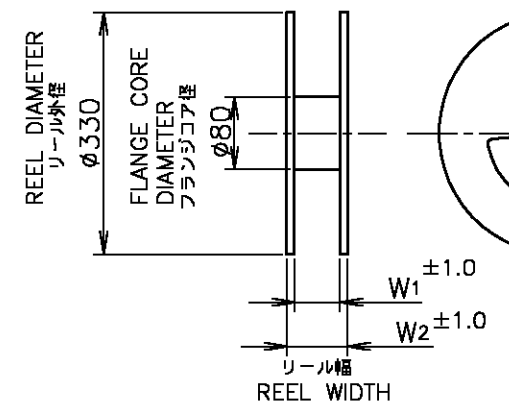


テープ幅
TAPE WIDTH

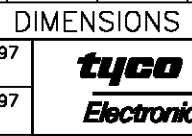


引出し方向
TOP OF REEL →

カバーテープ
リーダー部
外周一巻
WEEDING AROUND THE COVER TAPE PERIPHERY IN A TURN.
剥離角度, 165°~180°
PEELING ANGLE.



48.7	45.5	28.4	44	40.4	20.2	1000	60	6-316514-0
W2	W1	D	C	B	A	数量 (ヶ) QTY/REEL	極数 POS	リール巻 コネクタ型番 TAPING P/N



Tyco Electronics AMP K.K.
Kawasaki, Japan

THIS DRAWING IS A CONTROLLED DOCUMENT.

DWN	Y.NAKAZAWA	28FEB97
CHK	S.KUBOUCHI	13MAR97
APVD	S.KUBOUCHI	13MAR97
PRODUCT SPEC	製品規格	
APPLICATION SPEC	取付適用規格	
WEIGHT		

ON TAPING EMBOSS
0.8mm PITCH FINE MATE CONN
RECEPTACLE ASSEMBLY WITH KEY & BOSS V-TYPE

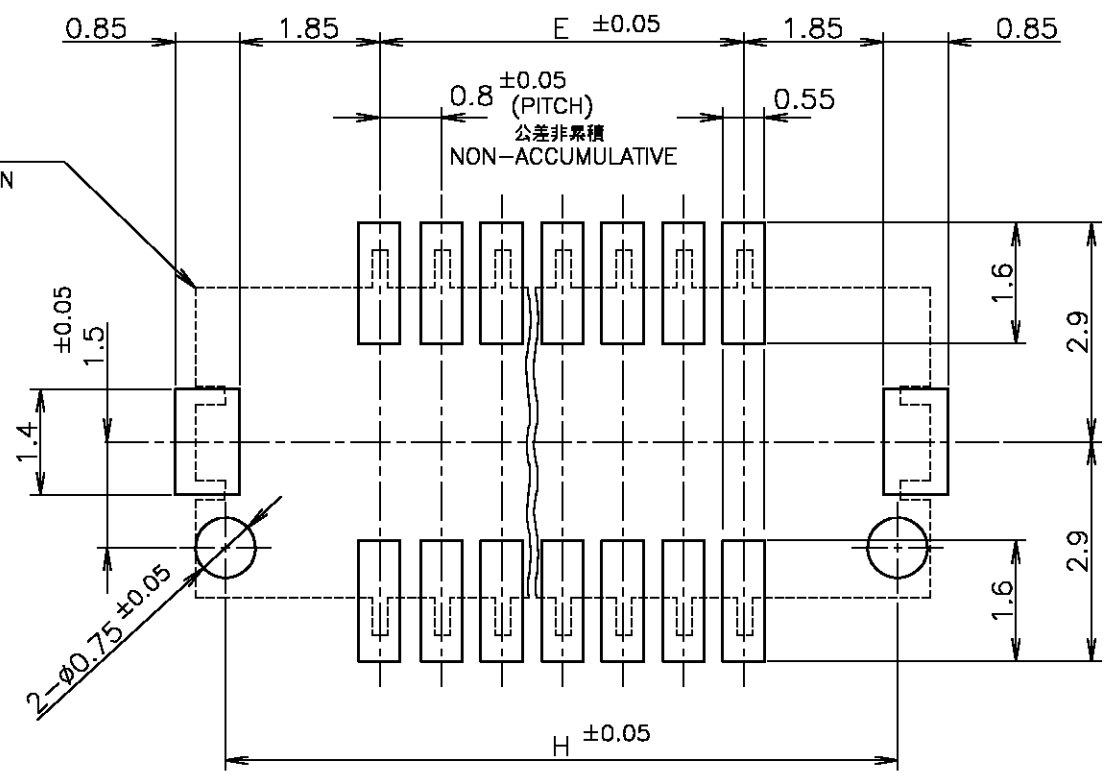
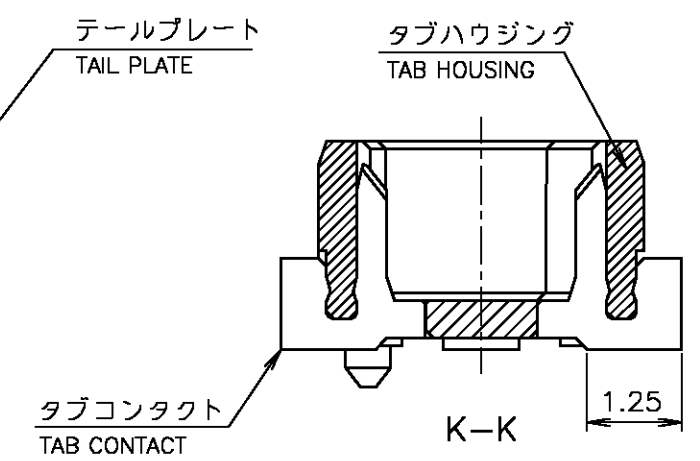
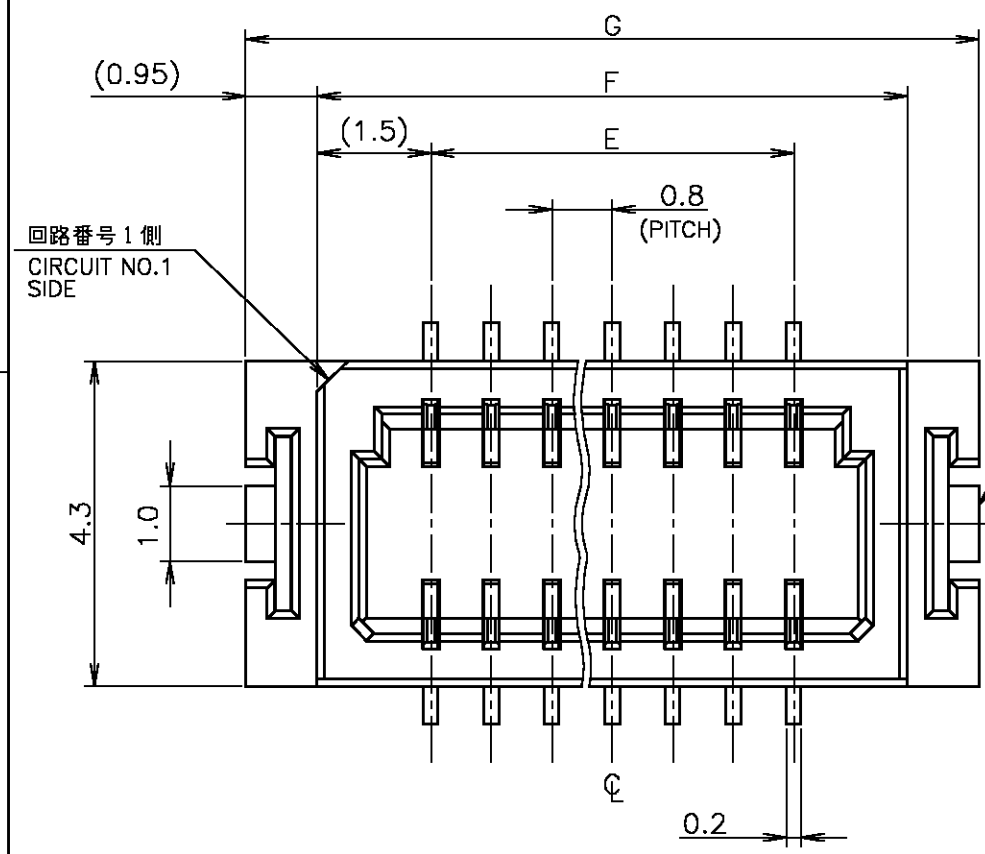
SIZE	CAGE CODE	DRAWING NO	RESTRICTED TO
A3	00779	C-316514	

GENERAL TOLERANCE
一般公差
10 ≥ : ±0.2
30 ≥ > 10: ±0.25
100 ≥ > 30: ±0.3
ANGLES: ±3'

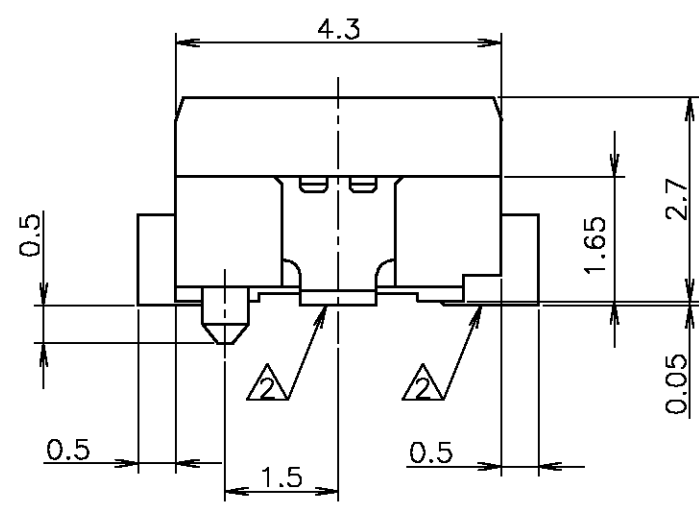
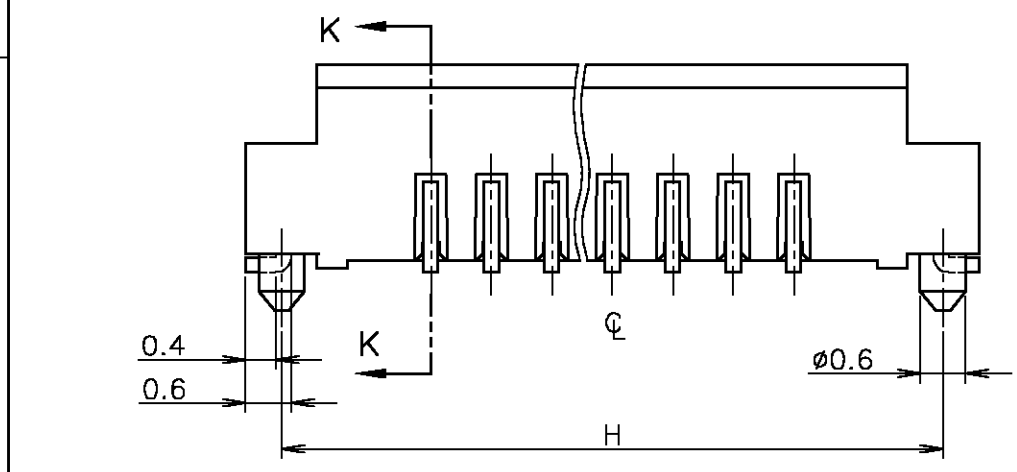
DIMENSIONS: 単位: 筈 mm	TOLERANCES UNLESS OTHERWISE SPECIFIED: 一般公差
0 PLC	±
1 PLC	±
2 PLC	±
3 PLC	±
4 PLC	±
ANGLES	±
MATERIAL 材料	FINISH 仕上

CUSTOMER DRAWING SCALE 4:1 SHEET 1 OF 2 REV A

本図：コネクタ図
AS SHOWN: CONNECTOR DWG



参考基板加工寸法
REFERENCE P.C BOARD LAYOUT



- 1 材料：タブハウジング：46ナイロン (耐熱性樹脂)
- タブコンタクト：銅合金 (t=0.2mm) 金めっき
- テールプレート：銅合金 (t=0.2mm) はんだめっき

△ 全てのタイン部及びテールプレートのバラツキは 0.1mm MAX.

- 1 MATERIAL
- TAB HOUSING: 46 NYLON (HIGH HEAT-RESISTED RESIN)
- TAB CONTACT: COPPER-ALLOY (t=0.2mm) Au PLATING
- TAIL PLATE: COPPER-ALLOY (t=0.2mm) TIN-LEAD PLATING

△ MISALIGNMENT BETWEEN TAINS AND TAIL PLATE: 0.1mm MAX.

GENERAL TOLERANCE 一般公差

10 ≥	±0.2
30 ≥ > 10	±0.25
100 ≥ > 30	±0.3
ANGLES	±3°

THIS DRAWING IS A CONTROLLED DOCUMENT.

DIMENSIONS: 単位： 毫 mm	TOLERANCES UNLESS OTHERWISE SPECIFIED: 一般公差
	0 PLC ±
	1 PLC ±
	2 PLC ±
	3 PLC ±
MATERIAL 材料	4 PLC ±
	ANGLES ±
	FINISH 仕上

INSTRUCTION SHEET 取扱説明書 411-5808	27.15	28.1	26.2	23.2	60	6-316514-0
DWN	H	G	F	E	極数 POS	型番 PART NO
CHK	Tyco Electronics AMP K.K. Kawasaki, Japan					
APVD	NAME 名称					
PRODUCT SPEC 製品規格 108-5512	ON TAPING EMBOSS 0.8mm PITCH FINE MATE CONN RECEPTACLE ASSEMBLY WITH KEY & BOSS V-TYPE					
APPLICATION SPEC 取付適用規格	SIZE	CAGE CODE	DRAWING NO 番号	RESTRICTED TO		
WEIGHT	A3	00779	C-316514	-		
CUSTOMER DRAWING	SCALE 尺度 10:1	SHEET 2	OF 2	REV A		