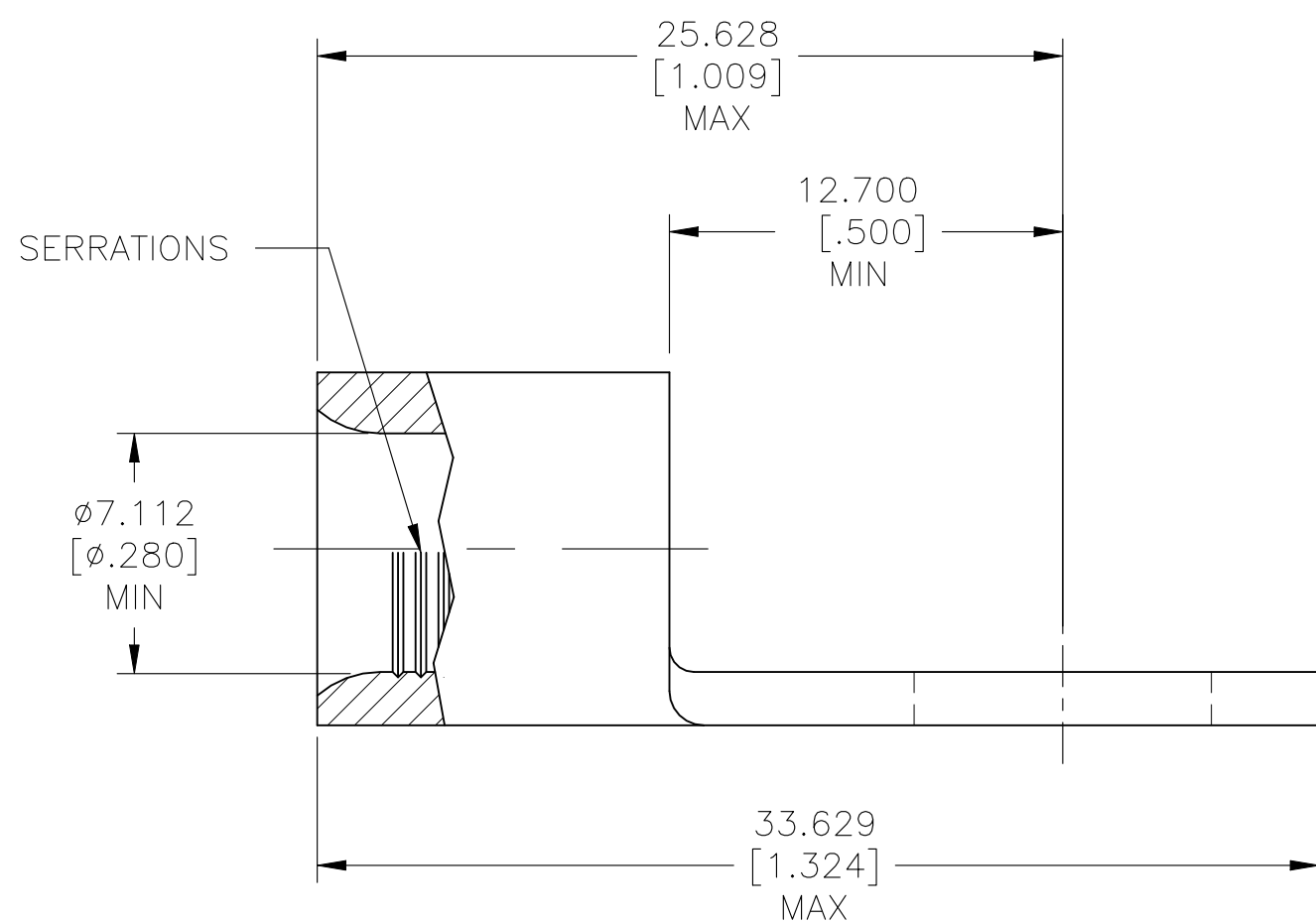
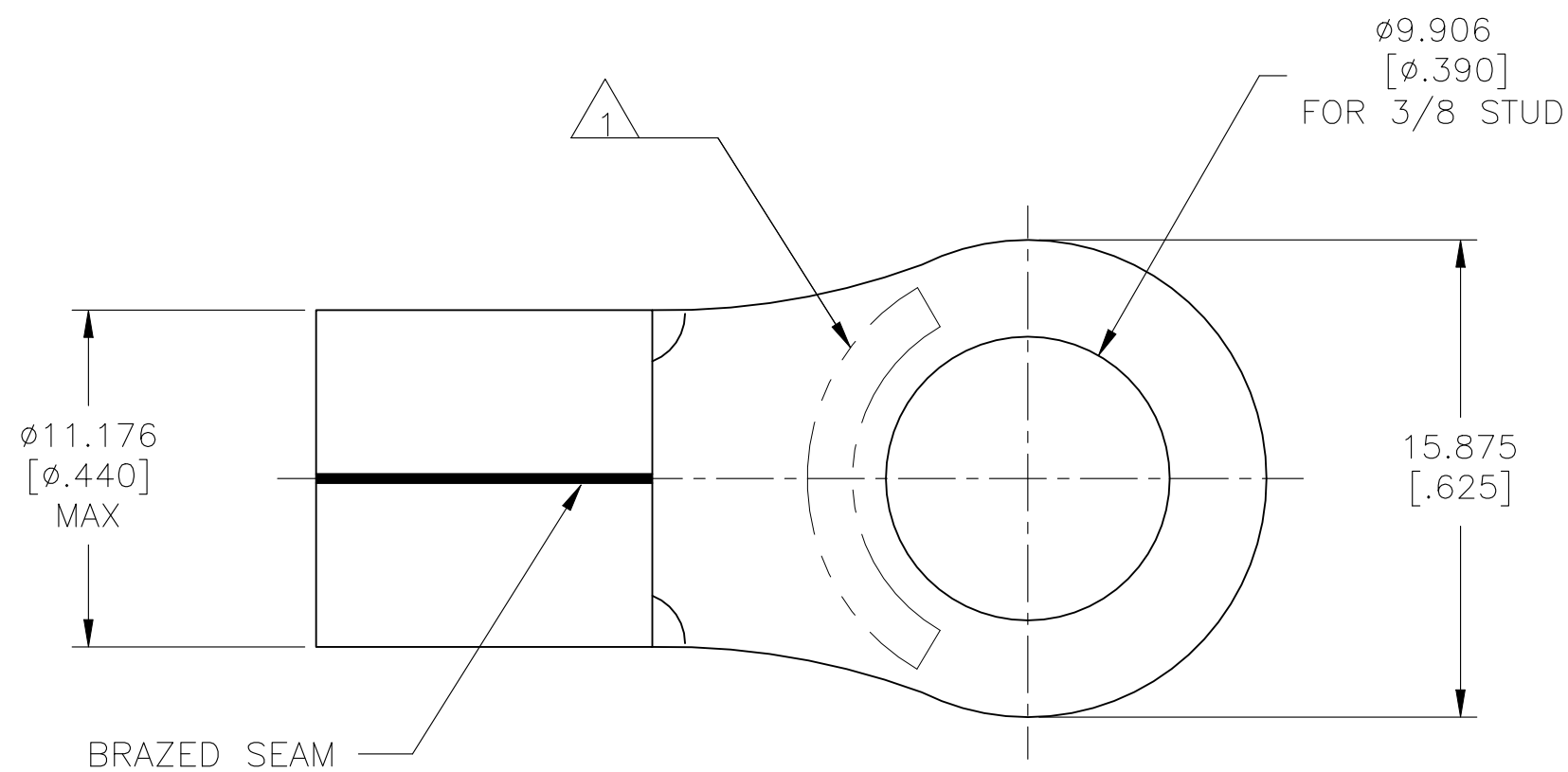


REVISIONS					
P	LTR	DESCRIPTION	DATE	DWN	APVD
G6		REVISED PER ECR-23-175862	30MAY2023	LP	DSC



AMP WIRE RANGE	Listed FILE E13288	LR7189 Certified
4 AWG SOLID OR STRANDED	4 AWG STRANDED	4 AWG SOLID OR STRANDED

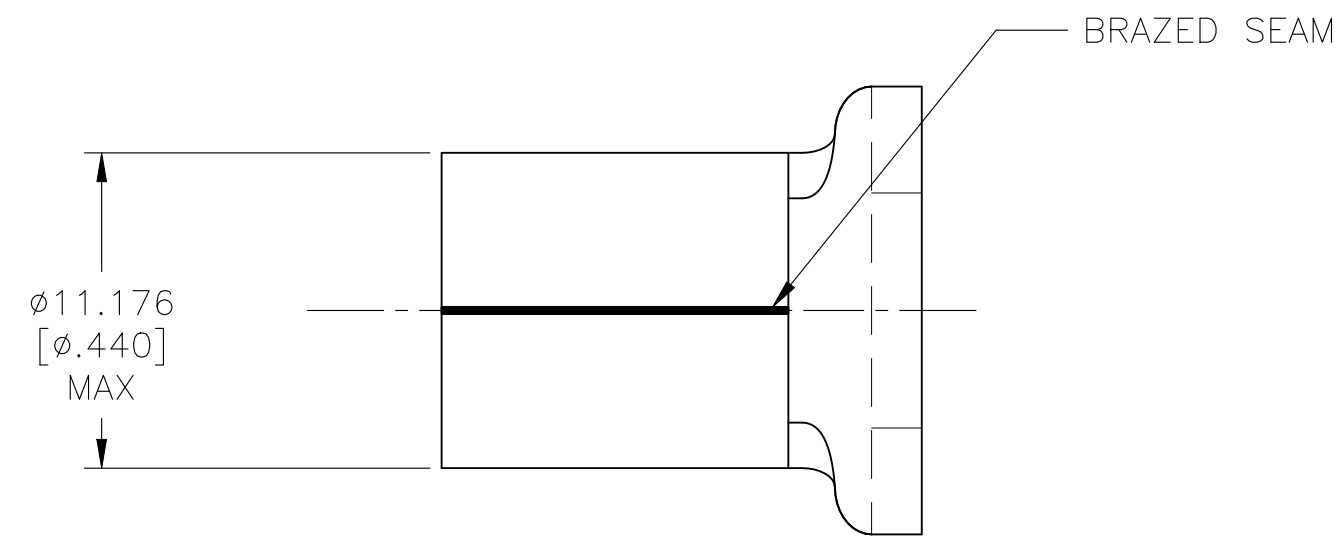
- 1 STAMP AMP 4W* 40-50 APPROX AS SHOWN
- 2 FINISH: TIN PLATE 0.00254 [.000100] MIN
EXT THK PER ASTM B545
- 3 NOTE DELETED
- 4 MATERIAL: COPPER PER ASTM B152, ANNEALED
- 5 NOTE DELETED
- 6 NOTE DELETED
- 7 NOTE DELETED
- 8 BODY MATERIAL THK: 1.778±0.051[.070±.002]

2	100	LOOSE PIECE	31812-1
1	100	LOOSE PIECE	31812
SHEET	QTY	PACKAGE TYPE	PART NO.

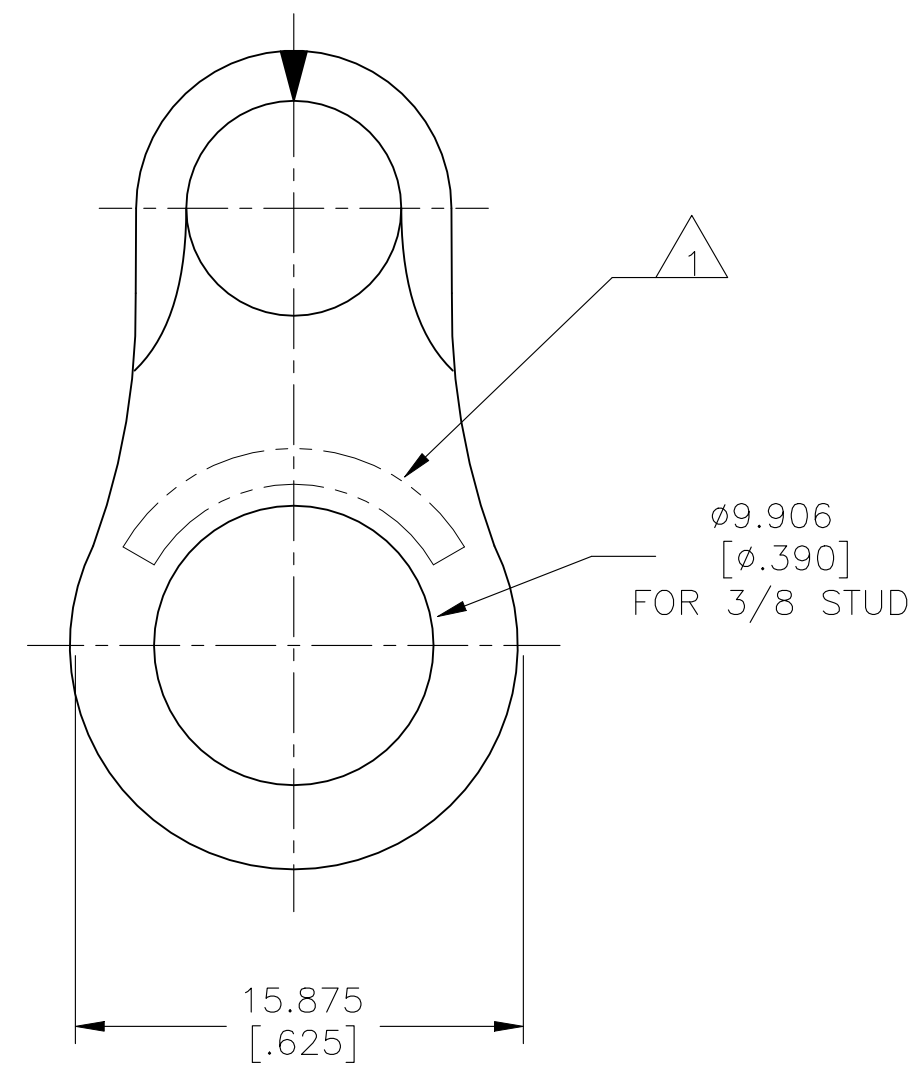
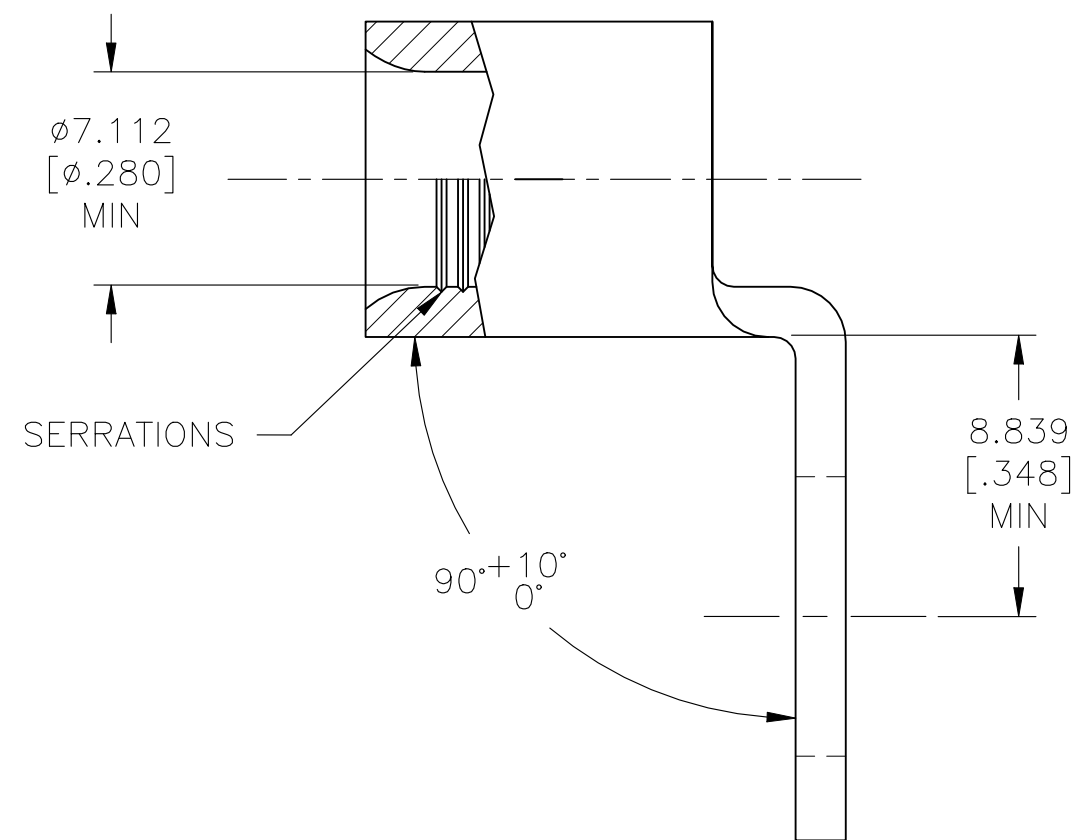
AMP INCORPORATED CUSTOMER SERVICE SYSTEMS		
FOR ADDITIONAL PRODUCT INFORMATION OR COPIES OF DRAWINGS AND TECHNICAL DOCUMENTS	PRODUCT INFORMATION CENTER 1-800-522-6752	MAX RECOMMENDED OPERATING TEMPERATURE: 170°C[338°F] MAX
FOR APPLICATION TOOLING INFORMATION	TOOLING ASSISTANCE CENTER 1-800-722-1111	VOLTAGE RATING: N/A
FOR ORDER ENTRY	1-800-526-5142	CIRCULAR MIL AREA: 16.8-26.7mm²[33,100-52,600] SOLID OR STRANDED

THIS DRAWING IS A CONTROLLED DOCUMENT.		DWN TA BRINKMAN 3-29-93	TE Connectivity	
DIMENSIONS: mm [INCHES]		CHK DA PATTERSON 3-29-93		
TOLERANCES UNLESS OTHERWISE SPECIFIED:		APVD JL MECKLEY 3-29-93	NAME JL MECKLEY	
0 PLC ± -		PRODUCT SPEC	UL 486A-B	
1 PLC ± -		APPLICATION SPEC	-	
2 PLC ± -		WEIGHT	-	
3 PLC ± 0.127[.005]		SIZE	A2	
4 PLC ± -		CAGE CODE	00779	
4 ANGLES ± -		DRAWING NO	C=31812	
MATERIAL	FINISH	RESTRICTED TO	-	
4	2	SCALE	4:1	
CUSTOMER DRAWING		SHEET	1 of 2	
		REV	G6	

P	LTR	DESCRIPTION	DATE	DWN	APVD
-	-	SEE SHEET 1	-	-	-



AMP WIRE RANGE	Listed FILE E13288	LR7189 Certified
4 AWG SOLID OR STRANDED	4 AWG STRANDED	4 AWG SOLID OR STRANDED



31812-1 ONLY

AMP INCORPORATED
CUSTOMER SERVICE SYSTEMS

FOR ADDITIONAL PRODUCT INFORMATION OR COPIES OF DRAWINGS AND TECHNICAL DOCUMENTS	PRODUCT INFORMATION CENTER 1-800-522-6752	RECOMMENDED OPERATING TEMPERATURE: 170°C[338°F] MAX
FOR APPLICATION TOOLING INFORMATION	TOOLING ASSISTANCE CENTER 1-800-722-1111	VOLTAGE RATING: NOT APPLICABLE
FOR ORDER ENTRY	1-800-526-5142	CIRCULAR MIL AREA: 16.8-26.7mm ² [33,100-52,600] SOLID OR STRANDED

THIS DRAWING IS A CONTROLLED DOCUMENT.		DWN TA BRINKMAN 3-29-93	TE Connectivity		
DIMENSIONS: mm [INCHES]		CHK DA PATTERSON 3-29-93			
TOLERANCES UNLESS OTHERWISE SPECIFIED:		APVD JL MECKLEY 3-29-93	NAME TERMINAL, RING, TONGUE, SOLISTRAND, WIRE SIZE: 4 AWG		
0 PLC ± - 1 PLC ± - 2 PLC ± - 3 PLC ± 0.127[.005] 4 PLC ± - ANGLES ± -		PRODUCT SPEC UL 486A-B	SIZE A2	CAGE CODE 00779	DRAWING NO C=31812
MATERIAL 	FINISH 	WEIGHT -	RESTRICTED TO -	SCALE 4:1	SHEET 2 OF 2
CUSTOMER DRAWING			REV G6		