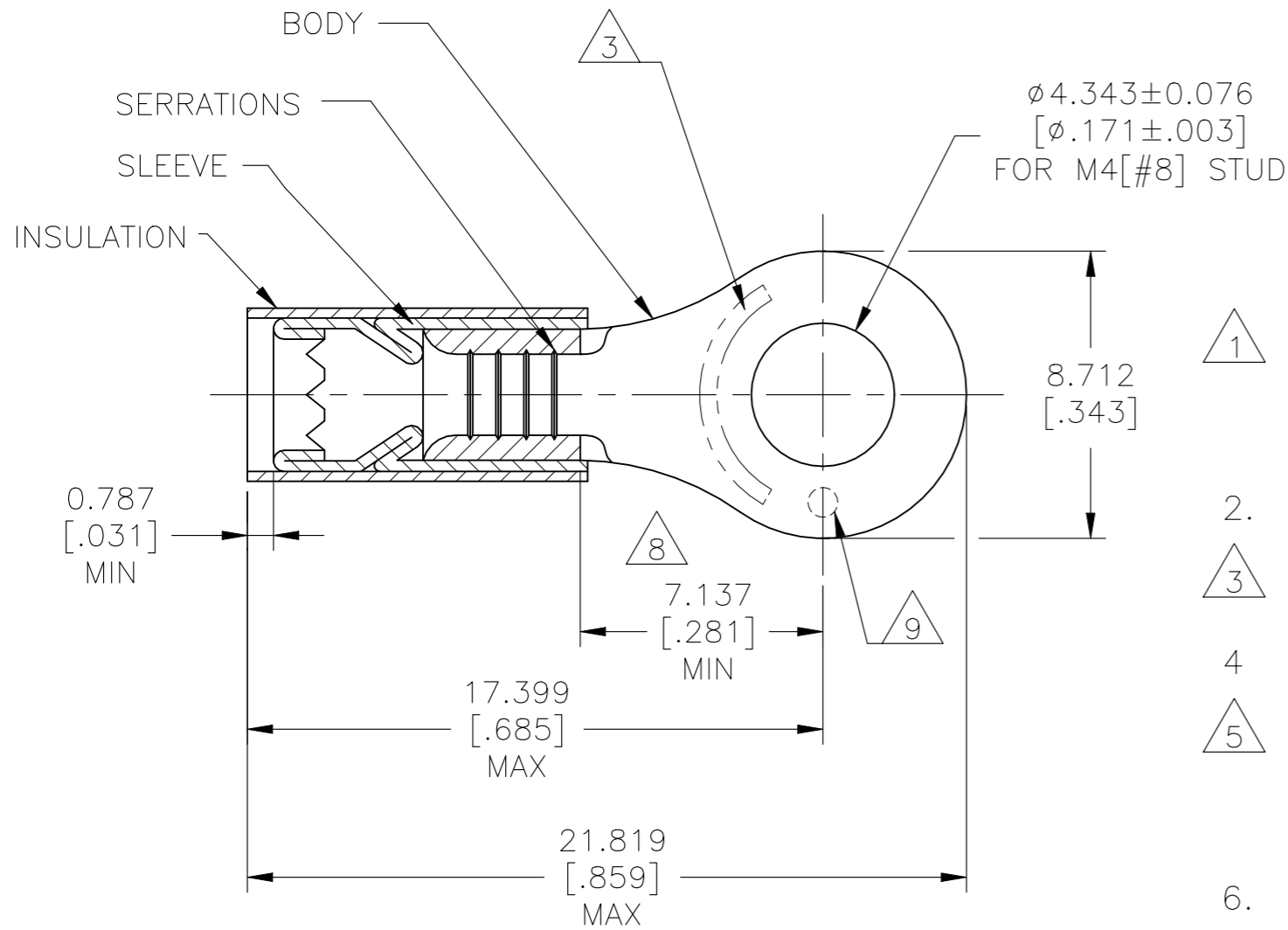


P	LTR	DESCRIPTION	DATE	DWN	APVD
T		REVISED PER ECR-23-181664	27JUN2023	SA	DSC



AMP WIRE RANGE	Listed FILE E13288	LR7189 Certified
16-14 AWG SOLID OR STRANDED	16-14 AWG SOLID OR STRANDED	16-14 AWG SOLID OR STRANDED

- 1 FINISH:
BODY & SLEEVE - TIN PLATE 0.00254[.000100] MIN EXT THK PER ASTM B545
INSULATION COLOR - BLUE
- 2. NOTE DELETED
- 3 STAMP AMP 16-14* APPROX AS SHOWN
- 4 NOTE DELETED
- 5 MATERIAL:
BODY & SLEEVE - COPPER PER ASTM B152
INSULATION - PVC
- 6. BODY MATERIAL THK: 0.787±0.051[.031±.002]
- 7. WIRE INSULATION DIAMETER: ϕ 2.667[.105] TO ϕ 3.810[.150]
- 8 APPLIES FROM EDGE OF METAL WIRE BARREL TO CENTER OF STUD HOLE
- 9 DIMPLE STAMP MARK OPTIONAL

100	LOOSE PIECE	31899
QUANTITY	DESCRIPTION	PART NO

AMP INCORPORATED CUSTOMER SERVICE SYSTEMS		MAX RECOMMENDED OPERATING TEMPERATURE: 105°C [221°F]	THIS DRAWING IS A CONTROLLED DOCUMENT.		DWN 27JUN2023 SANTOSHACHAR S	TE Connectivity			
FOR ADDITIONAL PRODUCT INFORMATION OR COPIES OF DRAWINGS AND TECHNICAL DOCUMENTS	PRODUCT INFORMATION CENTER 1-800-522-6752	VOLTAGE RATING: 300 V MAX	DIMENSIONS: mm [INCHES]	TOLERANCES UNLESS OTHERWISE SPECIFIED:	CHK 27JUN2023 SUVARNA CHETHAN D				NAME
FOR APPLICATION TOOLING INFORMATION	TOOLING ASSISTANCE CENTER 1-800-722-1111	WIRE CROSS SECTIONAL AREA RANGE: 1.04-2.62mm ² [2050-5180] CIR MILS SOLID OR STRANDED		0 PLC ± - 1 PLC ± - 2 PLC ± - 3 PLC ± 0.127[.005] 4 PLC ± - ANGLES ± -	APVD 27JUN2023 SUVARNA CHETHAN D	TERMINAL, P.I.D.G RING TONGUE WIRE SIZE: 16-14 AWG			
FOR ORDER ENTRY	1-800-526-5142	THIS DRAWING IS A CONTROLLED DOCUMENT FOR AMP INCORPORATED. IT IS SUBJECT TO CHANGE AND THE CONTROLLING ENGINEERING ORGANIZATION SHOULD BE CONTACTED FOR THE LATEST REVISION	MATERIAL	FINISH	PRODUCT SPEC UL 486A-B	SIZE	CAGE CODE	DRAWING NO	RESTRICTED TO
					114-2157	A3	00779	C-31899	-
					CUSTOMER DRAWING	SCALE	1:1	SHEET	1 OF 1
								REV	T