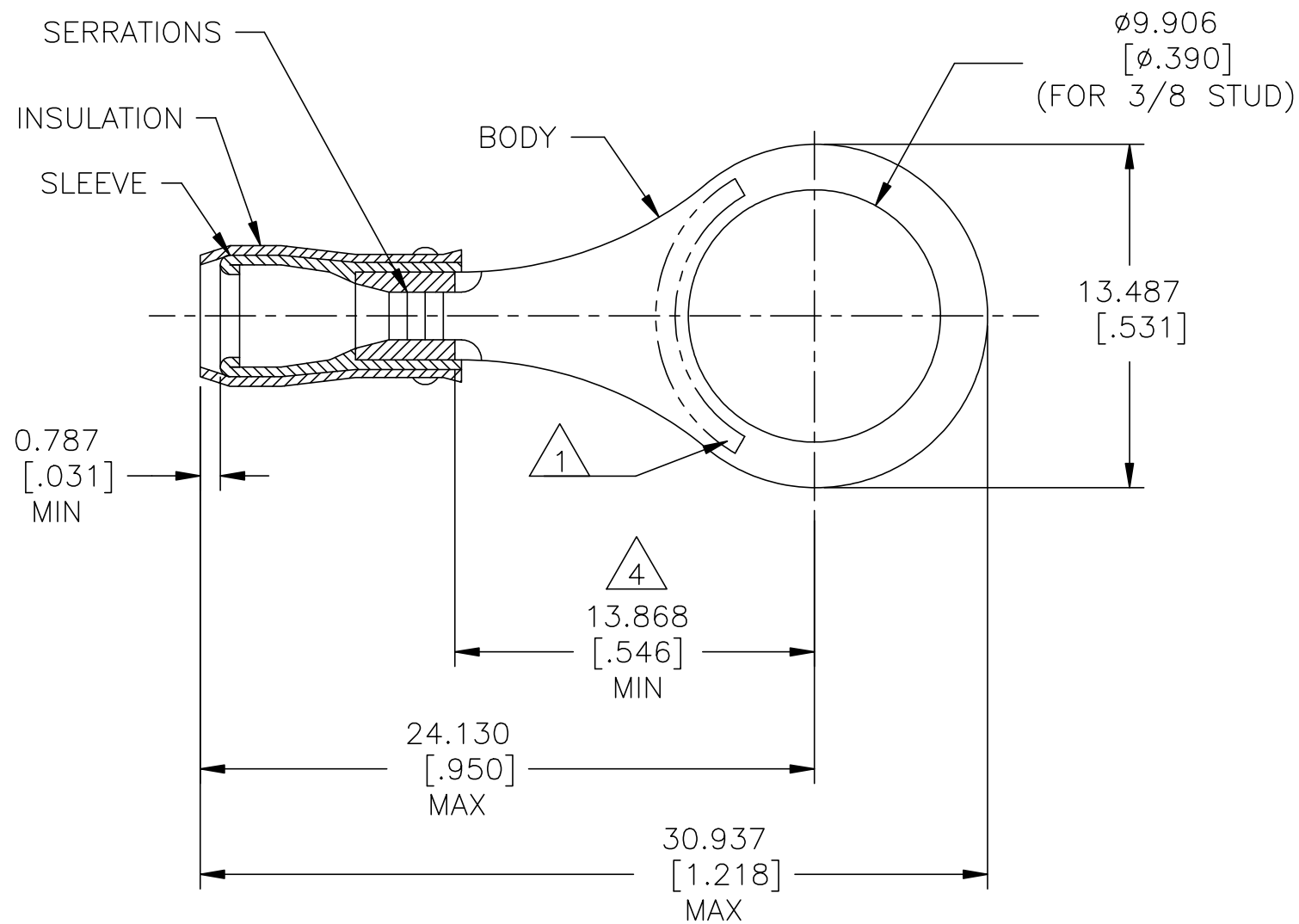


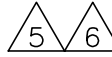
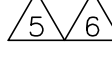
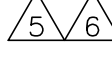

© - TE Connectivity. All Rights Reserved.


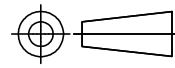



REVISIONS				
P	LTR	DESCRIPTION	DATE	DWN APVD
	Z	REVISED PER ECR-23-175984	31MAY2023	BB DSC

<b>AMP</b> WIRE RANGE	 E13288 Listed	 LR7189 Certified
22-16 AWG SOLID OR STRANDED	22-16 AWG STRANDED	22-16 AWG SOLID OR STRANDED



- 1 STAMP AMP 22-18\* LOCATE APPROX AS SHOWN 22-16 TERMINALS ARE STAMPED 22-18 IN ACCORDANCE WITH MILITARY SPEC SAE AS7928 COMMERCIAL WIRE RANGE IS 22-16.
- 2 WIRE INSULATION DIA :  $\phi 2.032[\phi .080]-\phi 3.175[\phi .125]$ .
- 3 BODY MATERIAL THK:  $0.787\pm 0.051[.031\pm .002]$ .
- 4 APPLIES FROM EDGE OF METAL WIRE BARREL TO CENTER OF STUD HOLE.
- 5 UL LISTED
- 6 CSA CERTIFIED
- 7 MATERIAL:  
BODY & SLEEVE - COPPER PER ASTM B152  
INSULATION - NYLON
- 8 FINISH:  
BODY & SLEEVE - TIN PLATE  $0.00254[.000100]$   
MIN EXT THK PER ASTM B545  
INSULATION COLOR - RED


 	-	5000	ON TAPE	2-320573-4
 	MS 25036-105 CLASS 1	1000	LOOSE PIECE	320573
	MILITARY P/N AND CLASS	QUANTITY	PACKAGE TYPE	PART NO

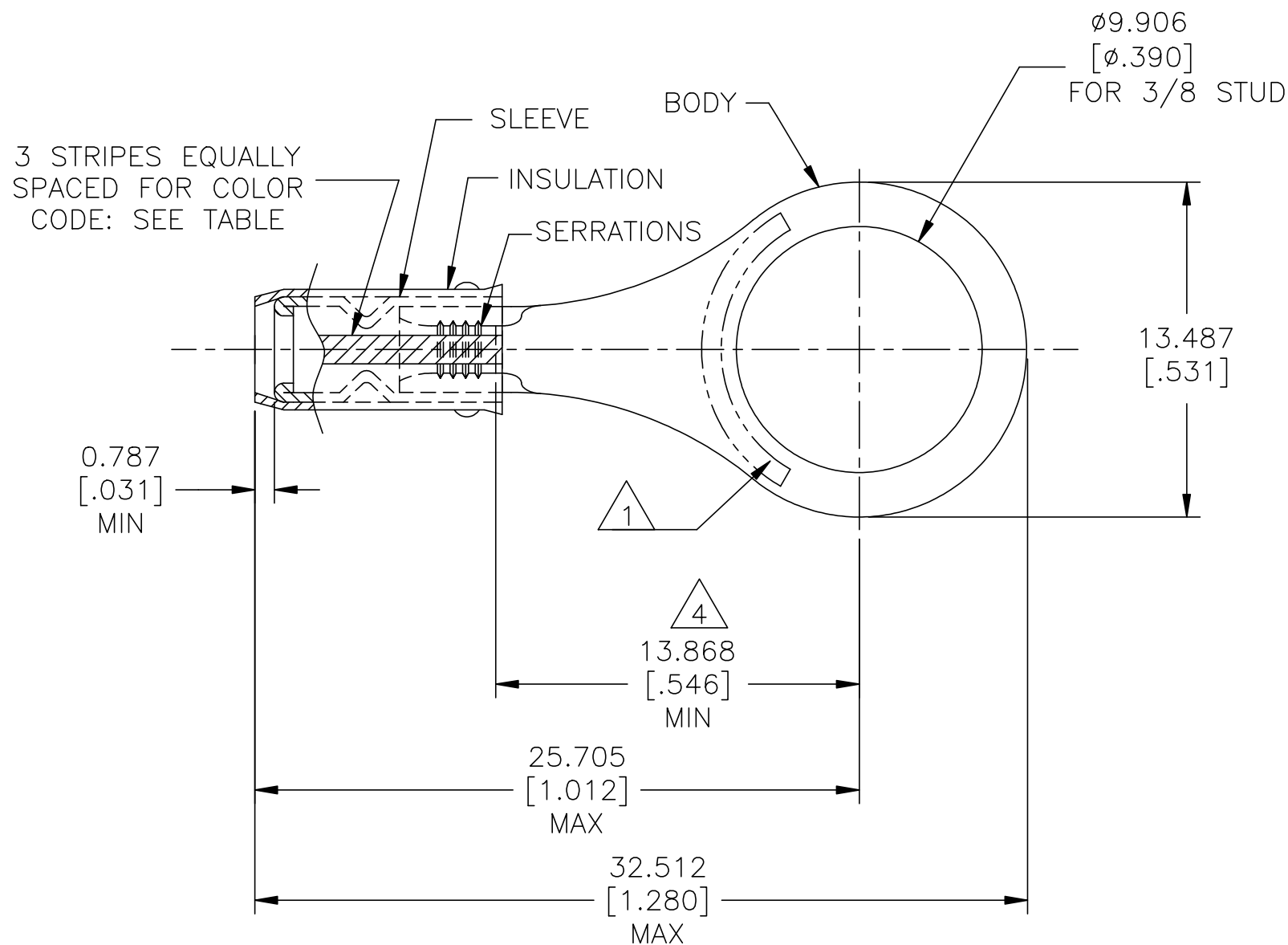
AMP INCORPORATED CUSTOMER SERVICE SYSTEMS		MAX RECOMMENDED OPERATING TEMPERATURE: 105°C[221°F] MAX	THIS DRAWING IS A CONTROLLED DOCUMENT.		DWN DK SCHRUM 9/93	 TE Connectivity Ltd.
FOR ADDITIONAL PRODUCT INFORMATION OR COPIES OF DRAWINGS AND TECHNICAL DOCUMENTS	PRODUCT INFORMATION CENTER 1-800-522-6752	VOLTAGE RATING: 300 V MAX	DIMENSIONS: mm [INCHES]	TOLERANCES UNLESS OTHERWISE SPECIFIED:	CHK RE HERSEY 9/93	
FOR APPLICATION TOOLING INFORMATION	TOOLING ASSISTANCE CENTER 1-800-722-1111	CIRCULAR MIL AREA: 0.26-1.65mm (509-3,260) CIR MILS SOLID OR STRANDED		0 PLC ± - 1 PLC ± - 2 PLC ± - 3 PLC ± 0.127[.005] 4 PLC ± - ANGLES ± -	APVD ML ELLIS 9/93	NAME TERMINAL, RING TONGUE, PIDG™, WIRE SIZE, 22-16 AWG
FOR ORDER ENTRY	1-800-526-5142		MATERIAL 	FINISH 	PRODUCT SPEC UL 486A-B 	SIZE CAGE CODE DRAWING NO RESTRICTED TO
					APPLICATION SPEC 114-2157	A3 00779 C=320573
					WEIGHT -	SCALE 4:1 SHEET 1 OF 2 REV Z
					CUSTOMER DRAWING	

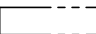
© - TE Connectivity. All Rights Reserved.

REVISIONS

P	LTR	DESCRIPTION	DATE	DWN	APVD
-	-	SEE SHEET 1	-	-	-

<b>AMP</b> WIRE RANGE	 LR7189 Certified
SEE TABLE STRANDED	WIRE SIZE PER TABLE STRANDED



- 1 STAMP AMP  LOCATE APPROX AS SHOWN SEE TABLE BELOW.
- 2 WIRE INSULATION DIA : ø0.965-2.794[ø.038-.110]FOR 22 AWG.  
ø1.168-2.794[ø.046-.110]FOR 20 AWG.  
ø1.422-2.794[ø.056-.110]FOR 18 AWG.
- 3 BODY MATERIAL THK: 0.787±0.051[.031±.002].
- 4 APPLIES FROM EDGE OF METAL WIRE BARREL TO CENTER OF STUD HOLE.
- 5 CSA CERTIFIED
- 6 MATERIAL:  
BODY & SLEEVE - COPPER PER ASTM B152  
INSULATION - NYLON
- 7 FINISH:  
BODY & SLEEVE - TIN PLATE 0.00254[.000100] MIN EXT THK PER ASTM B545  
INSULATION COLOR - RED

5	M7928/1-36 CLASS 1	WHITE	18*	18	1000	LOOSE PIECE	2-320573-3	
5	M7928/1-27 CLASS 1	RED	20*	20			2-320573-2	
5	M7928/1-18 CLASS 1	GREEN	22*	22			2-320573-1	
	MILITARY P/N AND CLASS	STRIPE COLOR	1	STAMPING	WIRE SIZE	QTY	PACKAGE TYPE	PART NO

AMP INCORPORATED  
CUSTOMER SERVICE SYSTEMS

MAX RECOMMENDED OPERATING  
TEMPERATURE:  
105°C[221°F] MAX

THIS DRAWING IS A CONTROLLED DOCUMENT.

DWN DK SCHRUM 9/93



FOR ADDITIONAL  
PRODUCT INFORMATION OR  
COPIES OF DRAWINGS  
AND TECHNICAL DOCUMENTS

PRODUCT INFORMATION CENTER  
1-800-522-6752

VOLTAGE RATING:  
300 V MAX

DIMENSIONS:  
mm [INCHES]

TOLERANCES UNLESS  
OTHERWISE SPECIFIED:

CHK RE HERSEY 9/93

APVD ML ELLIS 9/93

PRODUCT SPEC

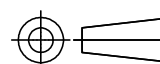
APPLICATION SPEC  
114-2157

NAME  
TERMINAL, RING TONGUE,  
I.R., PIDG™,  
WIRE SIZE, 22,20 & 18 AWG

FOR APPLICATION  
TOOLING INFORMATION

TOOLING ASSISTANCE CENTER  
1-800-722-1111

WIRE RANGE: CIRC MIL AREA  
22 0.38mm²[754]  
20 0.60mm²[1,186]  
18 0.96mm²[1,900]  
STRANDED



0 PLC ± -  
1 PLC ± -  
2 PLC ± -  
3 PLC ± 0.127[.005]  
4 PLC ± -  
ANGLES ± -

WEIGHT -

SIZE A3 CAGE CODE 00779 DRAWING NO C-320573 RESTRICTED TO -

FOR ORDER ENTRY  
1-800-526-5142



CUSTOMER DRAWING

SCALE 4:1 SHEET 2 OF 2 REV Z