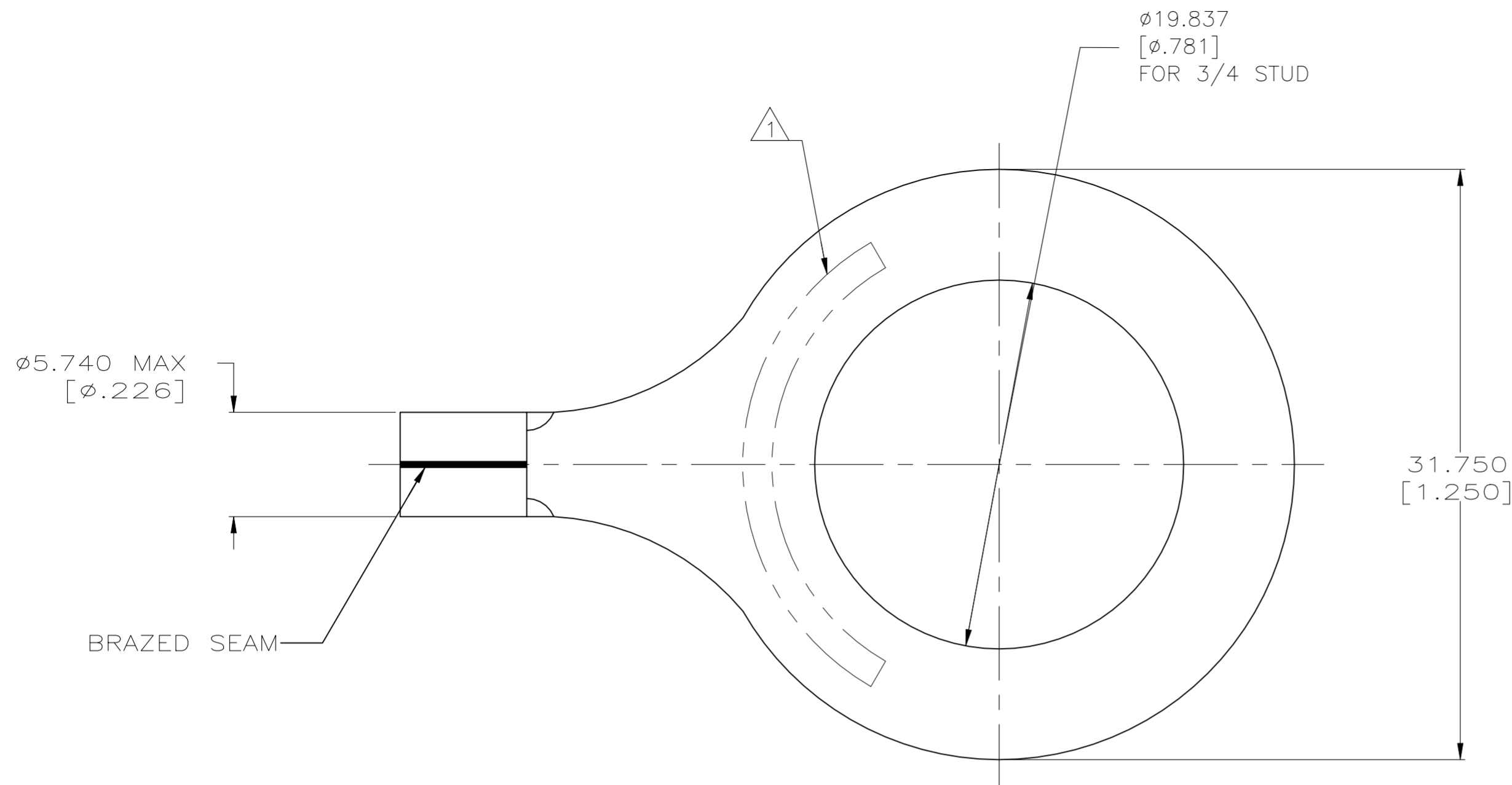


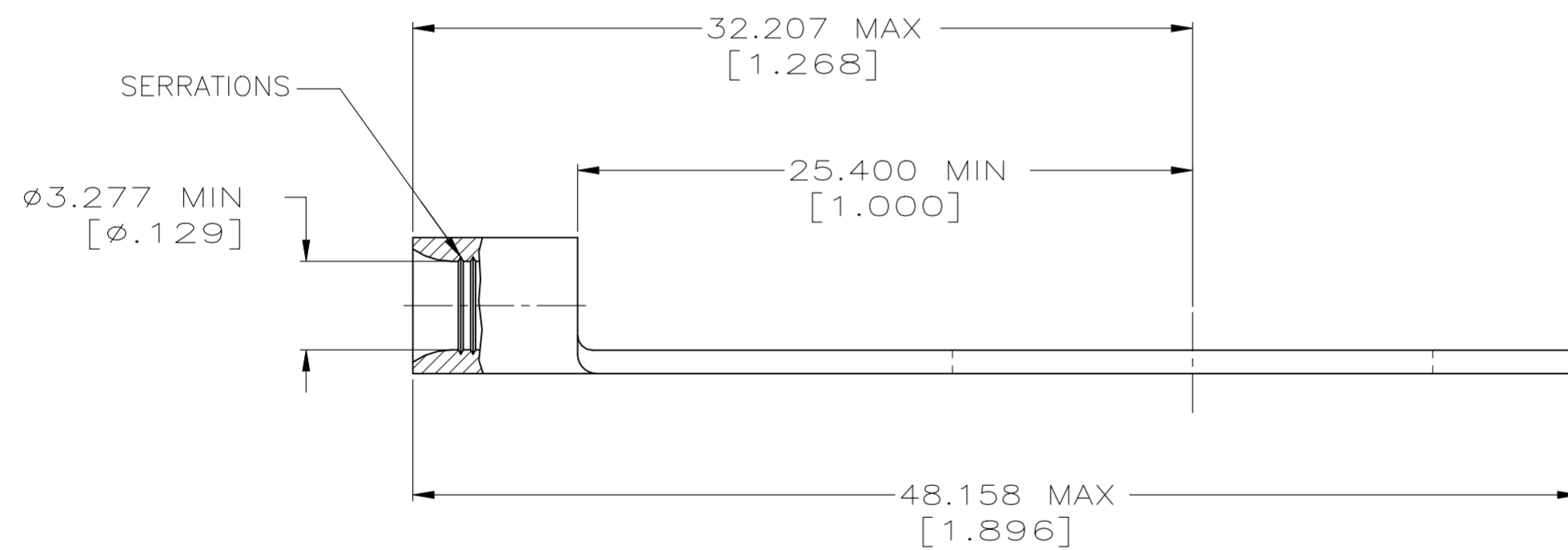
P		LTR		DESCRIPTION	DATE	DWN	APVD
	K1			REVISED PER ECR-24-201401	30AUG2024	LP	DSC

**METRIC**  
DIMENSIONS LISTED IN mm [ INCHES ]



<b>AMP</b> WIRE RANGE	E13288 Listed
12-10 AWG SOLID OR STRANDED	12-10 AWG STRANDED
LR7189 Certified	MILITARY P/N AND CLASS
12-10 AWG SOLID OR STRANDED	NOT APPLICABLE

- 1 STAMP AMP 12-10\* APPROX AS SHOWN
- 2 MATERIAL: COPPER PER ASTM B152, ANNEALED
- 3 FINISH: TIN PLATE 0.00254[.000100] MIN EXT THK PER ASTM B545
- 4 BODY MATERIAL THK: 0.991±0.051[.039±.002]



500	LOOSE PIECE	320765
QUANTITY	PACKAGING TYPE	PART NO

<b>AMP INCORPORATED CUSTOMER SERVICE SYSTEMS</b>		MAX RECOMMENDED OPERATING TEMPERATURE: 170° C [338°F]	THIS DRAWING IS A CONTROLLED DOCUMENT.		DWN TA BRINKMAN 3-17-93	TE Connectivity
FOR ADDITIONAL PRODUCT INFORMATION OR COPIES OF DRAWINGS AND TECHNICAL DOCUMENTS	PRODUCT INFORMATION CENTER 1-800-522-6752	VOLTAGE RATING: NOT APPLICABLE	DIMENSIONS: mm [INCHES]	TOLERANCES UNLESS OTHERWISE SPECIFIED:	CHK DA PATTERSON 3-17-93	
FOR APPLICATION TOOLING INFORMATION	TOOLING ASSISTANCE CENTER 1-800-722-1111	WIRE CROSS SECTIONAL AREA RANGE: 2.62-6.64mm <sup>2</sup> [5,180-13,100] CIR MILS SOLID OR STRANDED		0 PLC ± - 1 PLC ± - 2 PLC ± - 3 PLC ± 0.127[.005] 4 PLC ± - ANGLES ± -	APVD DE MILLER 3-17-93	
FOR ORDER ENTRY	1-800-526-5142	THIS DRAWING IS A CONTROLLED DOCUMENT FOR AMP INCORPORATED. IT IS SUBJECT TO CHANGE AND THE CONTROLLING ENGINEERING ORGANIZATION SHOULD BE CONTACTED FOR THE LATEST REVISION.	MATERIAL 2	FINISH 3	PRODUCT SPEC UL 486A-B	
					APPLICATION SPEC -	NAME TERMINAL, RING TONGUE, SOLISTRAND WIRE SIZE: 12-10 AWG
					WEIGHT -	SIZE A2
					CUSTOMER DRAWING	CAGE CODE 00779
						DRAWING NO C=320765
						RESTRICTED TO -
						SCALE 4:1
						SHEET 1 OF 1
						REV K1