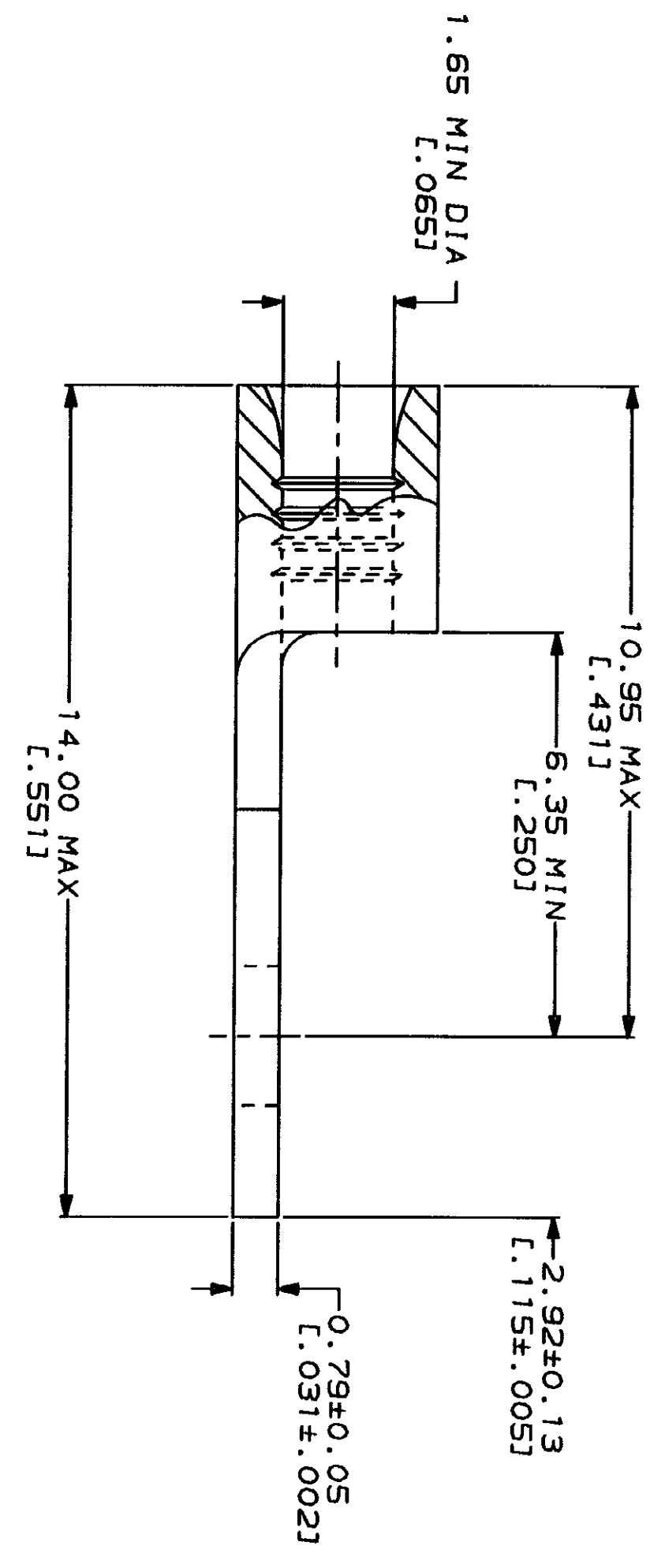
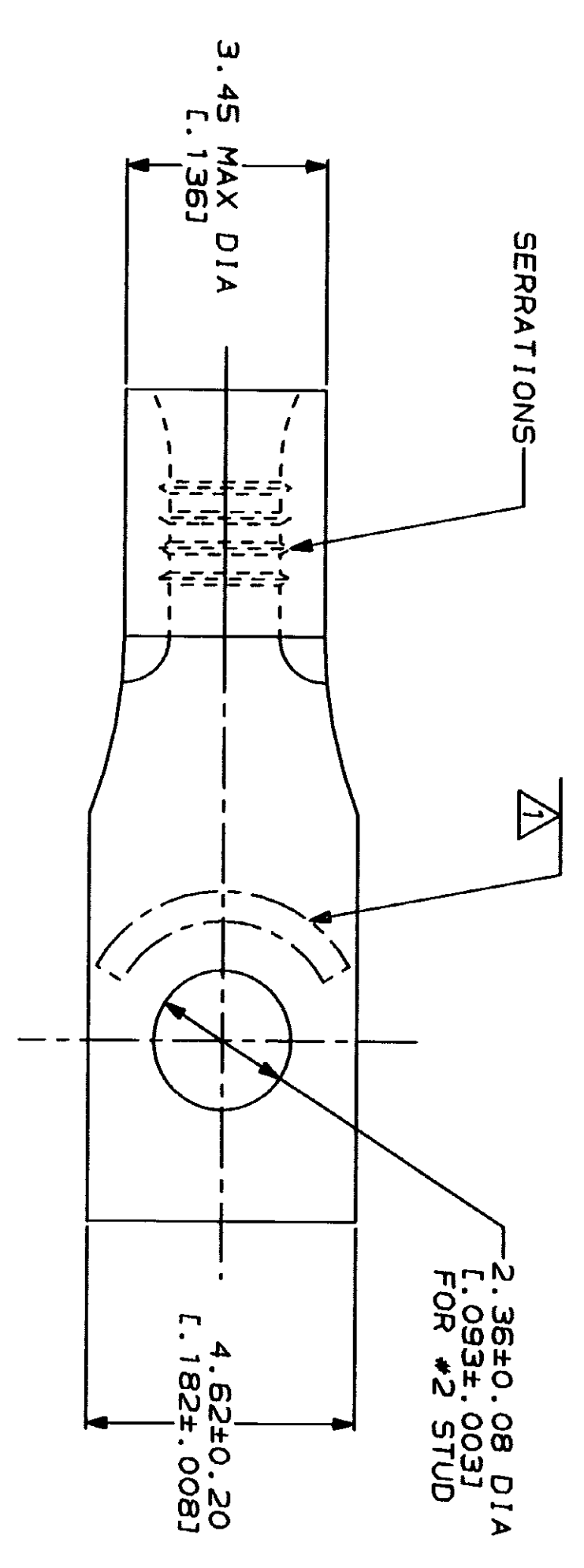
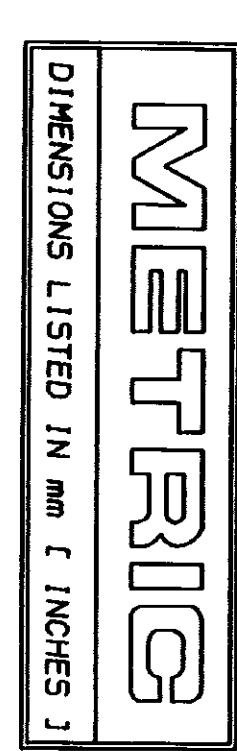


LOC	QTY	REV	DATE	APP'D
G	14	A	2/28/94	5010



△ STAMP AMP 22-18* APPROX AS SHOWN
 22-16 TERMINALS ARE STAMPED 22-18 IN
 ACCORDANCE WITH MILITARY SPECIFICATION
 MIL-T-7928, COMMERCIAL WIRE RANGE IS 22-16

AMP WIRE RANGE	IL E13288 Listed
22-16 AWG STRANDED	22-16 AWG STRANDED
LR7189 Certified	MILITARY P/N AND CLASS
NOT CERTIFIED	NOT APPLICABLE

AMP INCORPORATED
 CUSTOMER SERVICE SYSTEMS

FOR ADDITIONAL PRODUCT INFORMATION OR COPIES OF DRAWINGS AND TECHNICAL DOCUMENTS	PRODUCT INFORMATION CENTER 1-800-522-6752
FOR APPLICATION TOOLS INFORMATION	TOOLING ASSISTANCE CENTER 1-800-722-1111
FOR ORDER ENTRY	1-800-526-5142

MAX RECOMMENDED OPERATING TEMPERATURE:
170°C MAX

VOLTAGE RATING:
NOT APPLICABLE

WIRE CROSS SECTIONAL AREA RANGE:
0.26-1.65mm² [509-3,260] CIR MILS STRANDED

DO NOT SCALE PRINT.
 UNLESS SPECIFIED DIMENSIONS IN MILLIMETERS - TOLERANCES ON: 1. 2 PLG DEC ± .05 3 PLG DEC ± .05 ANGLES ± .5°

FINISH: TIN PLATE
 0.00254 [L. 000100] MIN THK PER MIL-T-10727

AMP
 Amp Incorporated
 Harrisburg, PA 17105-3608

TERMINAL, RECTANGULAR TONGUE, BUDGET

SIZE	CAGE CODE	DRAWING NO
SCALE 10:1	00779	320870

320870
 PART NO