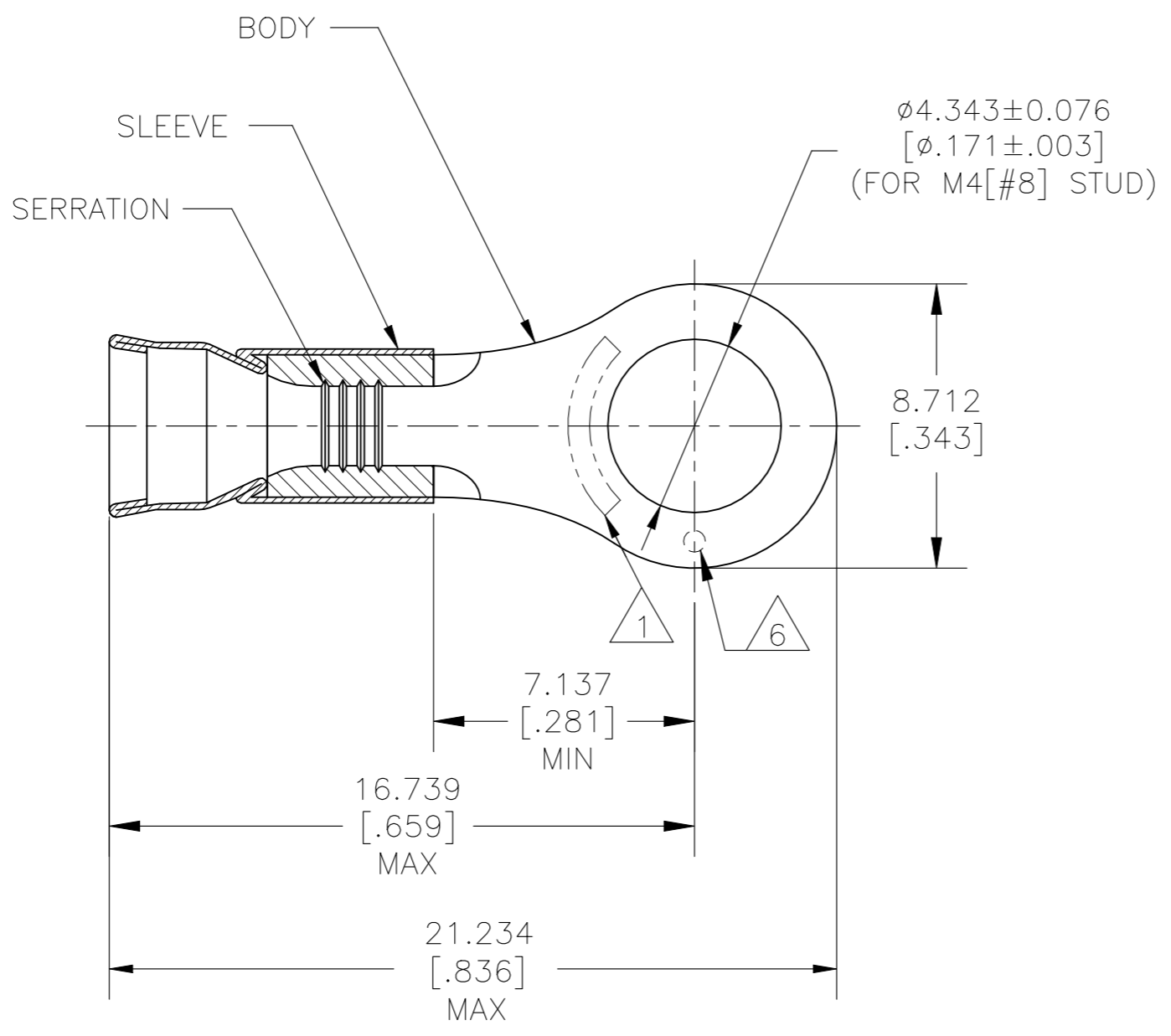


© - TE Connectivity. All Rights Reserved.

REVISIONS				
P	LTR	DESCRIPTION	DATE	APVD
	K	REVISED PER ECR-23-181664	08AUG2023	SA DSC



- 1 STAMP AMP 16-14\* APPROX AS SHOWN
- 2 WIRE INSULATION DIAMETER:  
ø2.032[.080] TO ø3.302[.130]
- 3 BODY MATERIAL THK: 0.787±0.051[.031±.002]
- 4 MATERIAL:  
BODY - COPPER PER ASTM B152  
SLEEVE - NICKEL SILVER PER ASTM B122
- 5 FINISH:  
BODY - NICKEL PLATE 0.00762[.000300]  
MIN EXT THK PER SAE AMS-QQ-N-290
- 6 DIMPLE STAMP MARK OPTIONAL

1000	LOOSE PIECE	323160
QTY	PACKAGE TYPE	PART NO

AMP INCORPORATED CUSTOMER SERVICE SYSTEMS		MAX RECOMMENDED OPERATING TEMPERATURE: 343°C [650°F]	THIS DRAWING IS A CONTROLLED DOCUMENT.		DWN L OLMEDA 100CT94	TE Connectivity			
FOR ADDITIONAL PRODUCT INFORMATION OR COPIES OF DRAWINGS AND TECHNICAL DOCUMENTS	PRODUCT INFORMATION CENTER 1-800-522-6752	VOLTAGE RATING: -	DIMENSIONS: mm [INCHES]	TOLERANCES UNLESS OTHERWISE SPECIFIED:	CHK M ELLIS 100CT94				NAME
FOR APPLICATION TOOLING INFORMATION	TOOLING ASSISTANCE CENTER 1-800-722-1111	CIRCULAR MIL AREA: 1.04-2.62mm² [2050-5180] STRANDED WIRE		0 PLC ± - 1 PLC ± - 2 PLC ± - 3 PLC ± 0.127[.005] 4 PLC ± - ANGLES ± -	APVD S BORTNER 100CT94	TERMINAL, RING TONGUE, STRATO-THERM,™ DIAMOND GRIP™ WIRE SIZE: 16-14 AWG			
FOR ORDER ENTRY	1-800-526-5142	THIS DRAWING IS A CONTROLLED DOCUMENT FOR AMP INCORPORATED. IT IS SUBJECT TO CHANGE AND THE CONTROLLING ENGINEERING ORGANIZATION SHOULD BE CONTACTED FOR THE LATEST REVISION.	MATERIAL 4	FINISH 5	PRODUCT SPEC -	SIZE A3	CAGE CODE 00779	DRAWING NO C-323160	RESTRICTED TO -
					APPLICATION SPEC -	SCALE 6:1	SHEET 1 OF 1	REV K	