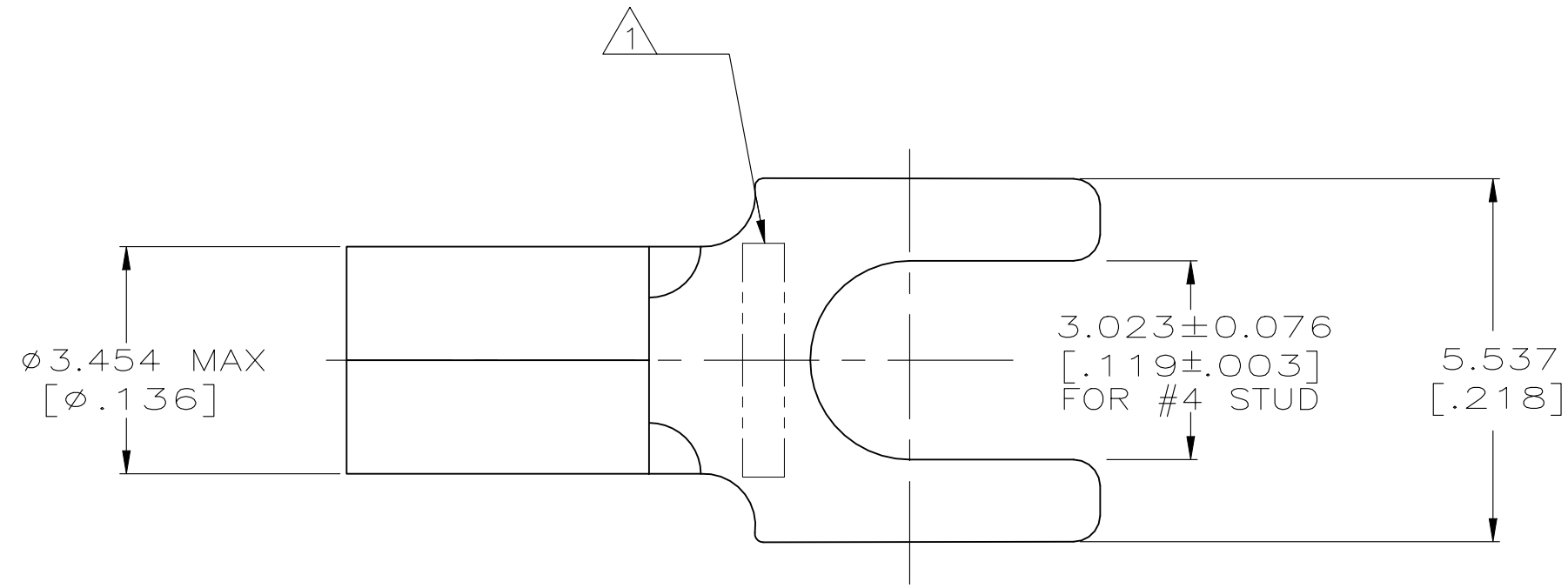
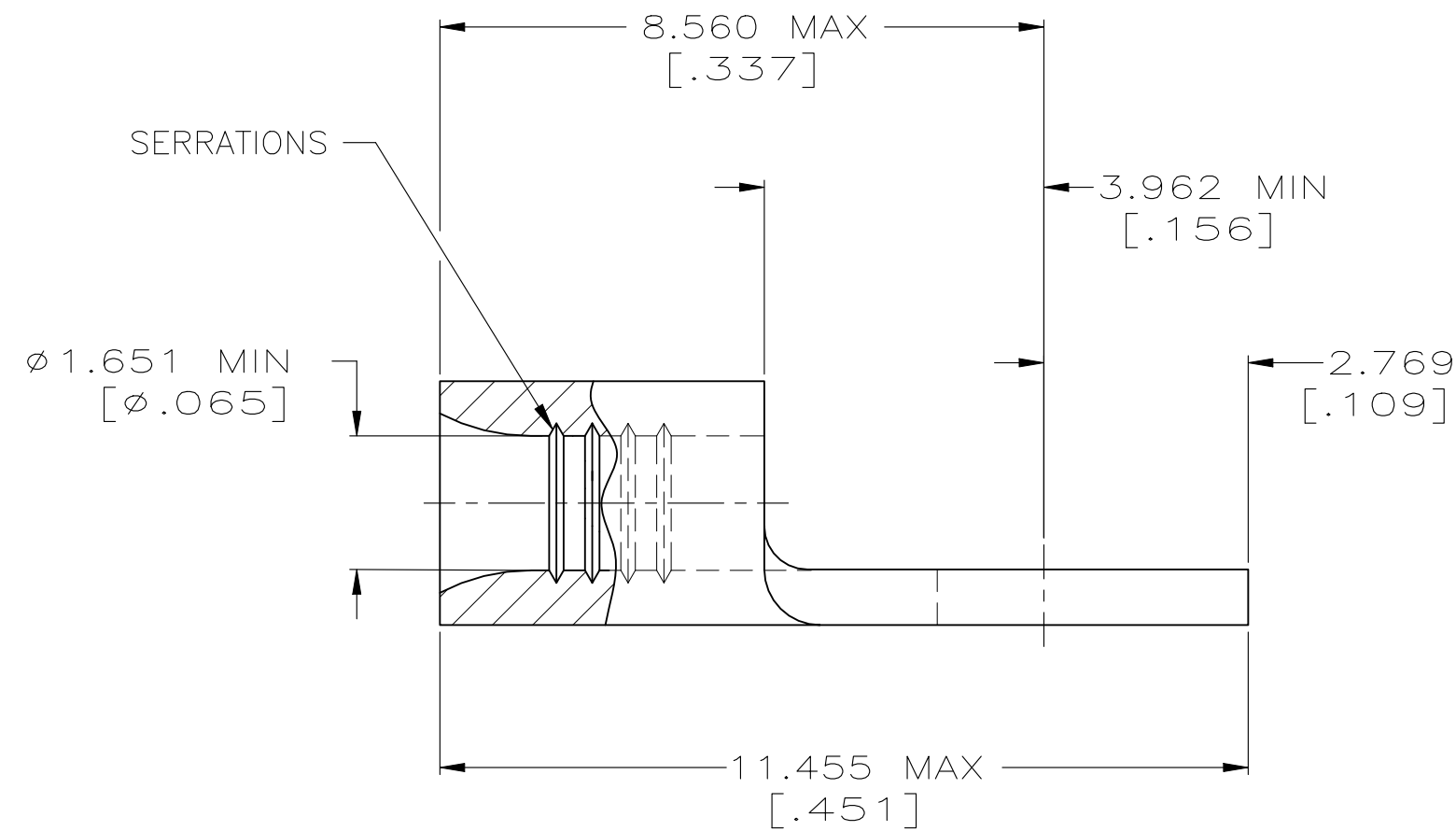


REVISIONS				
P	LTR	DESCRIPTION	DATE	APVD
B		REVISED PER ECR-23-190001	07NOV2023	AP DSC



AMP WIRE RANGE	E13288 Listed
22-16 AWG STRANDED	22-16 AWG STRANDED
LR7189 Certified	MILITARY P/N AND CLASS
NOT CERTIFIED	NOT APPLICABLE

- ① STAMP AMP 22-18* APPROX AS SHOWN
COMMERCIAL WIRE RANGE IS 22-16
 - ② MATERIAL: COPPER PER ASTM B152, ANNEALED
 - ③ FINISH:
TIN PLATE 0.00254[.000100] MIN EXT THK
PER ASTM B545
- 4 BODY MATERIAL THK: 0.787±0.051[.031±.002]



1000	LOOSE PIECE	323834
QTY	PACKAGE TYPE	PART NO
THIS DRAWING IS A CONTROLLED DOCUMENT.		
DIMENSIONS: mm [INCHES]		TOLERANCES UNLESS OTHERWISE SPECIFIED: 0 PLC ± - 1 PLC ± - 2 PLC ± - 3 PLC ± 0.127[.005] 4 PLC ± - ANGLES ± -
MATERIAL ②		FINISH ③
AMP INCORPORATED CUSTOMER SERVICE SYSTEMS		DWN TA BRINKMAN 2-17-93 CHK DA PATTERSON 2-17-93 APVD DE MILLER 2-17-93 PRODUCT SPEC UL 486A-B APPLICATION SPEC - WEIGHT -
FOR ADDITIONAL PRODUCT INFORMATION OR COPIES OF DRAWINGS AND TECHNICAL DOCUMENTS PRODUCT INFORMATION CENTER 1-800-522-6752		NAME TERMINAL, SPADE TONGUE, BUDGET, WIRE SIZE: 22-16 AWG
FOR APPLICATION TOOLING INFORMATION TOOLING ASSISTANCE CENTER 1-800-722-1111		SIZE A2 CAGE CODE 00779 DRAWING NO C=323834 RESTRICTED TO -
FOR ORDER ENTRY 1-800-526-5142		SCALE 10:1 SHEET 1 OF 1 REV B

AMP INCORPORATED CUSTOMER SERVICE SYSTEMS	
FOR ADDITIONAL PRODUCT INFORMATION OR COPIES OF DRAWINGS AND TECHNICAL DOCUMENTS PRODUCT INFORMATION CENTER 1-800-522-6752	MAX RECOMMENDED OPERATING TEMPERATURE: 170°C [338°F]
FOR APPLICATION TOOLING INFORMATION TOOLING ASSISTANCE CENTER 1-800-722-1111	VOLTAGE RATING: NOT APPLICABLE
FOR ORDER ENTRY 1-800-526-5142	WIRE CROSS SECTIONAL AREA RANGE: 0.26-1.65mm ² [509-3,260] CIR MILS STRANDED

THIS DRAWING IS A CONTROLLED DOCUMENT.	
DIMENSIONS: mm [INCHES]	TOLERANCES UNLESS OTHERWISE SPECIFIED: 0 PLC ± - 1 PLC ± - 2 PLC ± - 3 PLC ± 0.127[.005] 4 PLC ± - ANGLES ± -
MATERIAL ②	FINISH ③

THIS DRAWING IS A CONTROLLED DOCUMENT.	
DIMENSIONS: mm [INCHES]	TOLERANCES UNLESS OTHERWISE SPECIFIED: 0 PLC ± - 1 PLC ± - 2 PLC ± - 3 PLC ± 0.127[.005] 4 PLC ± - ANGLES ± -
MATERIAL ②	FINISH ③

THIS DRAWING IS A CONTROLLED DOCUMENT.	
DIMENSIONS: mm [INCHES]	TOLERANCES UNLESS OTHERWISE SPECIFIED: 0 PLC ± - 1 PLC ± - 2 PLC ± - 3 PLC ± 0.127[.005] 4 PLC ± - ANGLES ± -
MATERIAL ②	FINISH ③