

4

3

2

1

THIS DRAWING IS UNPUBLISHED.

RELEASED FOR PUBLICATION

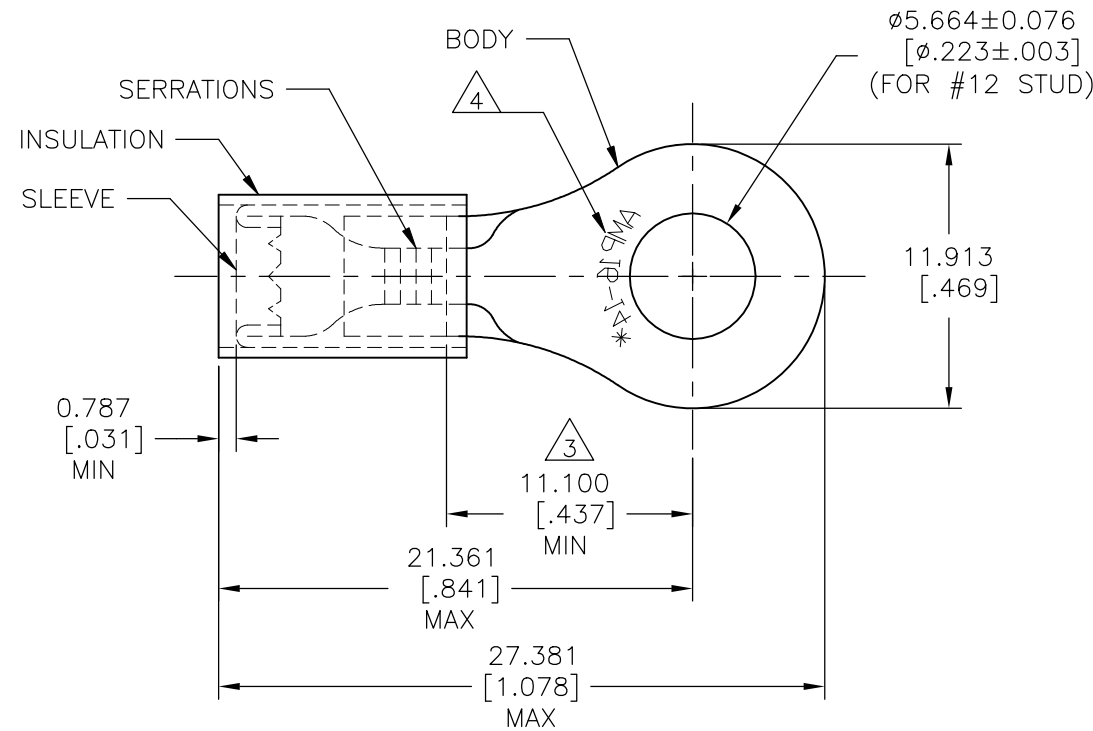
REVISIONS

© COPYRIGHT - TE Connectivity Ltd.

ALL RIGHTS RESERVED.

P	LTR	DESCRIPTION	DATE	DWN	APVD
	D1	REVISED PER ECO-17-008114	13JUN2018	RS	DR

AMP WIRE RANGE	E13288 Listed	LR7189 Certified
16-14 AWG SOLID OR STRANDED	16-14 AWG SOLID OR STRANDED	16-14 AWG SOLID OR STRANDED



- 1 FOR 2.921 TO 4.318 [.115 TO .170] WIRE INSULATION DIA
- 2 BODY MATERIAL THK: 0.787±0.051 [.031±.002]
- 3 APPLIES FROM EDGE OF METAL WIRE BARREL TO CENTER OF STUD HOLE
- 4 STAMP AMP 16-14* APPROX AS SHOWN
- 5 MATERIAL:
BODY & SLEEVE: COPPER PER ASTM B152
INSULATION: NYLON
- 6 FINISH:
BODY & SLEEVE: TIN PL PER ASTM B545
INSULATION: COLOR - BLUE

1000	LOOSE PIECE	324086
QTY	PACKAGE TYPE	PART NO

AMP INCORPORATED
CUSTOMER SERVICE SYSTEMS

THIS DRAWING IS A CONTROLLED DOCUMENT.

DWN RAVI S 13JUN2018

CHK ROHDE DANIEL 13JUN2018

APVD ROHDE DANIEL 13JUN2018

PRODUCT SPEC

UL 486 A-B

APPLICATION SPEC

114-2157

WEIGHT

CUSTOMER DRAWING

STE TE Connectivity Ltd.

NAME
WIRE TERMINAL, P.I.D.G. RING TONGUE
WIRE SIZE: 16-14 AWG

SIZE	CAGE CODE	DRAWING NO	RESTRICTED TO
A3	00779	C-324086	-

FOR ADDITIONAL
PRODUCT INFORMATION OR
COPIES OF DRAWINGS
AND TECHNICAL DOCUMENTS

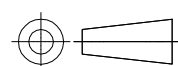
PRODUCT INFORMATION CENTER
1-800-522-6752

MAX RECOMMENDED OPERATING
TEMPERATURE:
105°C [221°F]

VOLTAGE RATING:
300 V MAX

WIRE CROSS SECTIONAL AREA RANGE,
1.04-2.62mm² [2,050-5,180] CIR MILS
SOLID OR STRANDED

DIMENSIONS:
mm [INCHES]



TOLERANCES UNLESS
OTHERWISE SPECIFIED:

0 PLC	± -
1 PLC	± -
2 PLC	± -
3 PLC	± 0.127 [.005]
4 PLC	± -
ANGLES	± 5°

MATERIAL
5

FINISH
6

FOR APPLICATION
TOOLING INFORMATION

TOOLING ASSISTANCE CENTER
1-800-722-1111

FOR ORDER ENTRY

1-800-526-5142

SCALE NTS SHEET 1 OF 1 REV D1