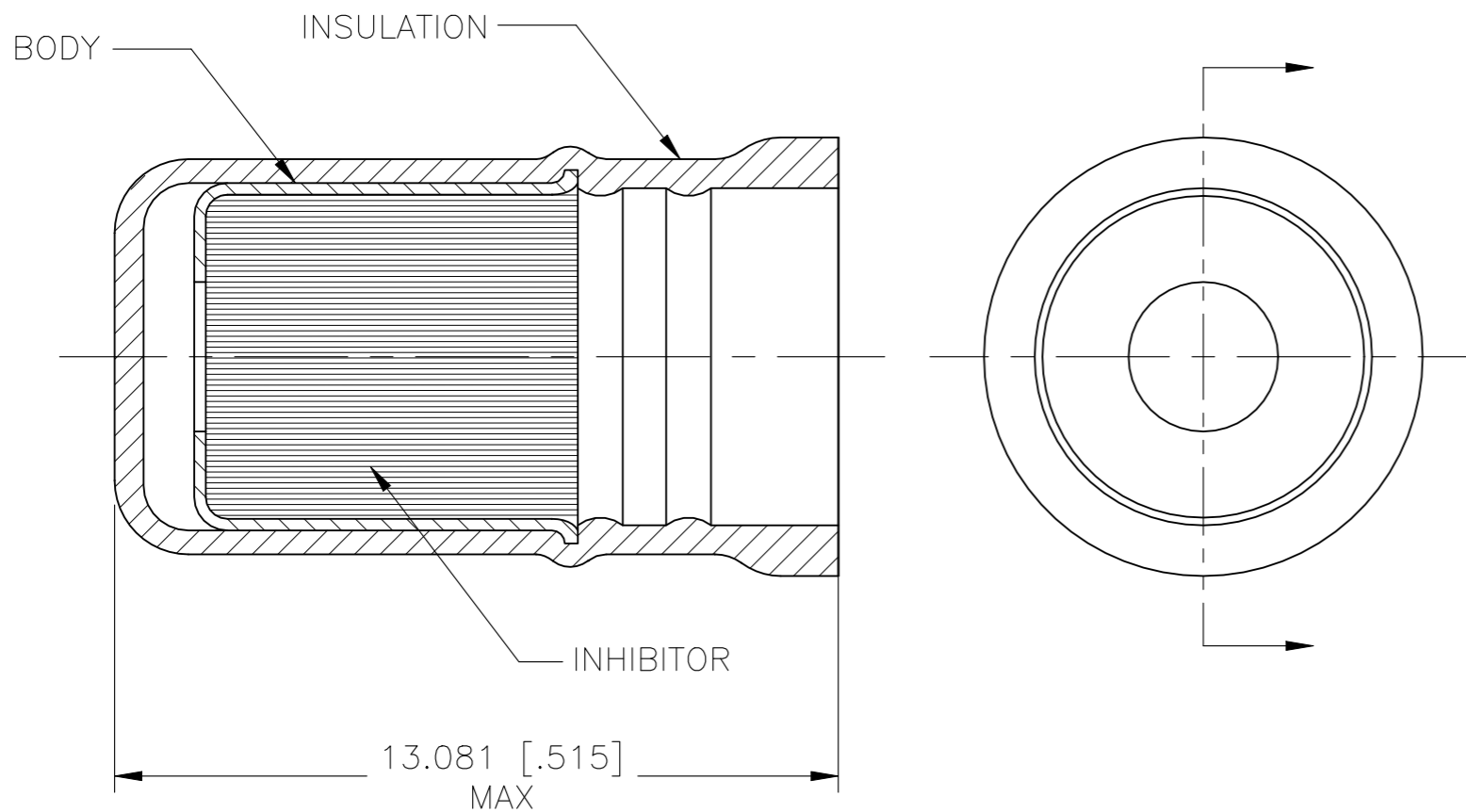

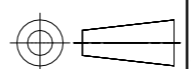


REVISIONS				
P	LTR	DESCRIPTION	DATE	APVD
P		ECR-23-194830	28DEC2023	LP DSC



- 1 USE FOR AN UNSTRIPPED (SINGLE) WIRE END ONLY.
- 2 WIRE INSUL DIA 3.810-5.334 [.150-.210].
- 3 MATERIAL  
BODY - COPPER PER ASTM B152  
INSULATION - NYLON
- 4 FINISH:  
BODY - TIN PLATE 0.00254[.000100] MIN EXT THK PER ASTM B545  
INSULATION COLOR - YELLOW

1000	LOOSE PIECE	324696
QTY	PACKAGE TYPE	PART NO

AMP INCORPORATED CUSTOMER SERVICE SYSTEM		MAX RECOMMENDED OPERATING TEMPERATURE: 105° C [221° F]	THIS DRAWING IS A CONTROLLED DOCUMENT.		DWN L OLMEDA 14FEB95	 TE Connectivity SPARE WIRE CAP, YELLOW, MOISTURE RESISTANT WIRE INS DIA: 3.810-5.334 [.150-.210]				
FOR ADDITIONAL PRODUCT INFORMATION OR COPIES OF DRAWINGS AND TECHNICAL DOCUMENTS	PRODUCT INFORMATION CENTER 1-800-522-6752		VOLTAGE RATING: -	DIMENSIONS: mm [INCHES]	TOLERANCES UNLESS OTHERWISE SPECIFIED:					CHK M ELLIS 14FEB95
FOR APPLICATION TOOLING INFORMATION	TOOLING ASSISTANCE CENTER 1-800-722-1111	CIRCULAR MIL AREA: -		0 PLC ± -	APVD T MICHELUTTI 14FEB95	NAME	SIZE	CAGE CODE	DRAWING NO	RESTRICTED TO
FOR ORDER ENTRY	1-800-526-5142			MATERIAL	1 PLC ± -	PRODUCT SPEC		A3	00779	C-324696
				2 PLC ± -	APPLICATION SPEC		SCALE 8:1		SHEET 1 OF 1	REV P
				3 PLC ± 0.127[.005]	WEIGHT	CUSTOMER DRAWING				
				4 PLC ± -						
				ANGLES ± -						
				FINISH						