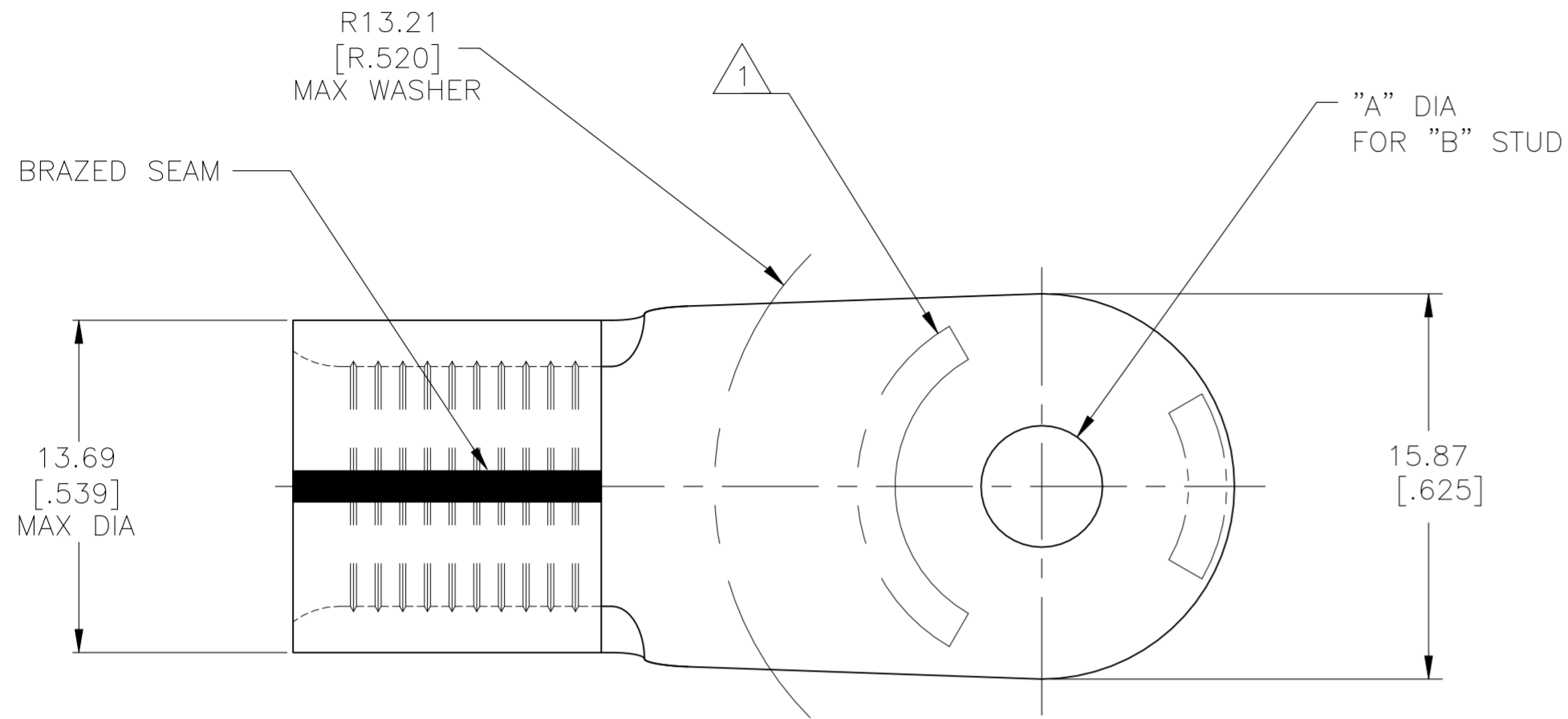
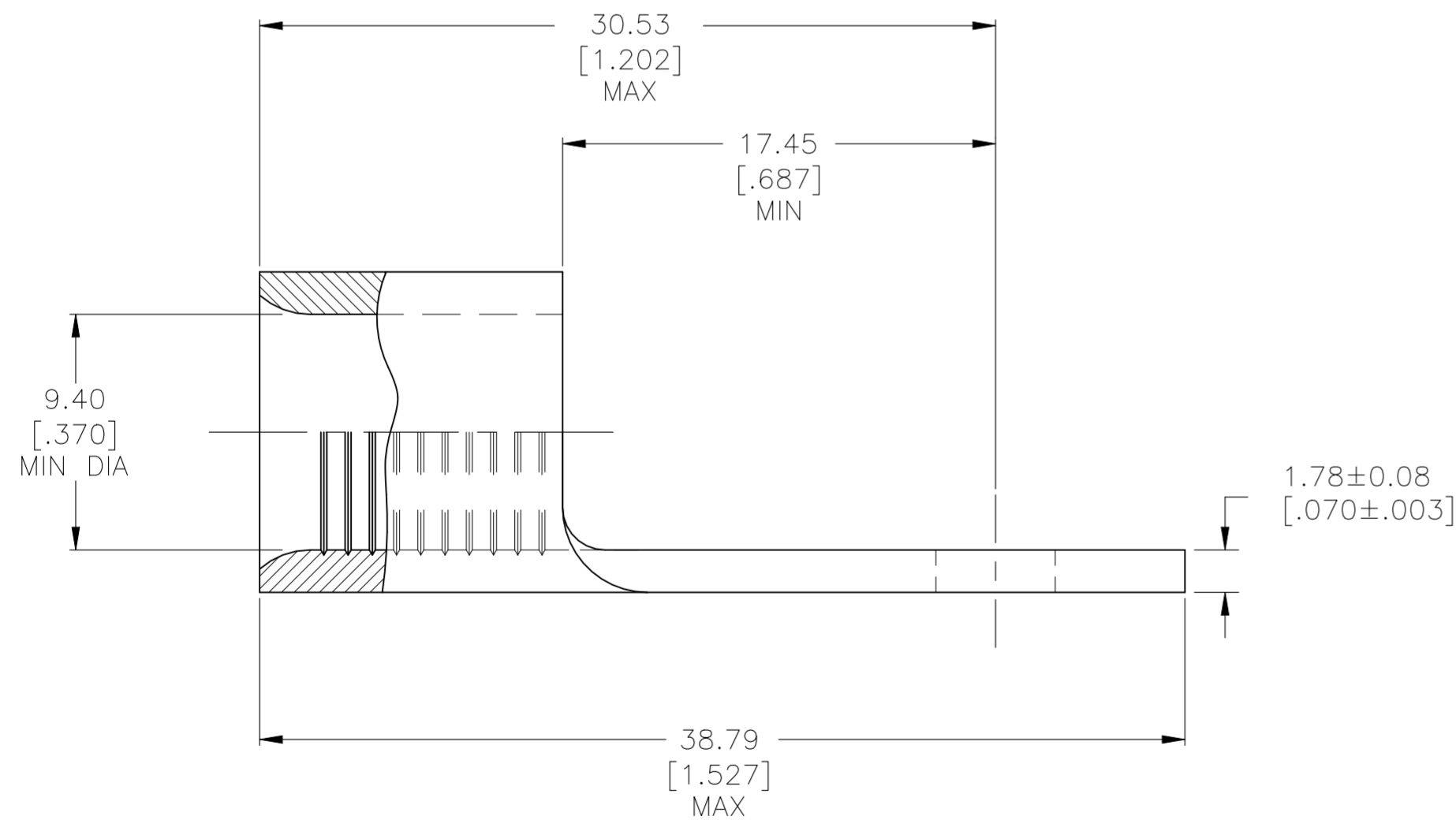


REVISIONS					
P	LTR	DESCRIPTION	DATE	DWN	APVD
	C4	REVISED PER ECN-22-150900	22APR2022	RK	CSD



<b>AMP</b> WIRE RANGE	E13288 Listed
2 AWG SOLID OR STRANDED	2 AWG STRANDED
LR7189 Certified	
2 AWG SOLID OR STRANDED	

- 1 STAMP AMP 2W\* 60-75 APPROX AS SHOWN.
- 2 TIN PLATE 0.00254[.000100] MIN EXT THK PER ASTM B545.
- 3 GOLD PLATE 0.00127[.000050] MIN THK PER MIL-DTL-45204 OVER NICKEL PLATE 0.00076[.000030] MIN THK PER SAE AMS QQ-N-290.
- 4 TIN PLATE 0.00254[.000100]MIN EXT THK (WHISKER MITIGATED, LEAD FREE) PER ASTM B545.



M5	5.20±0.08 [.205±.003]	170°C[338°F] MAX	4	330301-3
#10	5.00±0.08 [.197±.003]	260°C[500°F] MAX	3	330301-2
		170°C[338°F] MAX	2	330301
"B" STUD	"A" DIA	TEMPERATURE RATING	FINISH	PART NO

AMP INCORPORATED  
CUSTOMER SERVICE SYSTEMS

FOR ADDITIONAL PRODUCT INFORMATION OR COPIES OF DRAWINGS AND TECHNICAL DOCUMENTS	PRODUCT INFORMATION CENTER 1-800-522-6752	MAX RECOMMENDED OPERATING TEMPERATURE: SEE TABLE
FOR APPLICATION TOOLING INFORMATION	TOOLING ASSISTANCE CENTER 1-800-722-1111	VOLTAGE RATING: NOT APPLICABLE
FOR ORDER ENTRY	1-800-526-5142	CIRCULAR MIL AREA: 26.7-42.4mm² [52,600-83,700]CIR MILS SOLID OR STRANDED

THIS DRAWING IS A CONTROLLED DOCUMENT.	
DIMENSIONS: mm [INCHES]	TOLERANCES UNLESS OTHERWISE SPECIFIED:
	0 PLC ± -
	1 PLC ± -
	2 PLC ± 0.20[.008]
	3 PLC ± -
	4 PLC ± -
	ANGLES ± ±
MATERIAL COPPER PER ASTM B-152 ANNEALED	FINISH SEE TABLE

DWN DK_SCHRUM 04AUG94	TE Connectivity	
CHK AJ KAUFMAN 08AUG94	NAME TERMINAL, RING TONGUE, SOLISTRAND™	
APVD RE ROSER 08AUG94	SIZE A2	CAGE CODE 00779
PRODUCT SPEC	DRAWING NO C=330301	RESTRICTED TO -
APPLICATION SPEC	WEIGHT -	SCALE 4:1
WEIGHT	SHEET 1 OF 1	REV C4
CUSTOMER DRAWING		