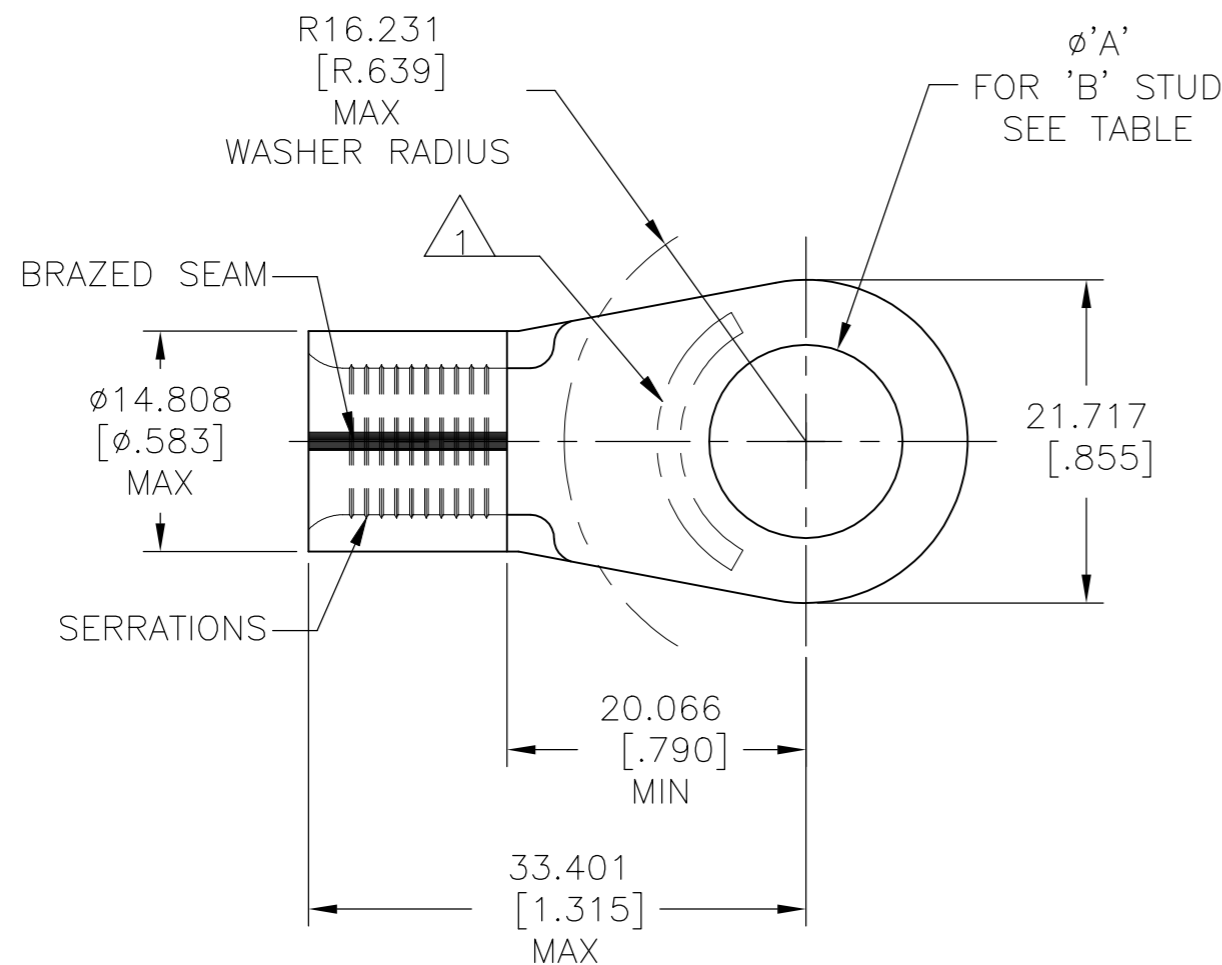


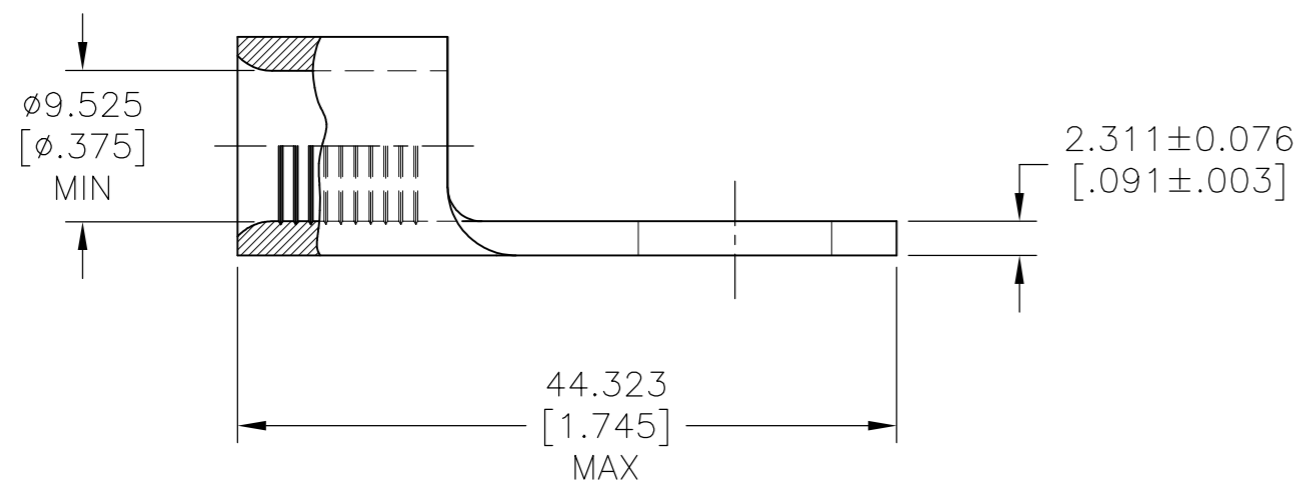
THIS DRAWING IS UNPUBLISHED. RELEASED FOR PUBLICATION
 © COPYRIGHT - TE Connectivity ALL RIGHTS RESERVED.

P	LTR	DESCRIPTION	DATE	DWN	APVD
L		REV PER 0G3A-0444-04	10JUN04	JR	CK
M		REVISED PER ECO-17-004099	23AUG2017	BDA	DR
M1		REVISED PER ECO-18-009924	25JUN2018	RS	DR

AMP WIRE RANGE	Listed FILE E13288	LR7189 Certified
2HD AWG SOLID OR STRANDED	2HD AWG STRANDED	2HD AWG SOLID OR STRANDED



- STAMP AMP 2HDW* APPROX AS SHOWN
- COPPER PER ASTM B-152, ANNEALED
- 0.00254 [0.000100] MIN TIN PER ASTM B-545



OBSELETE	—	—	13.081[.515]	1/2	1-331423-1
	50	LOOSE PIECE	9.906[.390]	3/8	1-331423-0
OBSELETE	—	—	6.731[.265]	1/4	331423-
QTY	PACKAGE TYPE	'A'	'B'	PART NO	

AMP INCORPORATED CUSTOMER SERVICE SYSTEMS		MAX RECOMMENDED OPERATING TEMPERATURE: 170°C[338°F]
FOR ADDITIONAL PRODUCT INFORMATION OR COPIES OF DRAWINGS AND TECHNICAL DOCUMENTS	PRODUCT INFORMATION CENTER 1-800-522-6752	VOLTAGE RATING: N/A
FOR APPLICATION TOOLING INFORMATION	TOOLING ASSISTANCE CENTER 1-800-722-1111	CIRCULAR MIL AREA: 26.7-42.4mm²[52,600-83,700] SOLID OR STRANDED
FOR ORDER ENTRY	1-800-526-5142	THIS DRAWING IS A CONTROLLED DOCUMENT FOR AMP INCORPORATED. IT IS SUBJECT TO CHANGE AND THE CONTROLLING ENGINEERING ORGANIZATION SHOULD BE CONTACTED FOR THE LATEST REVISION.

THIS DRAWING IS A CONTROLLED DOCUMENT.		DWN DK SCHRUM 8/6/93	TE Connectivity Ltd.	
DIMENSIONS: mm [INCHES]		CHK AJ KAUFMAN 8/9/93	NAME	
		APVD JL MECKLEY 8/9/93	PRODUCT SPEC	
TOLERANCES UNLESS OTHERWISE SPECIFIED: 0 PLC ± - 1 PLC ± - 2 PLC ± - 3 PLC ± 0.127[.005] 4 PLC ± - ANGLES ± -		APPLICATION SPEC		
MATERIAL	FINISH	WEIGHT	SIZE A2	CAGE CODE 00779
				DRAWING NO C=331423
CUSTOMER DRAWING		SCALE 2:1	SHEET 1 of 1	REV M1