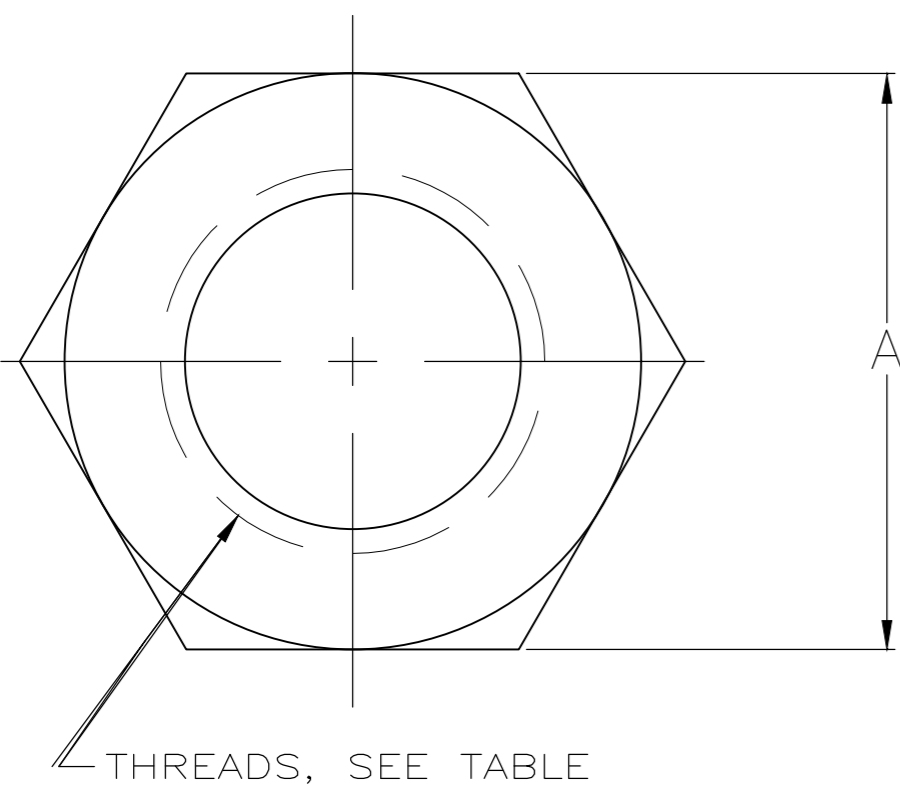
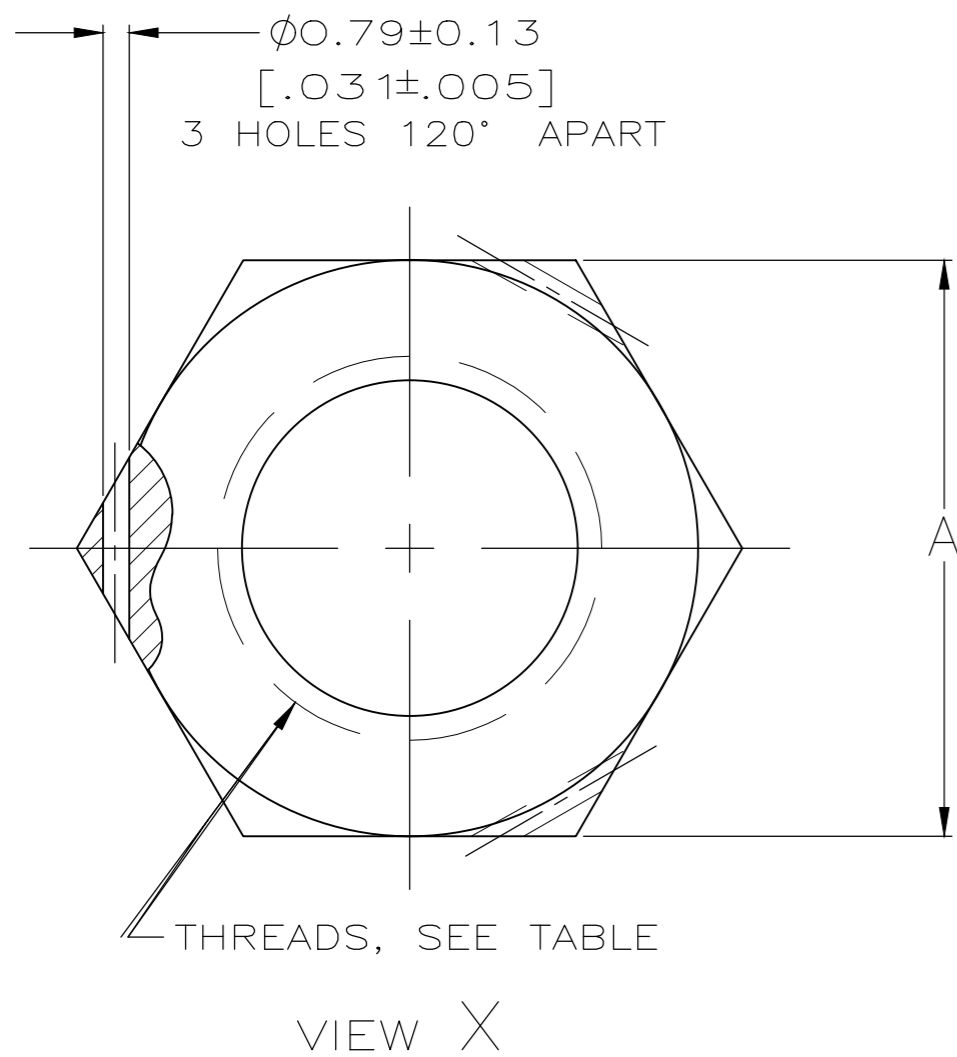
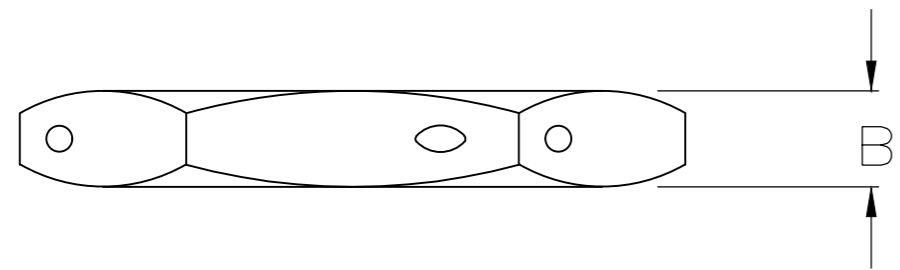


THIS DRAWING IS UNPUBLISHED. RELEASED FOR PUBLICATION
 © COPYRIGHT - By - ALL RIGHTS RESERVED.

REVISIONS					
P	LTR	DESCRIPTION	DATE	DWN	APVD
D1		REVISED PER ECO-16-002001	25MAY2016	LN	RS



- 1 SILVER PLATE PER QQ-S-365, 5.08µm[.000200] MIN THK
- 2 GOLD PLATE PER MIL-G-45204, 1.27µm[.000050] MIN THK
- 3 NICKEL PLATE PER QQ-N-290, 2.54µm[.000100] MIN THK
- 4 PASSIVATE PER QQ-P-35
- 5 5/8-24 UNEF-2B
- 6 7/16-28 UNEF-2B
- 7 1/4-36 UNS-2B

	X	5	3.18 [.125]	19.05±0.38[.750±.015]	1	BRASS PER QQ-B-626	9-332004-1
	Y	5	3.18 [.125]	19.05±0.38[.750±.015]	1	BRASS PER QQ-B-626	9-332004-0
	X	5	3.18 [.125]	19.05±0.38[.750±.015]	3	BRASS PER QQ-B-626	2-332004-3
	Y	7	1.57 [.062]	7.92±0.38[.312±.015]	3	BRASS PER QQ-B-626	2-332004-2
	Y	7	1.57 [.062]	7.92±0.38[.312±.015]	4	SST PER ASTM-A-582	2-332004-0
OBSOLETE	X	5	3.18 [.125]	19.05±0.38[.750±.015]	1	BRASS PER QQ-B-626	1-332004-9
	Y	5	3.18 [.125]	19.05±0.38[.750±.015]	3	BRASS PER QQ-B-626	1-332004-7
	Y	7	1.57 [.062]	7.92±0.38[.312±.015]	2	SST PER ASTM-A-582	1-332004-5
	Y	7	1.57 [.062]	7.92±0.38[.312±.015]	-	SST PER ASTM-A-582	1-332004-4
OBSOLETE	Y	5	3.18 [.125]	19.05±0.38[.750±.015]	1	BRASS PER QQ-B-626	1-332004-0
	VIEW	THREADS	B	A	FINISH	MATERIAL	PART NUMBER

THIS DRAWING IS A CONTROLLED DOCUMENT.		DWN M. SNEED 5-18-93	STE TE Connectivity	
DIMENSIONS: mm [INCHES]		CHK J. DUNBAR 5-18-93		
TOLERANCES UNLESS OTHERWISE SPECIFIED:		APVD M. SNEED 5-18-93	NAME JAM NUT	
0 PLC ± -		PRODUCT SPEC	SIZE A2	
1 PLC ± -		APPLICATION SPEC	CAGE CODE 00779	
2 PLC ± 0.20[.008]			DRAWING NO C=332004	
3 PLC ± -			RESTRICTED TO	
4 PLC ± -			SCALE 4:1	
ANGLES ± -			SHEET 1 OF 1	
MATERIAL SEE TABLE	FINISH SEE TABLE	WEIGHT 0.000000	REV D1	
CUSTOMER DRAWING				