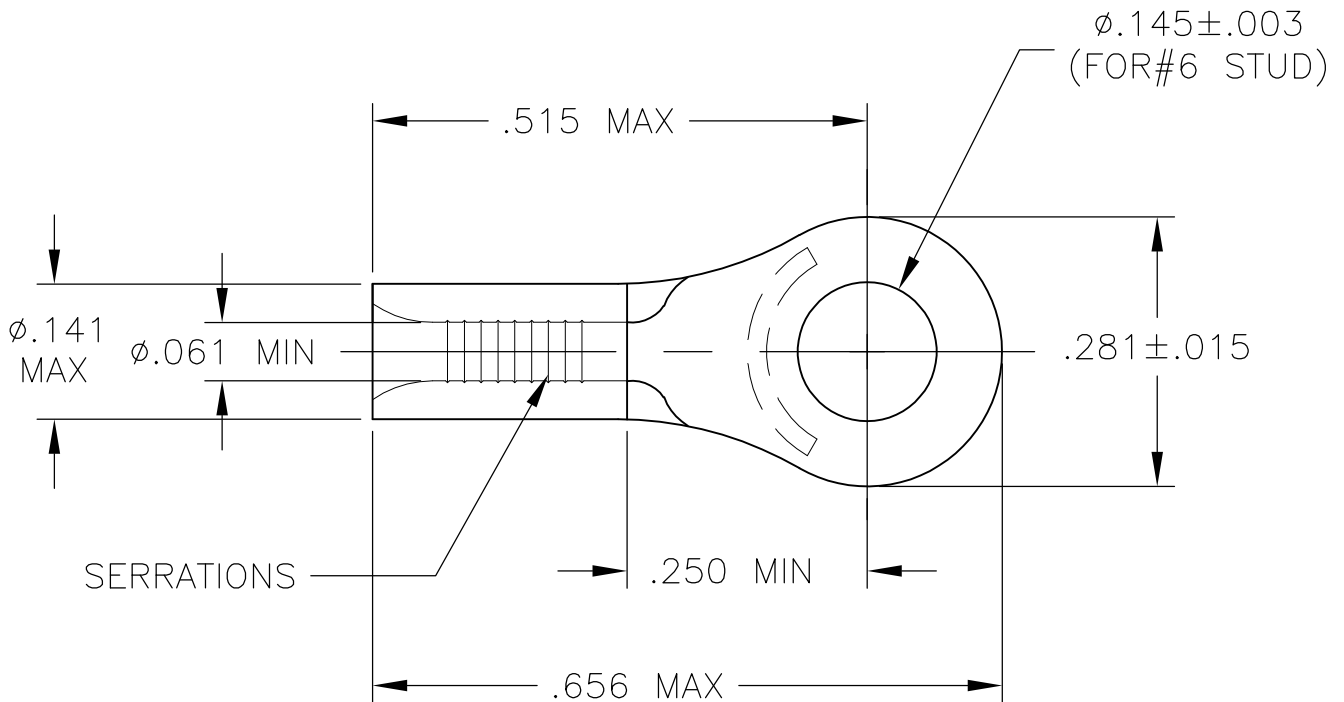


LOC G	DIST 14	REVISIONS			
P	LTR	DESCRIPTION	DATE	DWN	APVD
	E	REVISED PER ECR-08-030104	03DEC08	HMR	JR

- △ 1 SUPERSEDED BY P/N 34107
- △ 2 SUPERSEDED BY P/N 2-34107-2
- △ 3 COPPER .031±.002 THK (ASTM-B152)
- △ 4 TIN PLATE (ASTM-B545) ANNEALED



MARKING 22-18 FOR MILITARY
COMMERCIAL RANGE 22-16

OBSOLETE	
2-33213-1 △ 2	33213 △ 1
PART NO. ON TAPE	PART NO.

THIS DRAWING IS UNPUBLISHED. ALL INTERNATIONAL RIGHTS RESERVED. BY TYCO ELECTRONICS CORPORATION. COPYRIGHT -

DIMENSIONS: INCHES	DWN RAGHAVENDRA 03DEC2008	MATERIAL △ 3	FINISH △ 4
	CHK JEFF RUTH 03DEC2008	Tyco Electronics Corporation Harrisburg, PA 17105-3608	
TOLERANCES UNLESS OTHERWISE SPECIFIED:	APVD Michielutti Thomas 03DEC2008	NAME WIRE TERMINAL	
	PRODUCT SPEC -	SOLISTRAND-RING TONGUE WIRE SIZE : 22-16	
0 PLC ± -	APPLICATION SPEC -	SIZE A4	RESTRICTED TO -
1 PLC ± -	WEIGHT -	CAGE CODE 00779	DRAWING NO C-33213
2 PLC ± -		SCALE 5:1	
3 PLC ± .008	SHEET 1 OF 1		REV E
4 PLC ± -	CUSTOMER DRAWING		
ANGLES ± 5'			

