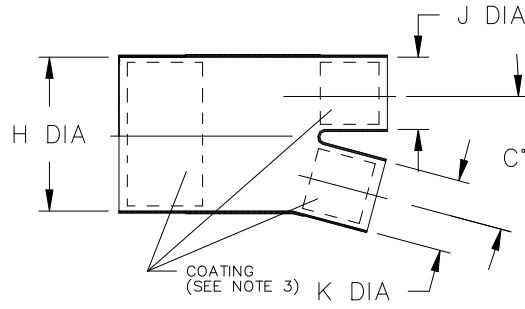
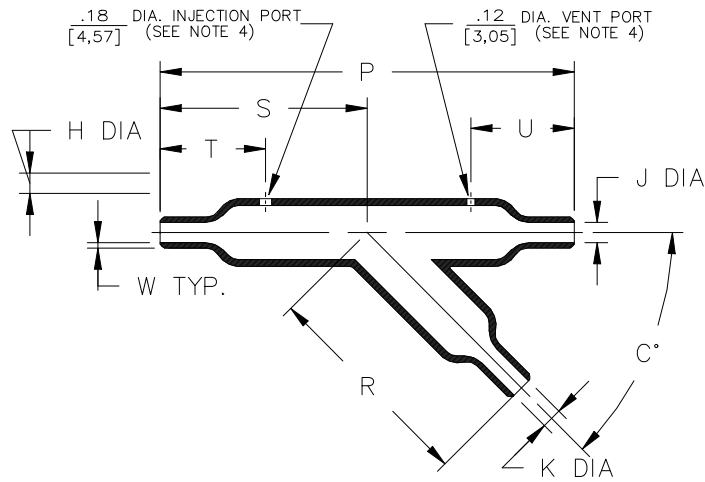


REVISIONS				
P	LTR	DESCRIPTION	DATE	APVD
	G1	REVISED PER ECN-24-262187	22APR2024	MM LR



AS SUPPLIED



AFTER UNRESTRICTED RECOVERY

PART NUMBER	H		J & K		P	R	S	T	U	W	C°		WEIGHT REF
	MIN	MAX	MIN	MAX	±10%	±10%	±10%	±10%	±10%	±20%	±10°	±5°	
	a	b	a	b	b	b	b	b	b	b	a	b	
341A015	1.12 [28,4]	.53 [13,5]	1.06 [26,9]	.53 [13,5]	5.91 [150,1]	3.16 [80,3]	2.76 [70,1]	1.53 [38,9]	1.50 [38,1]	.10 [2,5]	15°	45°	.270 [122,5]

TE Connectivity. All Rights Reserved. © 2024



DIMENSIONS: INCHES	DWN	M MAZARIEGOS	22APR2024	MATERIAL	-	FINISH	-	
	CHK	C LIMA	22APR2024	TE Connectivity				
TOLERANCES UNLESS OTHERWISE SPECIFIED:	APVD	L RODRIGUEZ	22APR2024					
0 PLC ± -	PRODUCT SPEC	NAME						
1 PLC ± -	-	Transition, 45 Degrees Side Breakout						
2 PLC ± -	APPLICATION SPEC	-						
3 PLC ± -	-	SIZE	CAGE CODE	DRAWING NO	RESTRICTED TO			
4 PLC ± -	-	A4	06090	C-341A015	-			
ANGLES ± -	WEIGHT	0						
		CUSTOMER DRAWING			SCALE	DNS	SHEET 1 OF 2	REV G1

REVISIONS					
P	LTR	DESCRIPTION	DATE	DWN	APVD
-	-	SEE SHEET 1	-	-	-

COMPATIBILITY CHART				
MATERIAL DASH NO.	MATERIAL DESCRIPTION	RT SPEC	COATING SLASH NO.	COATING S NO.
-3	Polyolefin, Semi-rigid	RT-301	/42;/86;/180	S1017;S1048;S1030
-4	Polyolefin, Flexible	RT-1304	/42;/86;/180	S1017;S1048;S1030
-12	Fluoroelastomer, Flexible	RT-1312	N/A	N/A
-25	Elastomer, Fluid Resistant	RW-2070	/42;/86;/225	S1017;S1048;S1206
-100	Polyolefin, semi-flexible Zerohal	RW-2082	/86;/180	S1048; S1030


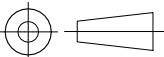
ORDERING INFORMATION

BASE PART NUMBER 341A015 -XX -XX /XXX
 MATERIAL DASH NUMBER _____
 -3 POLYOLEFIN, SEMI RIGID (RT-301)
 -4 POLYOLEFIN, FLEXIBLE (RT-1304)
 -5 ELASTOMER, FLEXIBLE (RT-501)
 -6 SILICONE (RT-602)
 -12 FLUORO ELASTOMER, FLEXIBLE (RT-1312)
 -25 ELASTOMER, FLUID RESISTANT (RT-1325)
 -100 POLYOLEFIN, SEMI-FLEXIBLE ZEROHAL (RT-1323)
 MODIFICATION NUMBER _____
 ADHESIVE SLASH NUMBER _____
 (SEE COMPATIBILITY CHART BELOW)

NOTES

- ALL DIMENSIONS ARE IN $\frac{\text{INCHES}}{[\text{MILLIMETERS}]}$
- DIMENSIONS APPEARING IN TABLE ARE AS FOLLOWS:
 - a - AS SUPPLIED
 - b - AFTER UNRESTRICTED RECOVERY
- COATING (ADHESIVE): IS OPTIONAL AS SUPPLIED DIMENSIONS APPEARING IN TABLE ARE FOR UNCOATED PARTS. WHEN COATING IS ADDED, ENTRY DIAMETER WILL BE REDUCED BY .06 MAX.
- MOLDING PORTS ARE OPTIONAL. WHEN -00 MODIFICATION NUMBER IS SPECIFIED MOLDING PORTS WILL BE LOCATED AS SHOWN.
- WEIGHT SHOWN IN TABLE OF DIMENSIONS IS BASED ON POLYOLEFIN PART.

TE Connectivity. All Rights Reserved. © 2024

DIMENSIONS: INCHES	DWN	22APR2024	MATERIAL	-	FINISH	-
	CHK	-	 TE Connectivity			
TOLERANCES UNLESS OTHERWISE SPECIFIED:	APVD	-				
0 PLC ± -	PRODUCT SPEC	-	NAME	-		
1 PLC ± -	APPLICATION SPEC	-	SIZE	CAGE CODE	DRAWING NO	RESTRICTED TO
2 PLC ± -			A4	00779	C-341A015	-
3 PLC ± -						
4 PLC ± -						
ANGLES ± -	WEIGHT	0.000000				
	CUSTOMER DRAWING		SCALE	DNS	SHEET	2 OF 2
						REV G1