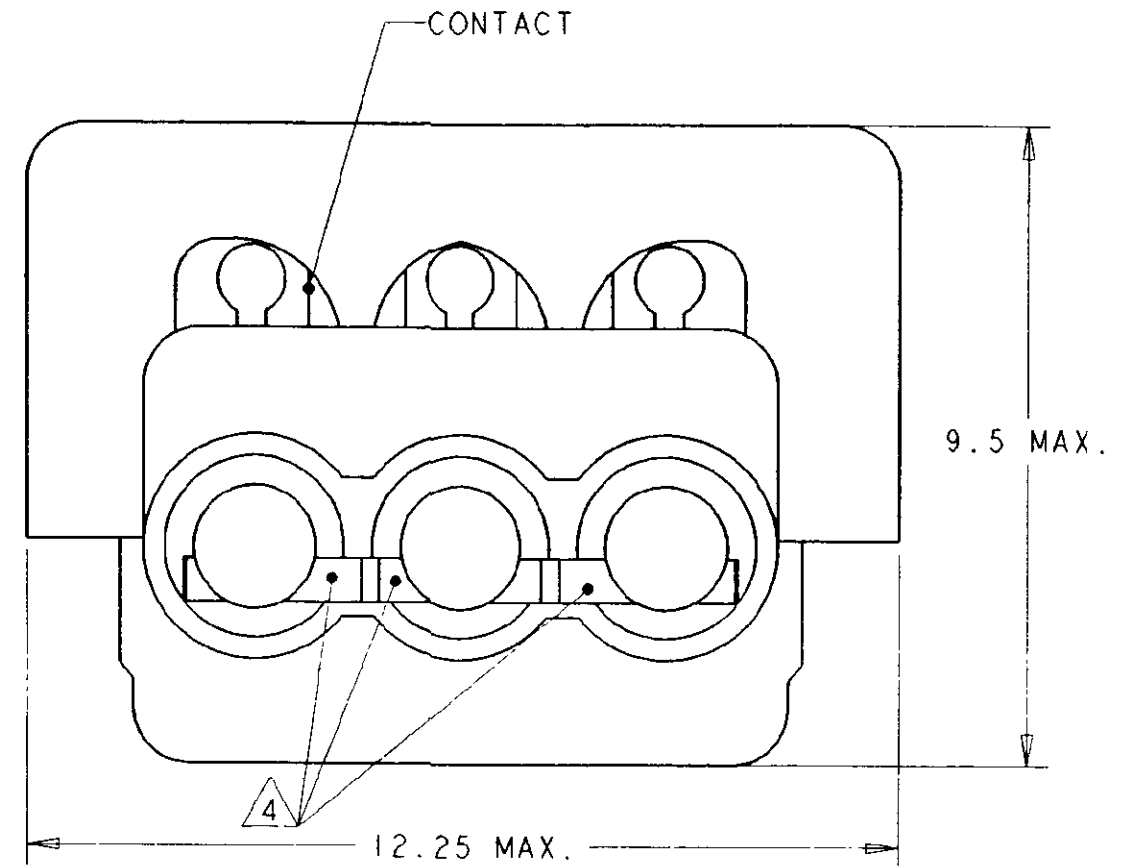
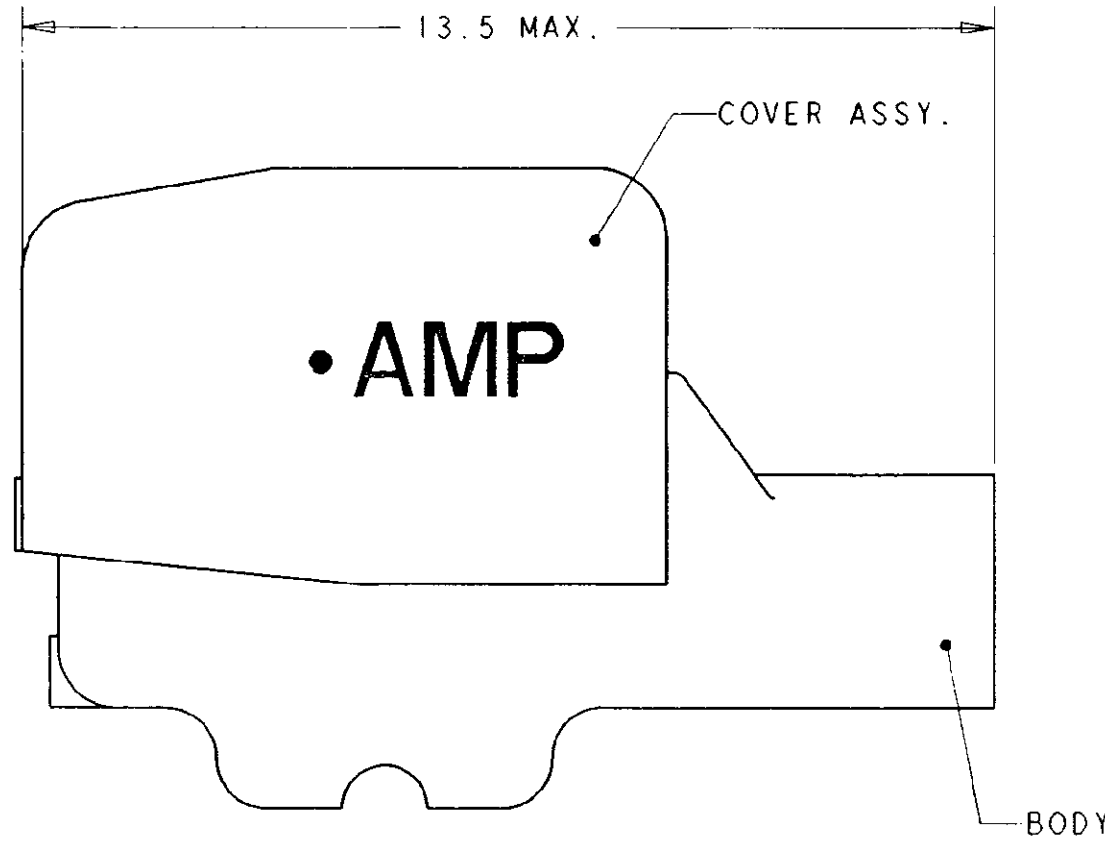


P	LTR	DESCRIPTION	DATE	DWN	APVD
D		EB00-0466-95	9-11-95	DRT	-
E		EB00-0053-96	1-2-96	DRT	



1. TO SPLICE ANY THREE WIRES 0.5 DIA. ALUM. ALLOY. NOMINAL SOLID CONDUCTOR, OR 0.4 TO 0.9 DIA. COPPER NOMINAL SOLID CONDUCTORS.

2. FINISH CRIMPED HEIGHT 6.3 MAX.

3 THIS PART TO CONFORM TO AMP PRODUCT SPECIFICATION 108-3050 AND BT LN363 CONNECTOR WIRE INSULATED No 88, EXCEPT 342816-3.

4 SLOTS FOR TEST PROBE ACCESS. TO SUIT BT CT41A TEST PROBES.

5 342816-3 IS THE SAME AS 342816-2, EXCEPT WITHOUT SEALANT.

DESCRIPTION	No OFF	PART NUMBER
PACKED AS 342816-2 BUT WITH ITALIAN LABELS	250	1-342816-3
PACKED AS 342816-2 BUT WITH SPANISH LABELS	250	1-342816-2
SEE SHT 2 SPECIAL LABELLING . RESTRICTED ISSUE FOR BT	250	1-342816-1
REELED VERSION OF TEL-SPLICE 2 3 WAY	3500	342816-4
107-3013. SEE NOTE 5	1	342816-3
107-3013	1	342816-2
SEE SHT 2 SPECIAL LABELLING . RESTRICTED ISSUE FOR BT	1	342816-1
PACKAGING SPECIFICATION	No OFF	PART NUMBER

THIS DRAWING IS A CONTROLLED DOCUMENT FOR AMP INCORPORATED. IT IS SUBJECT TO CHANGE AND THE CONTROLLING ENGINEERING ORGANIZATION SHOULD BE CONTACTED FOR THE LATEST REVISION.		DWN D.R. TERRY 31-Jan-96	AMP AMP of Great Britain Ltd, Slanmore, Middlesex, HA7 4RS.
DIMENSIONS IN m.m	TOLERANCES UNLESS OTHERWISE SPECIFIED	CHK J. HUTCHINSON 31-1-96	
THIRD ANGLE PROJECTION	LINEAR: - ±0.5 ANGULAR: - ±1°	APVD J. HUTCHINSON 31-1-96	NAME ASSY. TEL-SPLICE 2 3 WAY
MATERIAL SEE LIST	FINISH SEE LIST	PRODUCT SPEC 3	SIZE A3
		APPLICATION SPEC -	CAGE CODE 00779
		WEIGHT -	DRAWING NO C-342816
		CUSTOMER DRAWING	SCALE 10:1 SHEET 1 of 2 REV E

4

3

2

1

RELEASED FOR PUBLICATION 27-May-95

© COPYRIGHT 1996

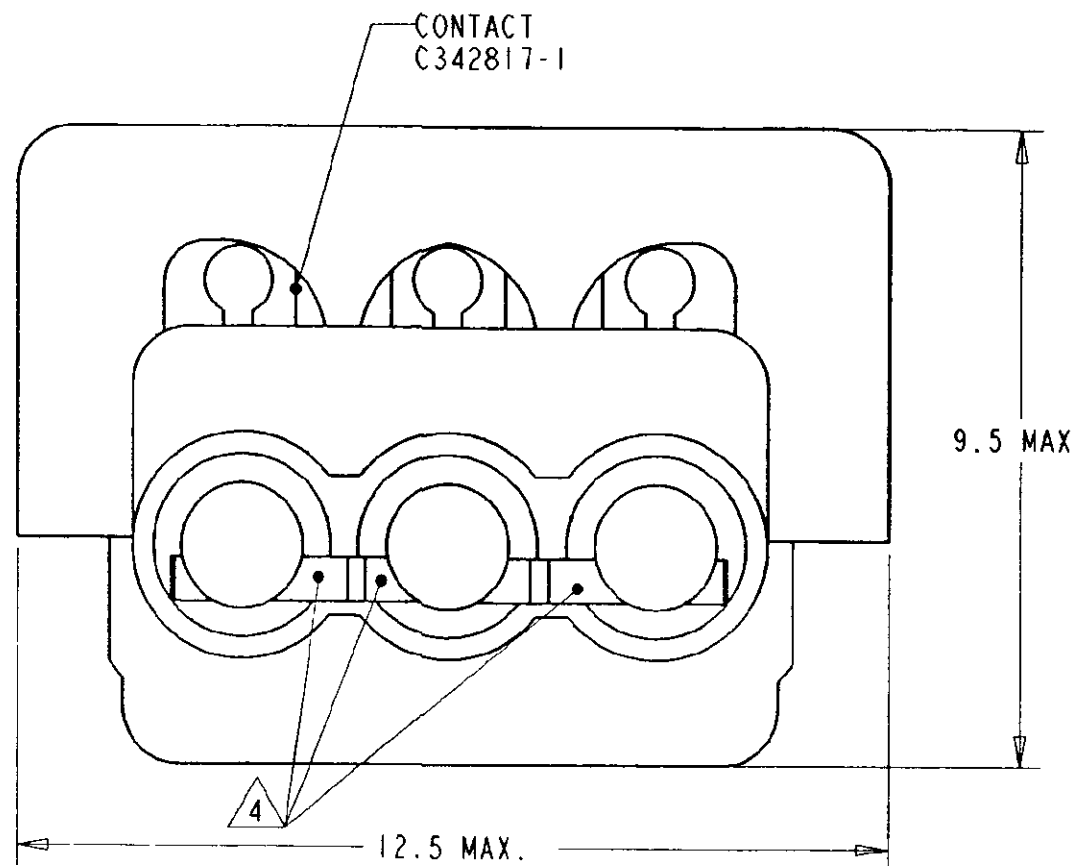
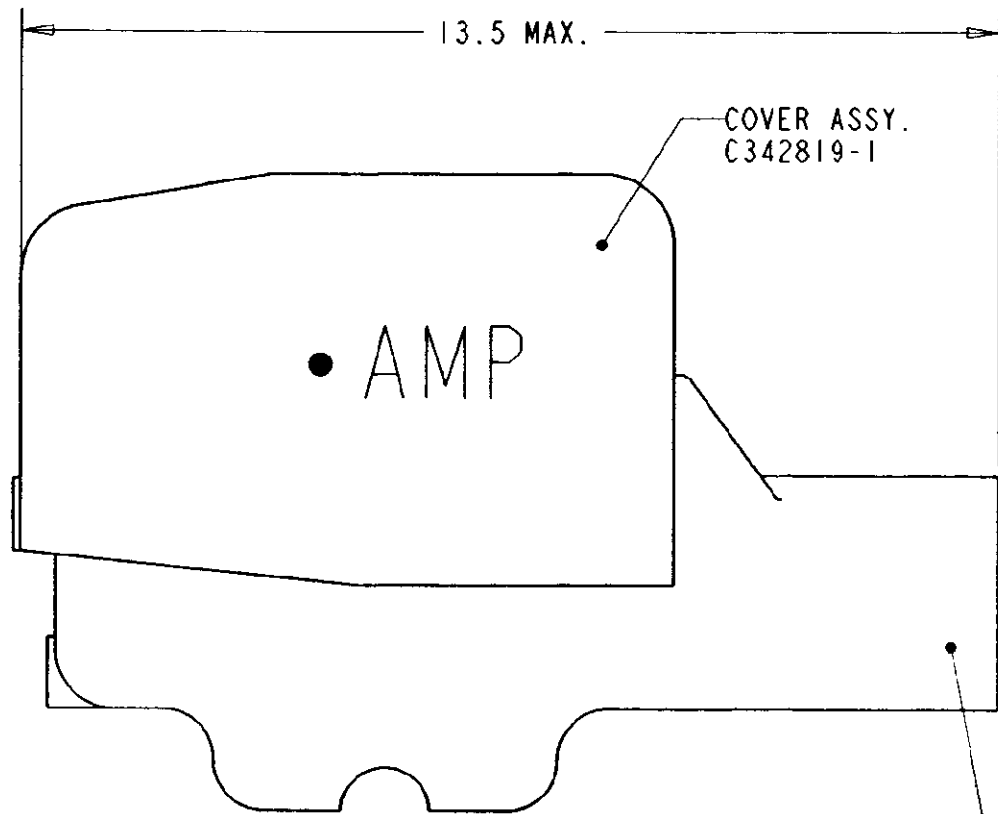
BY AMP INCORPORATED. ALL RIGHTS RESERVED.

LOC

E

REVISIONS

P	LTR	DESCRIPTION	DATE	DWN	APVD
-	-	SEE SHEET 1	-	-	-
-	-	-	-	-	-



1. TO SPLICE ANY THREE WIRES 0.5 DIA. ALUM. ALLOY. NOMINAL SOLID CONDUCTOR, OR 0.4 TO 0.9 DIA. COPPER NOMINAL SOLID CONDUCTORS.

2. FINISH CRIMPED HEIGHT 6.3 MAX.

3 THIS PART TO CONFORM TO AMP PRODUCT SPECIFICATION 108-3050 AND BT LN363 CONNECTOR WIRE INSULATED No 88

4 SLOTS FOR TEST PROBE ACCESS. TO SUIT BT CT41A TEST PROBES.

107-3013	250	1-342816-1
107-3013	1	342816-1
PACKAGING SPECIFICATION		PART NUMBER
No OFF		

RESTRICTED
FOR BRITISH TELECOM ONLY

THIS DRAWING IS A CONTROLLED DOCUMENT FOR AMP INCORPORATED. IT IS SUBJECT TO CHANGE AND THE CONTROLLING ENGINEERING ORGANIZATION SHOULD BE CONTACTED FOR THE LATEST REVISION.		DWN D. R. TERRY 31-Jan-96	AMP of Great Britain Ltd, Stanmore, Middlesex, HA7 4RS.	
DIMENSIONS IN m.m	TOLERANCES UNLESS OTHERWISE SPECIFIED:	CHK J. HUTCHINSON 31-1-96	NAME	
THIRD ANGLE PROJECTION	LINEAR: - ±0.5 ANGULAR: - ±1°	APVD J. HUTCHINSON 31-1-96	ASSY. TEL-SPLICE 2 3 WAY	
MATERIAL SEE LIST	FINISH SEE LIST	PRODUCT SPEC 3	SIZE A3	CAGE CODE 00779
		APPLICATION SPEC	DRAWING NO C-342816	SCALE 10:1
		MATERIAL	WEIGHT	SHEET 2 OF 2
		CUSTOMER DRAWING		REV E