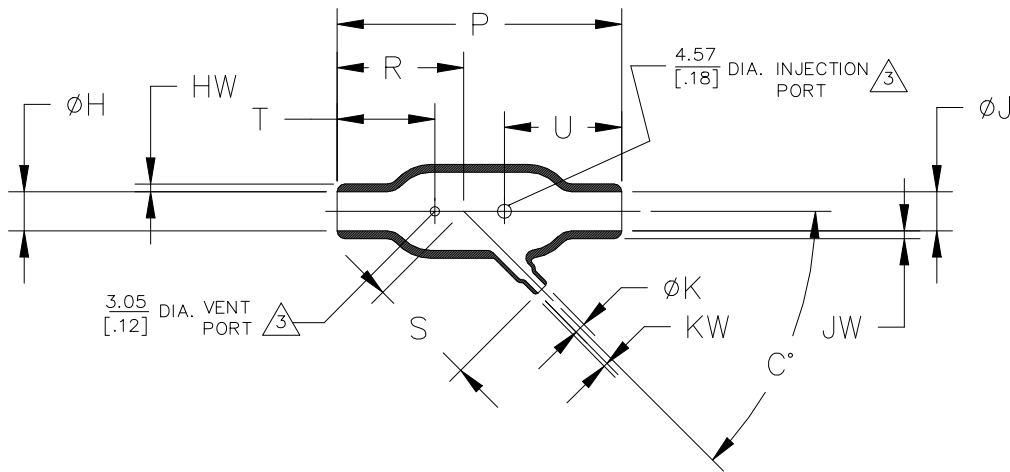
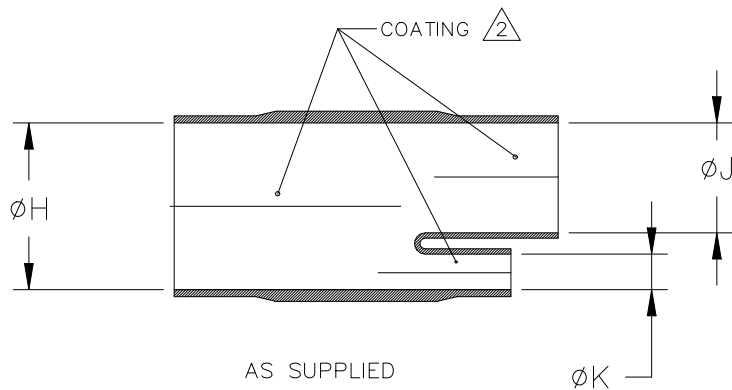


REVISIONS				
P	LTR	DESCRIPTION	DATE	APVD
	A	AS PER ECN-22-154256	17MAY2022	MP MT




AFTER UNRESTRICTED RECOVERY

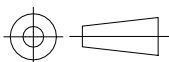
PART DESCRIPTION	H & J		K		P	R	S	T	U	HW & JW	KW	C°	WEIGHT REF
	MIN	MAX	MIN	MAX	±10%	±10%	±10%	±10%	±10%	±20%	±20%	±5°	lb/[gms]
	a	b	a	b	b	b	b	b	b	b	b	b	b
342A012-X-G05	17.0 [.66]	6.9 [.27]	7.0 [.27]	3.6 [.14]	49.3 [1.94]	22.9 [.90]	23.4 [.92]	19.6 [.77]	19.6 [.77]	1.52 [.06]	1.02 [.04]	45°	2.72 [.006]

TE Connectivity. All Rights Reserved.

© 2022

©

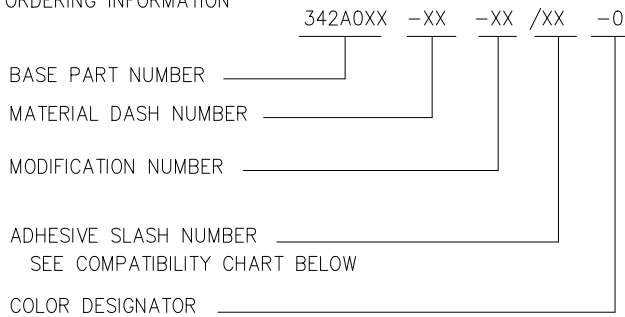
DIMENSIONS: mm [INCHES]	DWN A.LILLEY	APR1988	MATERIAL SEE TABLE	FINISH -
	CHK J.CHOW	17MAY2022	 TE Connectivity	
TOLERANCES UNLESS OTHERWISE SPECIFIED:	APVD M.TAYLOR	17MAY2022		
	0 PLC ± -	PRODUCT SPEC -	SIZE A4	CAGE CODE 00779
1 PLC ± 0.5[0.01]	APPLICATION SPEC -	WEIGHT 0	RESTRICTED TO -	
2 PLC ± 0.25[0.001]			SCALE DNS	SHEET 1 OF 2
3 PLC ± 0.13[0.005]			REV A	
4 PLC ± -			CUSTOMER DRAWING	
ANGLES ± 1°				



REVISIONS				
P	LTR	DESCRIPTION	DATE	APVD
	-	SEE SHEET 1	-	-

COMPATIBILITY CHART				
MATERIAL DASH NO.	MATERIAL DESCRIPTION	RT SPEC	COATING SLASH NO.	COATING S NO.
-3	Polyolefin, Semi-rigid	RT-301	/42;/86;/180	S1017;S1048;S1030
-4	Polyolefin, Flexible	RT-1304	/42;/86;/180	S1017;S1048;S1030
-25	Elastomer, Fluid Resistant	RW-2070	/42;/86;/225	S1017;S1048;S1206
-100	Polyolefin, Semi-flexible Zerohal	RW-2082	/86;/180	S1048;S1030

ORDERING INFORMATION



NOTES:

- DIMENSIONS APPEARING IN TABLE ARE AS FOLLOWS:
 - a - AS SUPPLIED
 - b - AFTER UNRESTRICTED RECOVERY
- COATING (ADHESIVE) IS OPTIONAL. AS SUPPLIED DIMENSIONS APPEARING IN TABLE ARE FOR UNCOATED PARTS. WHEN COATING IS ADDED, ENTRY DIAMETER WILL BE REDUCED BY 1.5mm[.06]MAX. COATING DIMENSIONS CH & CJ WILL BE 12.7[.50] MIN AND CK WILL BE 3.0[.12]MIN.
- MOLDING PORTS ARE OPTIONAL. WHEN -00 MODIFICATION NUMBER IS SPECIFIED, MOLDING PORTS WILL BE LOCATED AS SHOWN.

TE Connectivity. All Rights Reserved. © 2022



DIMENSIONS: mm [INCHES]	DWN A.LILLEY	APR1988	MATERIAL SEE TABLE	FINISH -
	CHK J.CHOW	17MAY2022		
TOLERANCES UNLESS OTHERWISE SPECIFIED:	APVD M.TAYLOR	17MAY2022		
0 PLC ± - 1 PLC ± 0.5[0.01] 2 PLC ± 0.25[0.001] 3 PLC ± 0.13[0.005] 4 PLC ± - ANGLES ± 1°	PRODUCT SPEC -	NAME TRANSITION 45DEG		
	APPLICATION SPEC -	SIZE A4	CAGE CODE 00779	DRAWING NO G-342A012-X-G05
	WEIGHT 0	CUSTOMER DRAWING		
	SCALE DNS		SHEET 2 OF 2	REV A