

USED ON

DWG NO

- ~~3-345945-1~~
- ~~3-345945-2~~
- ~~3-345945-4~~
- ~~3-345945-6~~
- ~~3-345945-7~~
- ~~3-345945-8~~
- ~~3-345945-9~~
- 1-345945-0
- 1-345945-1
- 1-345945-2
- 1-345945-3
- 1-345945-4
- 1-345945-5
- 1-345945-6
- 1-345945-7
- 1-345945-8
- 1-345945-9
- 2-345945-0
- 2-345945-1
- 2-345945-2
- 2-345945-3
- 2-345945-4
- 2-345945-5
- 2-345945-6
- 2-345945-7
- 2-345945-8
- 2-345945-9
- 3-345945-0
- 3-345945-1
- 3-345945-2
- 3-345945-3
- 3-345945-4
- 3-345945-5
- 3-345945-6
- 3-345945-7
- 3-345945-8
- 3-345945-9
- 4-345945-0

OBSOLETE

OBSOLETE


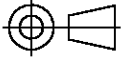
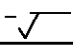
- ~~4-345945-1~~
- ~~4-345945-2~~
- ~~4-345945-3~~
- ~~4-345945-4~~
- ~~4-345945-5~~
- ~~4-345945-6~~
- ~~4-345945-7~~
- ~~4-345945-8~~
- ~~4-345945-9~~
- 5-345945-0

OBSOLETE

THIS INFORMATION IS CONFIDENTIAL AND PROPRIETARY TO TYCO ELECTRONICS CORPORATION AND ITS WORLDWIDE SUBSIDIARIES AND AFFILIATES. IT MAY NOT BE DISCLOSED TO ANYONE, OTHER THAN TYCO ELECTRONICS PERSONNEL, WITHOUT WRITTEN AUTHORIZATION FROM TYCO ELECTRONICS CORPORATION, HARRISBURG, PENNSYLVANIA USA.

LOC  
—

DIST  
—

				DWN	2BJAN04	CHK	—	APVD	—								
				DIMENSIONS:			MATERIAL	—	HT TR	—							
				INCHES													
				TOLERANCES UNLESS OTHERWISE SPECIFIED:			 Tyco Electronics Corporation Harrisburg, PA 17105-3608										
A1	ECO-09-026346	26NOV09	KK	AEG	 0 PLC ±— 1 PLC ±— 2 PLC ±— 3 PLC ±— 4 PLC ±— ANGLES ±—			NAME <b>PCB CONNECTOR STRIP 2 ROWS, BREAKABLE</b>									
P	LTR	REVISION RECORD	DATE	DWN	APVD	SURFACE TEXTURE											
THIS DRAWING IS A CONTROLLED DOCUMENT.						SCALE	1:1	SIZE	A4	DRAWING NO	345945	SHEET	1	OF	1	REV	A1