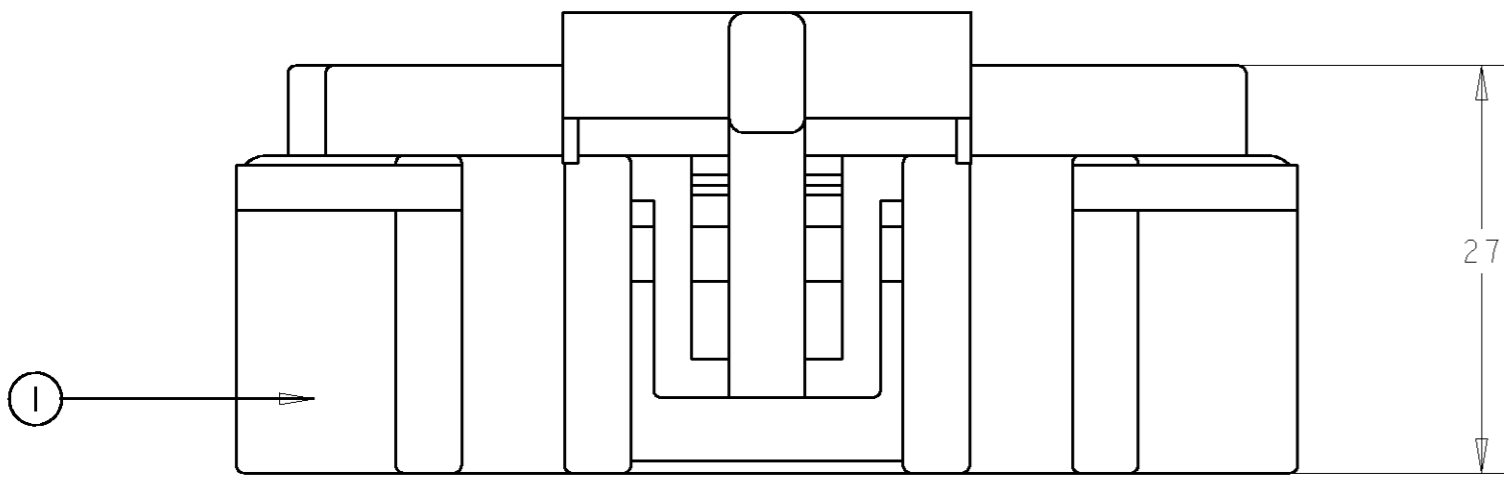
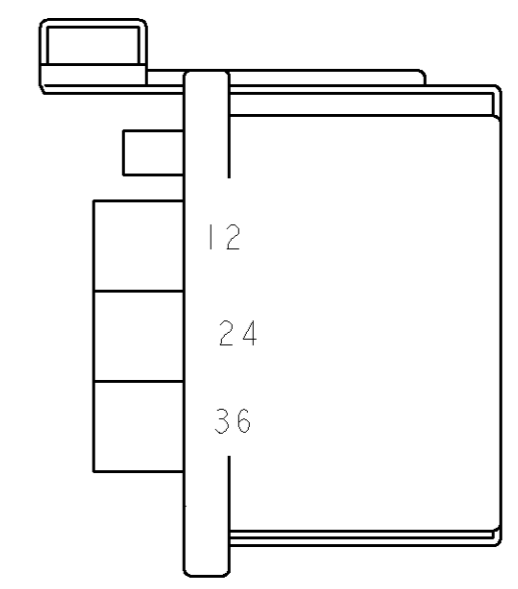
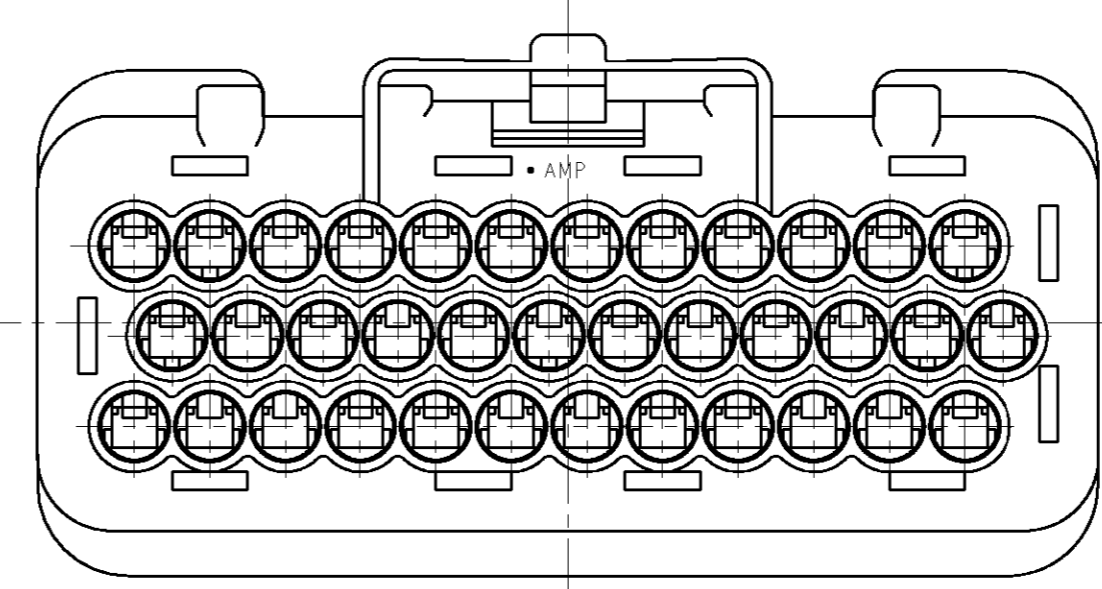
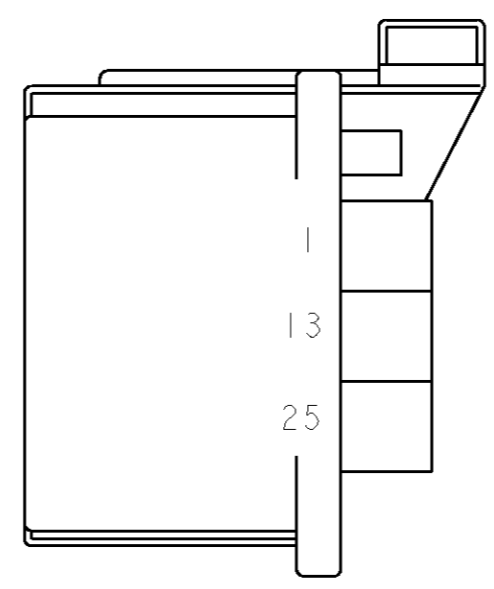
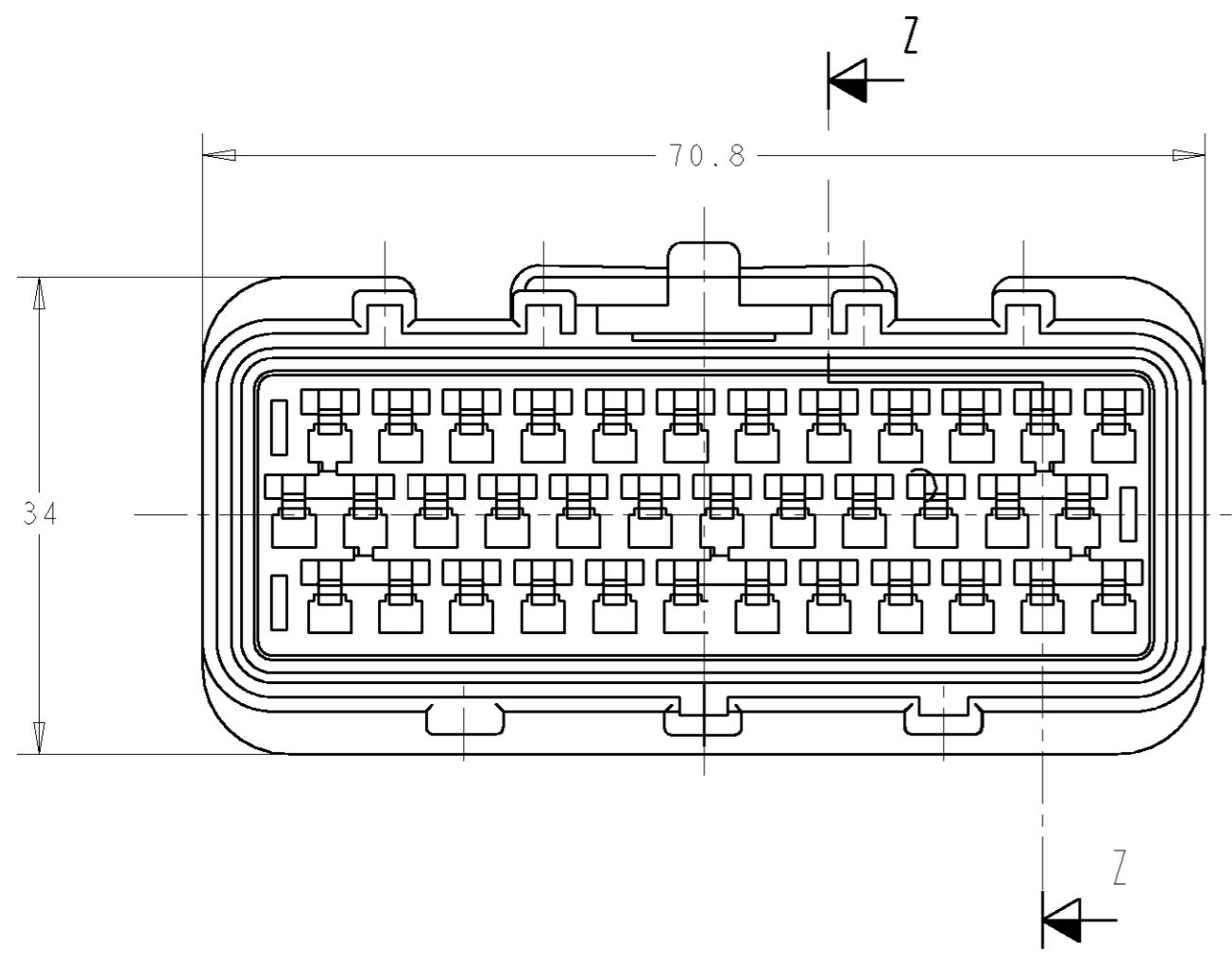
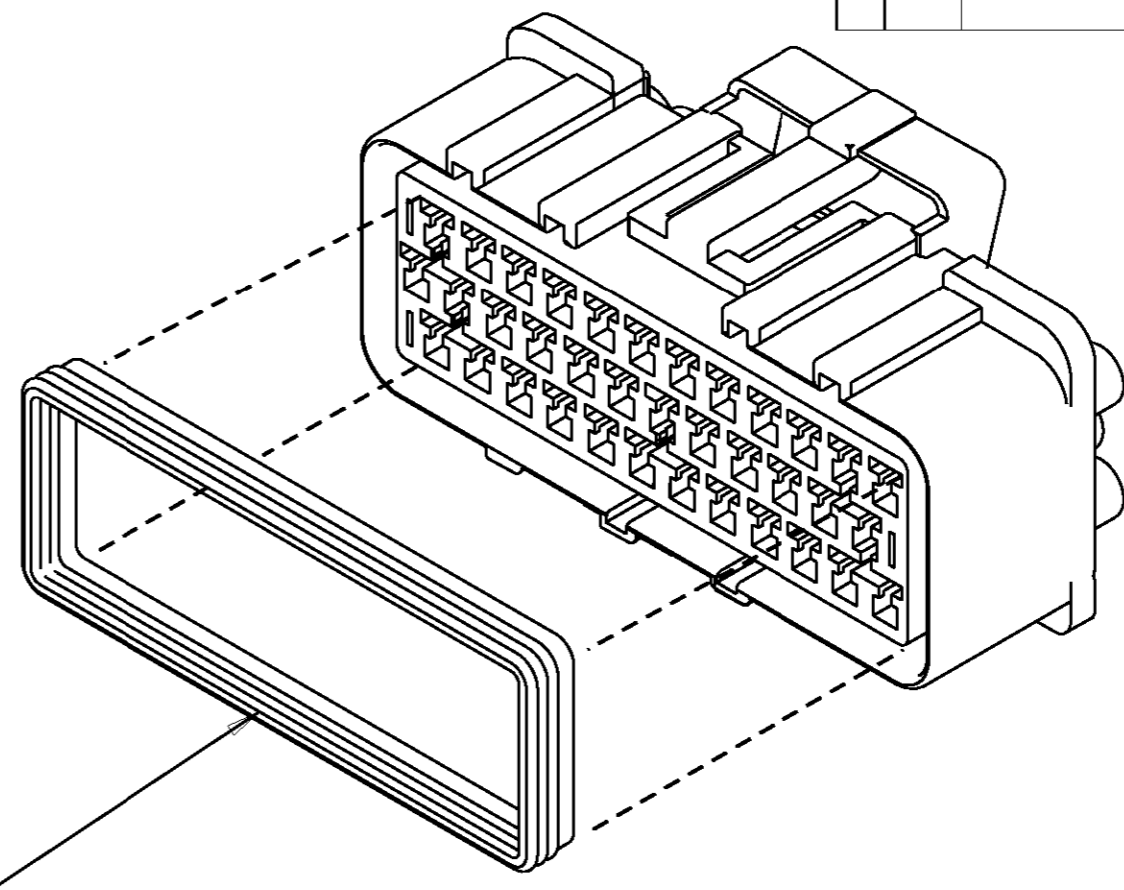
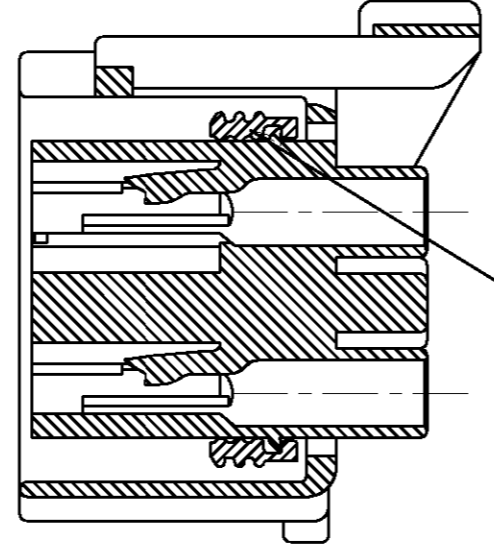


THIS DRAWING IS UNPUBLISHED. RELEASED FOR PUBLICATION 05-DEC-2000  
 © COPYRIGHT 20 BY TYCO ELECTRONICS CORPORATION. ALL RIGHTS RESERVED.

LOC	DIST	REVISIONS					
E	B	P	LTR	DESCRIPTION	DATE	DWN	APVD
		A		PRODUCTION RELEASE	05DEC2000	DRT	RB
		A1		EB00-0086-01	08MAR2001	DRT	RB
		<b>B</b>		<b>ECR-06-004496</b>	<b>28FEB06</b>	<b>RS</b>	<b>BB</b>



SECTION Z-Z



ITEM NO	MATERIAL	DESCRIPTION	QTY.	PART NO	ASSY PART NUMBER
2	SILICONE	PERIPHERAL SEAL	1	347597-1	346245-5
1	PA 6.6, RED	36 WAY REC. HSG.	1	346667-5	

THIS DRAWING IS A CONTROLLED DOCUMENT FOR TYCO ELECTRONICS CORPORATION IT IS SUBJECT TO CHANGE AND THE CONTROLLING ENGINEERING ORGANIZATION SHOULD BE CONTACTED FOR THE LATEST REVISION.		DWN 05DEC2000 D. R. TERRY CHK 05DEC2000 R. BAKER APVD 05DEC2000 R. BAKER	Tyco Electronics UK Ltd, Stanmore, Middlesex, HA7 4RS.
DIMENSIONS: mm	TOLERANCES UNLESS OTHERWISE SPECIFIED: LINEAR ±0.5 0-PLC ±0.1 1-PLC ±0.1 2-PLC ±0.05 3-PLC ±0.1 4-PLC ±0.1 ANGLES ±0.5 FINISH -	NAME 36 WAY RECEPTACLE HOUSING ASSY. FOR ECONOSEAL 3 (WIRE TO BOARD)	SIZE A2
MATERIAL SEE LIST	APPLICATION SPEC - WEIGHT -	CAGE CODE 00779	DRAWING NO 346245
CUSTOMER DRAWING		SCALE 2:1	SHEET OF REV B