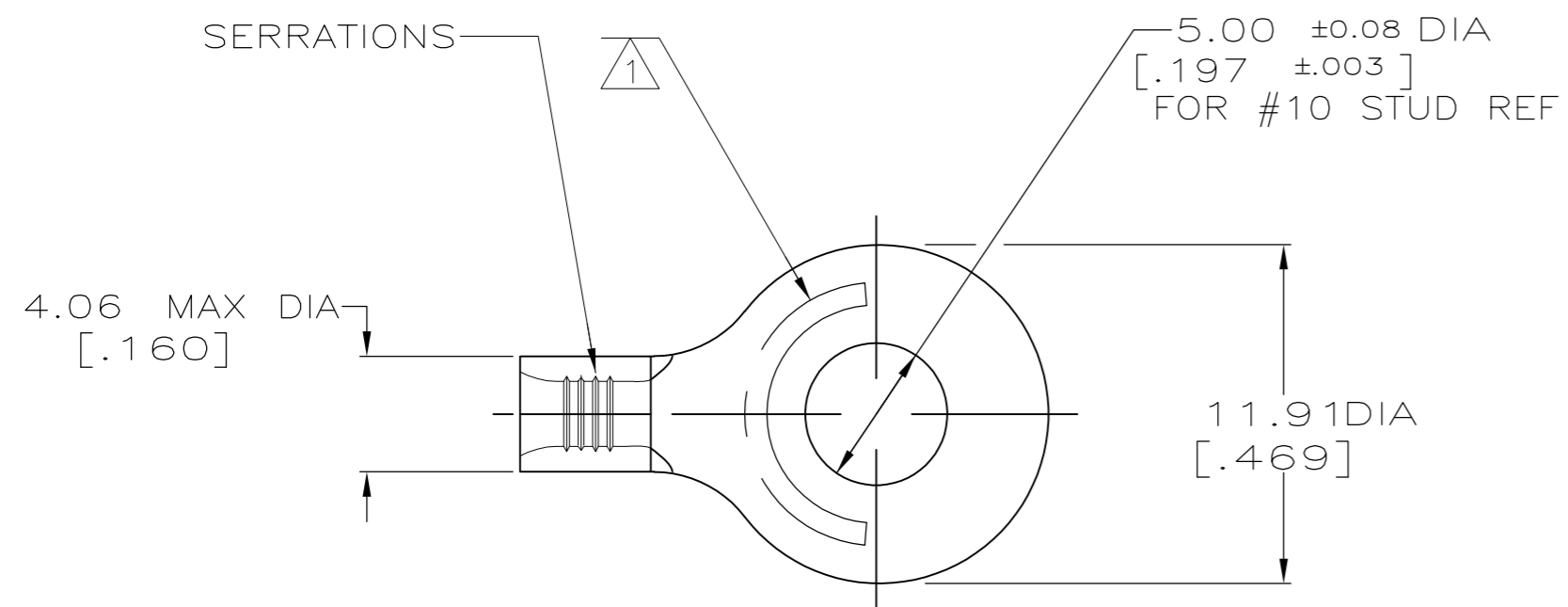


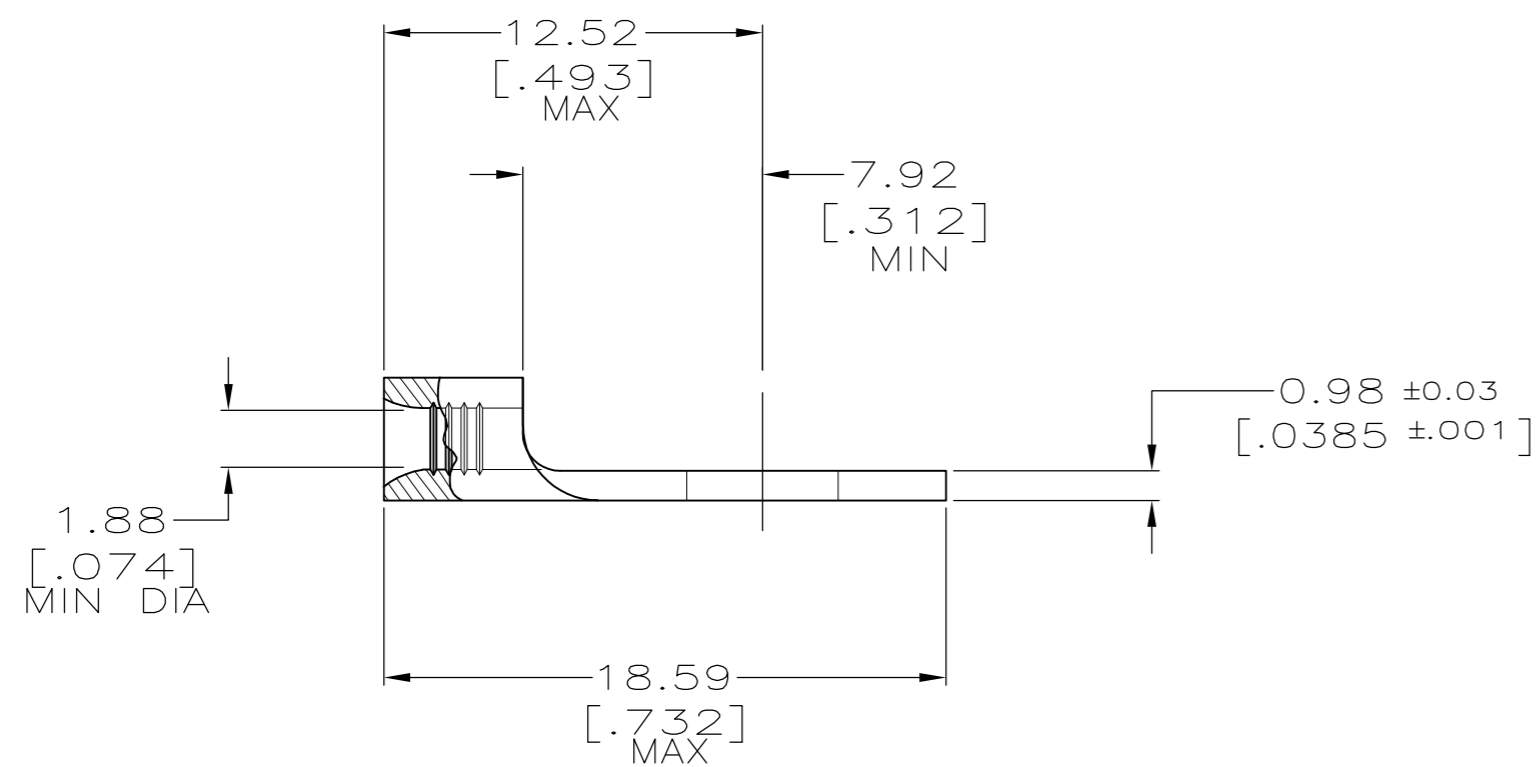
THIS DRAWING IS UNPUBLISHED. RELEASED FOR PUBLICATION  
 © COPYRIGHT BY TYCO ELECTRONICS CORPORATION. ALL INTERNATIONAL RIGHTS RESERVED.

LOC	DIST	REVISIONS			
P	LTR	DESCRIPTION	DATE	DWN	APVD
G	14	0	REV & REDRAWN PER G-5651	04/27/92	DKS DAP



- 1 STAMP AMP 20-16HD\* APPROX AS SHOWN
- 2 TIN PLATE 0.00381 [.000150] MIN PER ASTM B-545
- 3 MAX RECOMMENDED OPERATING TEMP IS 170°C MAX

<b>AMP</b> WIRE RANGE	Listed FILE E13288	LR7189 Certified
20-16HD AWG STRANDED	20-16HD AWG STRANDED	20-16HD AWG STRANDED



34970  
PART NO.

THIS DRAWING IS A CONTROLLED DOCUMENT.		DWN DK SCHRUM 04/27/92	Tyco Electronics Corporation Harrisburg, PA 17105-3608	
DIMENSIONS: MM [INCHES]		CHK DA PATTERSON 4/27/92	NAME JL MECKLEY 4/27/92	
TOLERANCES UNLESS OTHERWISE SPECIFIED:		APVD JL MECKLEY 4/27/92	PRODUCT SPEC UL - 486 A	
0 PLC ± -		APPLICATION SPEC NOT AVAILABLE		SIZE A2
1 PLC ± -		WEIGHT -		CAGE CODE 00779
2 PLC ± 0.20[.008]		FINISH TIN PLATE 2		DRAWING NO C=34970
3 PLC ± -		MATERIAL COPPER ASTM B-152		RESTRICTED TO -
4 PLC ± -		CUSTOMER DRAWING		SCALE 4:1
ANGLES ± -		SHEET 1 of 1		REV 0