

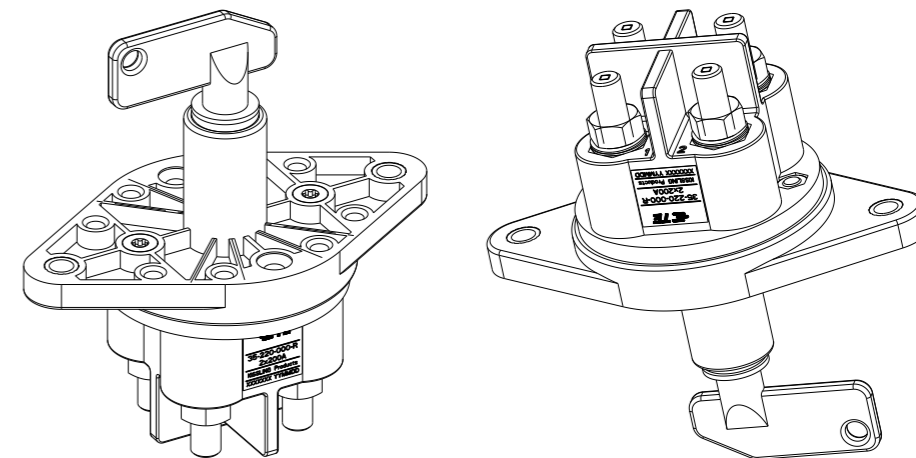
P	LTR	DESCRIPTION	DATE	DWN	APVD
	A	TE STANDARD UPDATED	24MAY2024	KS	RB

TA-Nr.	Battery Disconnecter 2x200A	Bl.1 v.1																																				
<p style="text-align: left;">Für diese Zeichnung behalten wir uns das Urheberrecht gemäß DIN ISO 16016 vor</p> <p><b>Technical Data:</b></p> <table style="width:100%; border: none;"> <tr><td>Case Material</td><td>PA GF black</td></tr> <tr><td>Switch Lever Material</td><td>PA GF red</td></tr> <tr><td>Min. Insulation Resistance</td><td>100MΩ</td></tr> <tr><td>Dielectric Withstanding Voltage</td><td>1050V-1min.</td></tr> <tr><td>Max. Contact Drop during Resistive Load</td><td>150mV</td></tr> <tr><td>Voltage</td><td>up to 32VDC</td></tr> <tr><td>Duty Rating</td><td>2x 200A</td></tr> <tr><td>Overload</td><td>2x 500A-180sec.</td></tr> <tr><td></td><td>2x 1000A-30sec.</td></tr> <tr><td>Sealing</td><td>IP 67/ IEC 529</td></tr> <tr><td>Vibration</td><td>4G/ 50-2000Hz</td></tr> <tr><td>Shock G-Lever</td><td>6G/ 11ms</td></tr> <tr><td>Weight</td><td>~310g / 0.68 pound</td></tr> <tr><td>Temperature Range</td><td>-40°C to +85°C</td></tr> <tr><td>Wire Section (At Nominal Load)</td><td>min. 70mm<sup>2</sup></td></tr> <tr><td>Mounting Position</td><td>optional</td></tr> <tr><td>Switch Lever</td><td>removeable</td></tr> <tr><td>Torque (Main Terminals)</td><td>12-13Nm</td></tr> </table>			Case Material	PA GF black	Switch Lever Material	PA GF red	Min. Insulation Resistance	100MΩ	Dielectric Withstanding Voltage	1050V-1min.	Max. Contact Drop during Resistive Load	150mV	Voltage	up to 32VDC	Duty Rating	2x 200A	Overload	2x 500A-180sec.		2x 1000A-30sec.	Sealing	IP 67/ IEC 529	Vibration	4G/ 50-2000Hz	Shock G-Lever	6G/ 11ms	Weight	~310g / 0.68 pound	Temperature Range	-40°C to +85°C	Wire Section (At Nominal Load)	min. 70mm <sup>2</sup>	Mounting Position	optional	Switch Lever	removeable	Torque (Main Terminals)	12-13Nm
Case Material	PA GF black																																					
Switch Lever Material	PA GF red																																					
Min. Insulation Resistance	100MΩ																																					
Dielectric Withstanding Voltage	1050V-1min.																																					
Max. Contact Drop during Resistive Load	150mV																																					
Voltage	up to 32VDC																																					
Duty Rating	2x 200A																																					
Overload	2x 500A-180sec.																																					
	2x 1000A-30sec.																																					
Sealing	IP 67/ IEC 529																																					
Vibration	4G/ 50-2000Hz																																					
Shock G-Lever	6G/ 11ms																																					
Weight	~310g / 0.68 pound																																					
Temperature Range	-40°C to +85°C																																					
Wire Section (At Nominal Load)	min. 70mm <sup>2</sup>																																					
Mounting Position	optional																																					
Switch Lever	removeable																																					
Torque (Main Terminals)	12-13Nm																																					
<table border="1" style="width:100%; border-collapse: collapse;"> <thead> <tr> <th>Datum</th> <th>Name</th> <th>Allgemeintoleranz</th> <th>Maßstab</th> <th>Zeichnungs-Nr.</th> </tr> </thead> <tbody> <tr> <td>Erstel. 04.05.2016</td> <td>N.Mielke</td> <td></td> <td>1:2</td> <td>35-220-000-R</td> </tr> <tr> <td>Bearb. 05.12.2019</td> <td>Seege</td> <td></td> <td></td> <td></td> </tr> <tr> <td>Freig. 09.03.2020</td> <td>Grind</td> <td></td> <td></td> <td></td> </tr> </tbody> </table>	Datum	Name	Allgemeintoleranz	Maßstab	Zeichnungs-Nr.	Erstel. 04.05.2016	N.Mielke		1:2	35-220-000-R	Bearb. 05.12.2019	Seege				Freig. 09.03.2020	Grind				BU/UNG	Vers.Nr.:																
Datum	Name	Allgemeintoleranz	Maßstab	Zeichnungs-Nr.																																		
Erstel. 04.05.2016	N.Mielke		1:2	35-220-000-R																																		
Bearb. 05.12.2019	Seege																																					
Freig. 09.03.2020	Grind																																					

NOTE:  
Bemerkungen:

1 TE-CONNECTIVITY ORDER-NUMBER  
TE-Connectivity Bestellnummer

2 DO NOT SWITCH UNDER LOAD!  
Nicht unter Last schalten!



K1126751	1	A	BATTERY DISCONNECTOR 2x200A Batterietrennschalter 2x200A	1
TE ORDER-NO.	REV.		DESCRIPTION	ITEM NO

THIS DRAWING IS A CONTROLLED DOCUMENT.		DWN N.Mielke 04MAY2016 CHK K.Seeger 05DEC2019 APVD U.Grindemann 09MAR2020 PRODUCT SPEC
DIMENSIONS: mm	TOLERANCES UNLESS OTHERWISE SPECIFIED: DIN ISO 2768-CL	APPLICATION SPEC
	0 PLC ± 1 PLC ± 2 PLC ± 3 PLC ± 4 PLC ± ANGLES ±	WEIGHT
MATERIAL	FINISH	CUSTOMER DRAWING

TE		TE Connectivity	
NAME BATTERY DISCONNECTOR 2x200A Batterietrennschalter 2x200A			
SIZE	CAGE CODE	DRAWING NO	RESTRICTED TO
A3	00779	G-35-220-000-R	-
SCALE		SHEET	REV
5:1		1 OF 1	A