

Battery Disconnecter 2x200A Page 1 of 1

Technical Data:

Case Material	PA GF black
Switch Lever Material	PA GF black
Min. Insulation Resistance	100MΩhm
Dielectric Withstanding Voltage	1050V-1min.
Max. Contact Drop during Resistive Load	150mV
Voltage	to 32VDC
Duty Rating	2x200A
Overload	2x500A-180sec. 2x1000A-30sec. 2x2500A-5sec.
Sealing	IP 67/ IEC 529
Vibration	4G / 50-2000Hz
Shock G-Level	6G / 11ms
Weight	~330g / 0.72 Pound
Temperature Range	-40°C to +85°C
Wire Section (at nominal Load)	min. 70mm ²
Mounting Position	optional
Switch Lever	removeable
Max. Torque (Main Contacts)	12-13Nm

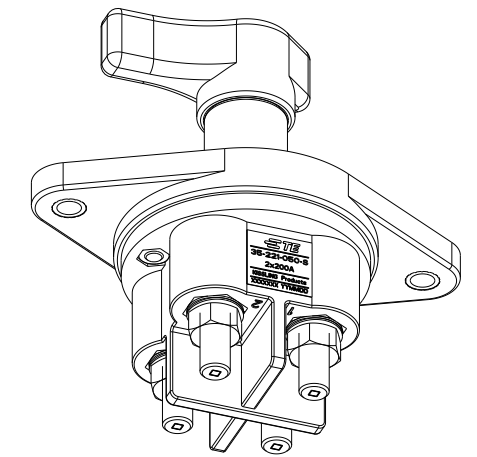
Date	Name	mm	Scale		Drawing No:
Drawn 05.07.2018	Seege	1:2			35-221-050-S
Check 06.08.2018	Grind	General Tolerances DIN ISO 2768 cL			NSN:

REVISIONS					
P	LTR	DESCRIPTION	DATE	DWN	APVD
	A	TE STANDARD	20MAY2024	KS	RB

NOTE
Bemerkungen:

1 TE-CONNECTIVITY ORDER-NUMBER
TE-connectivity Bestellnummer

2 DO NOT SWITCH UNDER LOAD!
Nicht unter Last schalten!



ISO 1:2

K1158726 / 1	A	BATTERY DISCONNECTOR 2x200A Batterietrennschalter 2x200A	1
TE ORDER-NO.	REV.	DESCRIPTION	ITEM NO.

THIS DRAWING IS A CONTROLLED DOCUMENT.		DWN K.Seeger 05JUL2018	TE Connectivity	
DIMENSIONS: mm		CHK K.Seeger 05JUL2018		
TOLERANCES UNLESS OTHERWISE SPECIFIED: DIN ISO 2768 cL		APVD U.Grindemann 06AUG2018	NAME BATTERY DISCONNECTOR 2x200A Batterietrennschalter 2x200A	
0 PLC ± 1 PLC ± 2 PLC ± 3 PLC ± 4 PLC ± ANGLES ±		PRODUCT SPEC	SIZE CAGE CODE DRAWING NO RESTRICTED TO A3 00779 C-35-221-050-S -	
MATERIAL FINISH		APPLICATION SPEC	SCALE SHEET 1 OF 1 REV A	
WEIGHT		CUSTOMER DRAWING		