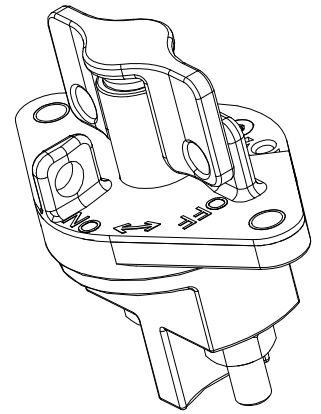
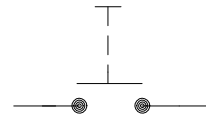


Circuit



Technical Data:

Case Material .....	PA GF black
Switch Lever Material .....	PA GF black
Min.Insulation Resistance .....	100M $\Omega$ hm
Dielectric Withstanding Voltage .....	1050V-1min.
Max.Contact Drop during Resistive Load .....	150mV
Voltage .....	up to 32VDC
Duty Rating .....	200A
Overload .....	1200A-2min.
.....	1600A-30sec.
.....	2000A-3sec.
Sealing .....	IP 67/ IEC 529
Vibration .....	4G/ 50-2000Hz
Shock G-Lever .....	6G/ 11ms
Weight .....	~330g / 0.73 pound
Temperature Range .....	-40°C to +85°C
Wire Section (At Nominal Load) .....	min. 70mm <sup>2</sup>
Mounting Position .....	optional
Switch Lever .....	not removeable
Torque (Main Terminals) .....	15-20Nm

For this drawing we reserve the copyright in accordance with DIN ISO 16016

	Date	Name
Create	12.12.2019	Seege
Edited	12.12.2019	Seege
Check	10.03.2020	Grind

mm ↔	Scale 1:2
General Tolerances DIN ISO 2768 cL	



Drawing No:

35-302

NSN: