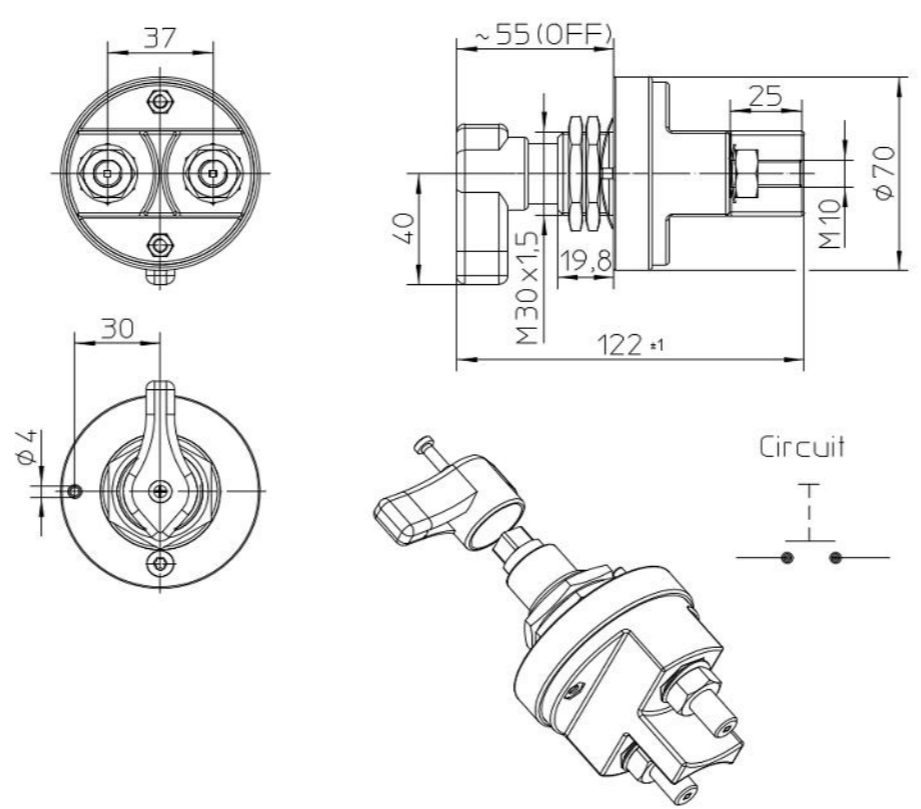
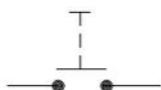


EC No.	Battery Disconnecter 400A	Page 1 of
--------	---------------------------	-----------



Circuit



For this drawing we reserve the copyright in accordance with DIN ISO 16016

**Technical Data:**

Case Material	PA GF black
Switch Lever Material	PA GF red
Min. Insulation Resistance	100MΩ
Dielectric Withstanding Voltage	1050V-1min.
Max. Contact Drop during Resistive Load	150mV
Voltage	to 32VDC
Duty Rating	400A
Overload	1200A-4min 1600A-1.5min 2000A-10sec
Sealing	IP 67/ IEC 529
Vibration	4G / 50-2000Hz
Shock G-Level	6G / 11ms
Weight	360g / 0.8 Pound
Temperature Range	-40°C to +85°C
Wire Section (at nominal Load)	min. 240mm <sup>2</sup>
Switch Lever	not removeable
Max. Torque (Main Contacts)	15-20Nm

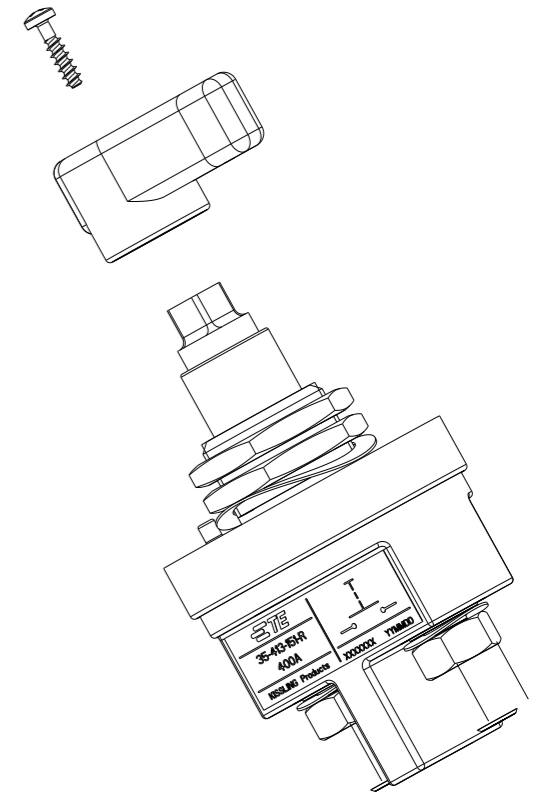
	Date	Name	mm	Scale		Drawing No:
Create	20.01.2004	Grind	↔	1:2		35-413-151-R
Edited	20.09.2019	Mielk	General Tolerances			NSN:
Check	20.09.2019	Grind				

REVISIONS					
P	LTR	DESCRIPTION	DATE	DWN	APVD
	A	ECN-24-270048	TE STANDARD	14 JUN2024	KS RB

NOTE  
Bemerkungen:


1 TE-CONNECTIVITY ORDER-NUMBER  
TE-connectivity Bestellnummer

2 DO NOT SWITCH UNDER LOAD!  
Nicht unter Last schalten!



1	K1121363	A	BATTERY DISCONNECTOR 400A Batterietrennschalter 400A	1
TE ORDER-NO.		REV.	DESCRIPTION	ITEM NO



THIS DRAWING IS A CONTROLLED DOCUMENT.		DWN	20JAN2004		NAME <b>BATTERY DISCONNECTOR 400A</b> Batterietrennschalter 400A
DIMENSIONS: mm		CHK	20SEP2019		
		TOLERANCES UNLESS OTHERWISE SPECIFIED: DIN ISO 2768 cL			
		APVD	20SEP2019		
		MATERIAL			
FINISH		PRODUCT SPEC		SIZE CAGE CODE DRAWING NO RESTRICTED TO A3 00779 © 35-413-151-R -	
		WEIGHT			
CUSTOMER DRAWING		SCALE SHEET 1 OF 1 REV A			