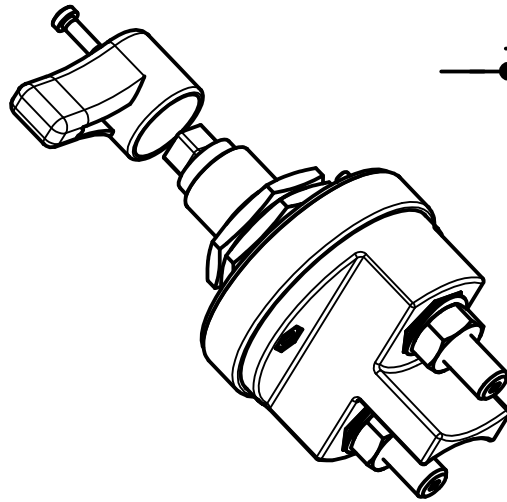
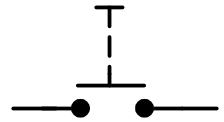


Circuit

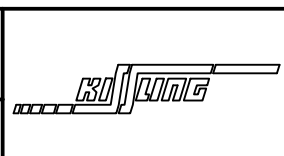


Technical Data:

Case Material.....	PA GF black
Switch Lever Material.....	PA GF red
Min.Insulation Resistance.....	100MOhm
Dielectric Withstanding Voltage.....	1050V-1min
Max.Contact Drop during Resistive Load.....	150mV
Voltage.....	to 32VDC
Duty Rating.....	400A
Overload.....	1200A-4min
.....	1600A-1.5min
.....	2000A-10sec
Sealing.....	IP 67 / IEC 529
Vibration.....	4G / 50-2000Hz
Shock G-Level.....	6G / 11ms
Weight.....	360g / 0.8 Pound
Temperature Range.....	-40°C to +85°C
Wire Section (At Nominal Load).....	min. 240 mm ²
Switch Lever.....	not removeable
Torque (Main Terminals).....	15-20 Nm

Date	Name
05.09.2013	Mielk
05.09.2013	Grind

mm	Scale
	1:2
General Tolerances	
DIN ISO 2768 cL	



Drawing No:	35-413-151-R-901
NSN:	