

EC No. 15420	<h1>Battery Disconnecter 500A</h1>	Page 1 of 1
-----------------	------------------------------------	-------------

Circuit

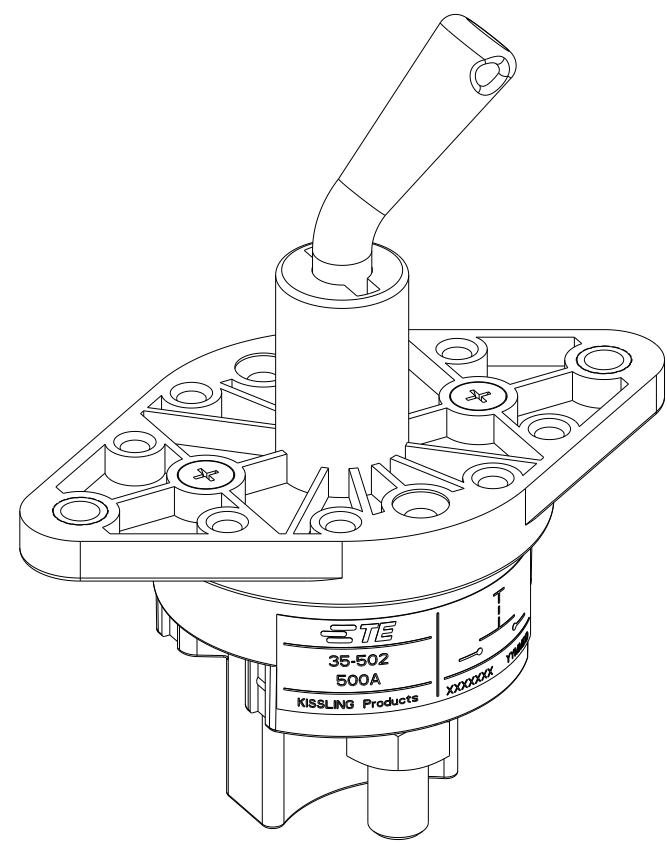
Technical Data:

Case Material: Cover	Vyncolit black
Base Plate	PA GF black
Switch Lever Material	PA GF black
Min. Insulation Resistance	100MΩ
Dielectric Withstanding Voltage	1050V-1min.
Max. Contact Drop during Resistive Load	150mV
Voltage	to 32VDC
Duty Rating	500A
Overload	1500A-4min.
.....	2000A-1.5min.
.....	2500A-10sec
Sealing	IP 67/ IEC 529
Vibration	4G/ 50-2000Hz
Shock G-Level	6G/ 11ms
Weight	340g/ 0.75 Pound
Temperature Range	-40°C to +85°C
Wire Section (At Nominal Load)	min. 250mm ²
Switch lever	removeable
Max. Torque (Main Contacts)	15-20Nm

	Date	Name	mm	Scale		Drawing No:
Drawn	11.03.2003	Bicer	↔	1:2		35-502
Check	21.07.2009	Drech	General Tolerances		Elektrotechnik - GmbH & Co KG D - 72218 Wildberg	NSN:

REVISIONS					
P	LTR	DESCRIPTION	DATE	DWN	APVD
	A	ECN-24-270048	TE STANDARD	14 JUN2024	KS RB

- NOTE
Bemerkungen:
- 1 TE-CONNECTIVITY ORDER-NUMBER
TE-Connectivity Bestellnummer
 - 2 DO NOT SWITCH UNDER LOAD!
Nicht unter Last schalten!



1	K1060504	A	BATTERY DISCONNECTOR 500A Batterietrennschalter 500A	1
TE ORDER-NO.	REV.		DESCRIPTION	ITEM NO

THIS DRAWING IS A CONTROLLED DOCUMENT.		DWN E.Bicer 11MAR2003	TE Connectivity BATTERY DISCONNECTOR 500A Batterietrennschalter 500A													
DIMENSIONS: mm		CHK E.Bicer 11MAR2003														
TOLERANCES UNLESS OTHERWISE SPECIFIED: DIN ISO 2768 cL		APVD C.Drechsler 21JUL2009														
<table style="width:100%; border-collapse: collapse;"> <tr> <td>0 PLC</td><td>±</td></tr> <tr> <td>1 PLC</td><td>±</td></tr> <tr> <td>2 PLC</td><td>±</td></tr> <tr> <td>3 PLC</td><td>±</td></tr> <tr> <td>4 PLC</td><td>±</td></tr> <tr> <td>ANGLES</td><td>±</td></tr> <tr> <td>FINISH</td><td></td></tr> </table>		0 PLC				±	1 PLC	±	2 PLC	±	3 PLC	±	4 PLC	±	ANGLES	±
0 PLC	±															
1 PLC	±															
2 PLC	±															
3 PLC	±															
4 PLC	±															
ANGLES	±															
FINISH																
MATERIAL		APPLICATION SPEC	SIZE	CAGE CODE	DRAWING NO	RESTRICTED TO										
		WEIGHT	A3	00779	35-502	-										
CUSTOMER DRAWING			SCALE	SHEET	1 OF 1	REV A										