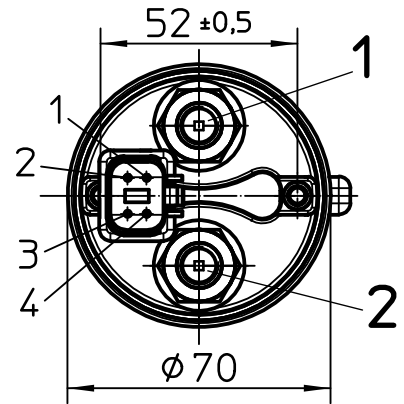
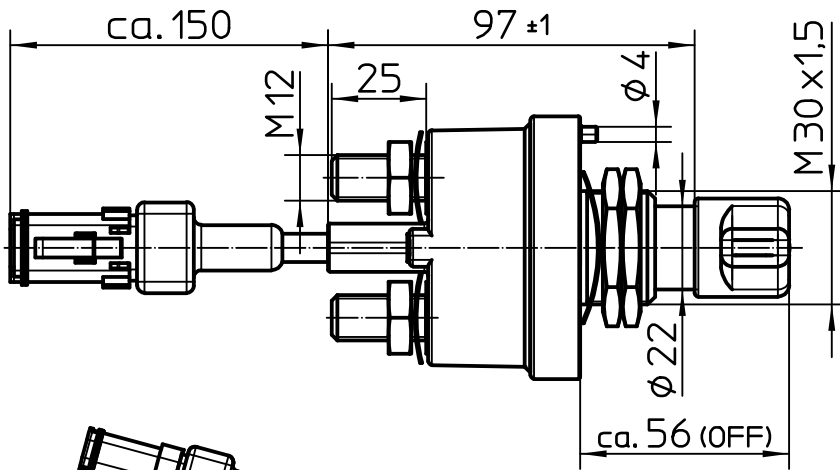
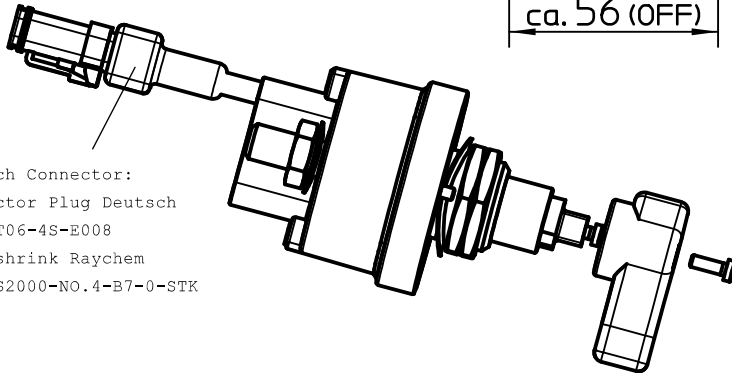


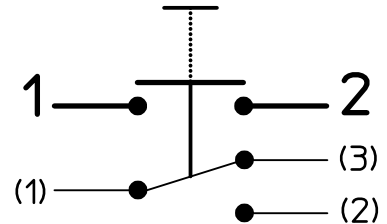
Mechanical Long-Life Version



Deutsch Connector:  
 Connector Plug Deutsch  
 P/N DT06-4S-E008  
 Heat shrink Raychem  
 P/N ES2000-NO.4-B7-0-STK



Circuit



Technical Data:

|  |                         |
|--|-------------------------|
| Case Material:Cover .....                      | Vyncolit black          |
| Base Plate .....                               | PA GF black             |
| Switch Lever Material .....                    | PA GF red               |
| Min.Insulation Resistance .....                | 100MOhm                 |
| Dielectric Withstanding Voltage .....          | 1050V-1min.             |
| Max.Contact Drop During Resistive Load .....   | 150mV                   |
| Voltage .....                                  | up to 32VDC             |
| Duty Rating .....                              | 500A                    |
| Overload .....                                 | 1500A-4min.             |
| .....  | 2000A-1.5min.           |
| .....  | 2500A-10sec.            |
| Mechanical Life.....                           | min. 150 000 cycles     |
| Auxiliary Contact:                             |                         |
| Continous Current: .....                       | 10A                     |
| Make and Brake: .....                          | 24V L/R 5ms 10A         |
| .....  | 24V L/R 20ms 6A         |
| Sealing .....                                  | IP 67/ IEC 529          |
| Vibration .....                                | 4G/ 50-2000Hz           |
| Shock .....                                    | 6G/ 11ms                |
| Weight.....                                    | 340g                    |
| Temperature Range .....                        | -40°C bis +85°C         |
| Wire Section(at nominal Load Main Terminals) . | min. 250mm <sup>2</sup> |
| Switch Lever .....                             | not removeable, red     |
| Max. Torque (Main Terminals).....              | 18-22Nm                 |

|       |            |       |                                       |       |                     |
|-------|------------|-------|---------------------------------------|-------|---------------------|
|       | Date       | Name  | mm                                    | Scale | Drawing No:         |
| Drawn | 19.08.2010 | Weiro | 1:2                                   |       | 35-513-251-R-A5-902 |
| Check | 27.08.2015 | Grind | General Tolerances<br>DIN ISO 2768 cL |       |                     |