

P	LTR	DESCRIPTION	DATE	DWN	APVD
	A	TE STANDARD UPDATED	24MAY2024	KS	RB

TA-Nr.	Battery Disconnecter 500A	Bl.1 v.1
--------	---------------------------	----------

Technical Data:

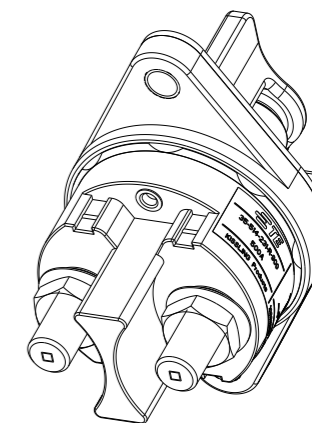
Case Material: Cover	Vyncolit black
Base Plate	PA GF black
Key Plate	PA GF red
Switch Lever Material	PA GF red
Min. Insulation Resistance	100MΩ
Dielectric Withstanding Voltage	1050V-1min
Max. Contact Voltage Drop	150mV
Voltage	up to 32VDC
Continuous Rating	500A
Overload	1500A 4min 2000A 1min 2500A-10sec
Sealing	IP 67/ IEC 529
Vibration	10G/ 18-500Hz
Weight	340g/ 0.75 Pound
Temperature Range	-40°C to +85°C
Wire Selection (At Nominal Load)	min. 250mm <sup>2</sup>
Key	not removeable lockable in "OFF" position not lockable in "ON" position
Max. Torque (Main Contacts)	18-22Nm

Datum	Name	Freimaßtoleranz	Maßstab	1:2	Zeichnungs-Nr.: 35-514-231-R-900
Bearb. 14.09.2007	Hamar				Vers.Nr.:
Gepr. 06.03.2013	Grind				

NOTE:  
Bemerkungen:

1 TE-CONNECTIVITY ORDER-NUMBER  
TE-Connectivity Bestellnummer

2 DO NOT SWITCH UNDER LOAD!  
Nicht unter Last schalten!



K1131360	1	A	BATTERY DISCONNECTOR 500A Batterietrennschalter 500A	1
TE ORDER-NO.	REV.		DESCRIPTION	ITEM NO

THIS DRAWING IS A CONTROLLED DOCUMENT.		DWN E.Hamarat 14SEP2007			
DIMENSIONS: mm		CHK E.Hamarat 14SEP2007			
		APVD U.Grindemann 06MAR2013			
		PRODUCT SPEC			
		APPLICATION SPEC			
MATERIAL		WEIGHT	NAME <b>BATTERY DISCONNECTOR 500A</b> Batterietrennschalter 500A		
		CUSTOMER DRAWING	SIZE A3	CAGE CODE 00779	DRAWING NO. 35-514-231-R-900
			SCALE	SHEET 1 OF 1	REV A