

Battery Disconnecter 2x500A Page 1 of 1

**Technical Data:**

Case Material: Cover:.....Vyncolit black  
 Base Plate:.....PA GF black  
 Switch Lever Material:.....PA GF red  
 Min. Insulation Resistance:.....100MΩ  
 Dielectric Withstanding Voltage:.....1050V-1min  
 Max. Contact Voltage Drop:.....150mV  
 Voltage:.....up to 32VDC  
 Continuous Rating:.....2x500A  
 Overload:.....2x2000A-1.5min  
 .....2x2850A-20s  
 5 Cycle Intermittend Rating .....2x2500A 20s ON  
 .....3,5min OFF  
 Sealing:.....IP 67/IEC 529  
 Vibration:.....10G 18-500Hz  
 Weight:.....860g / 1.9Pound  
 Temperature Range:.....-40°C to +85°C  
 Wire Section(at nominal load):.....min.2x250mm<sup>2</sup>  
 Key:.....not removeable  
 Max. Tourque (Main Contacts) .....15-20Nm

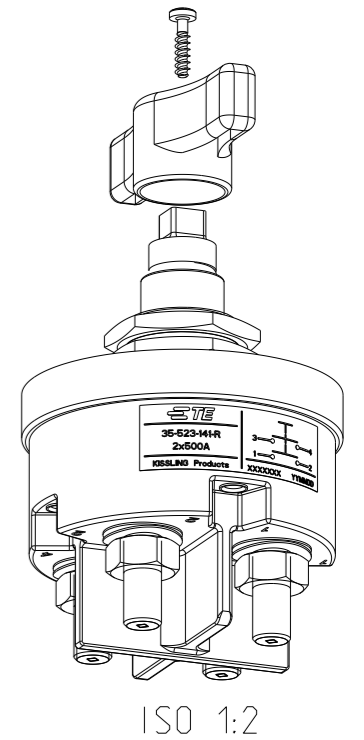
	Date	Name	mm	Scale		Drawing No:
Drawn	08.02.2012	Mielk	←→	1:2		35-523-141-R
Check	08.02.2012	Grind	General Tolerances DIN ISO 2768 cL			NSN:

REVISIONS					
P	LTR	DESCRIPTION	DATE	DWN	APVD
	A	TE STANDARD	04 JUL 2024	KS	RB

NOTE:  
Bemerkungen:

1 TE-CONNECTIVITY ORDER-NUMBER  
TE-Connectivity Bestellnummer

2 DO NOT SWITCH UNDER LOAD!  
Nicht unter Last schalten!



K1145391	1	A	BATTERY DISCONNECTOR 2x500A Batterietrennschalter 2x500A	1
TE ORDER-NO.	REV.		DESCRIPTION	ITEM NO

THIS DRAWING IS A CONTROLLED DOCUMENT.

DIMENSIONS: mm	TOLERANCES UNLESS OTHERWISE SPECIFIED: DIN ISO 2768 cL
	0 PLC ± 1 PLC ± 2 PLC ± 3 PLC ± 4 PLC ± ANGLES ± FINISH ±
MATERIAL	FINISH

DWN	N.Mielke	08FEB2012
CHK	N.Mielke	08FEB2012
APVD	U.Grindemann	08FEB2012
PRODUCT SPEC		
APPLICATION SPEC		
WEIGHT		
CUSTOMER DRAWING		

TE Connectivity

NAME  
**BATTERY DISCONNECTOR 2x500A  
Batterietrennschalter 2x500A**

SIZE	CAGE CODE	DRAWING NO	RESTRICTED TO
A3	00779	35-523-141-R	-
SCALE		SHEET 1 OF 1	REV A