

REVISIONS

| P | LTR | DESCRIPTION | DATE      | DWN | APVD |
|---|-----|-------------|-----------|-----|------|
|   | A   | TE STANDARD | 21JUN2024 | KS  | RB   |

EC No.

Battery Disconnecter 2x500A

Page 1 of 1

Circuit

**Technical Data:**

Case Material: Cover:.....Vyncolit black  
 Base Plate:.....PA GF black  
 Switch Lever Material:.....PA GF red  
 Min. Insulation Resistance:.....100MΩ  
 Dielectric Withstanding Voltage:.....1050V-1min  
 Max. Contact Voltage Drop:.....150mV  
 Voltage:.....up to 32VDC  
 Continuous Rating:.....2x500A  
 Overload:.....2x2000A-1.5min  
 .....,.....2x2500A-10sec  
 Sealing:.....IP 67/IEC 529  
 Vibration:.....10G 18-500Hz  
 Weight:.....860g / 1.9Pound  
 Temperature Range:.....-40°C to +85°C  
 Wire Section (at nominal load):.....min.250mm<sup>2</sup>  
 Key:.....not removeable  
 Max. Tourque (Main Contacts) .....15-20Nm

|       |            |        |  |       |  |
|-------|------------|--------|--|-------|--|
|       | Date       | Name   | mm                                     | Scale |  |
| Drawn | 02.10.2008 | Seeger | ↔                                      | 1:2   |  |
| Check | 23.03.2017 | Grind  | General Tolerances<br>DIN ISO 2768 cl. |       |  |

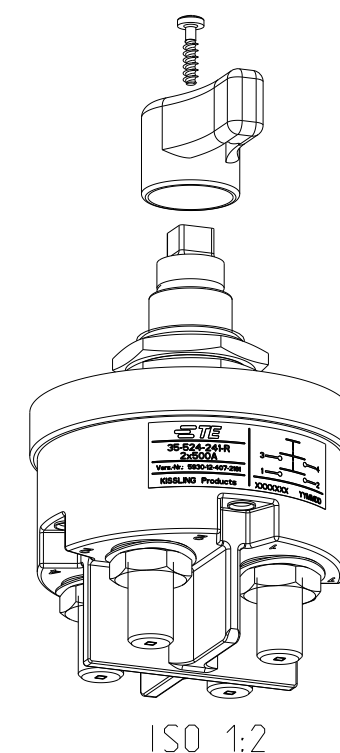
Drawing No:  
35-523-251-R

NSN:

NOTE:  
Bemerkungen:

1 TE-CONNECTIVITY ORDER-NUMBER  
TE-Connectivity Bestellnummer

2 DO NOT SWITCH UNDER LOAD!  
Nicht unter Last schalten!



|              |      |   |   |         |
|--------------|------|---|---|---------|
| K1134298     | 1    | A | BATTERY DISCONNECTOR 2x500A<br>Batterietrennschalter 2x500A | 1       |
| TE ORDER-NO. | REV. |   | DESCRIPTION   | ITEM NO |

|  |  |                                   |   |                    |                            |                    |
|--|--|-----------------------------------|---|--------------------|----------------------------|--------------------|
| THIS DRAWING IS A CONTROLLED DOCUMENT. |  | DWN<br>K.Seeger<br>02OCT2008      | TE Connectivity<br><b>BATTERY DISCONNECTOR 2x500A</b><br>Batterietrennschalter 2x500A |                    |                            |                    |
| DIMENSIONS:<br>mm                      |  | CHK<br>K.Seeger<br>02OCT2008      |   |                    |                            |                    |
|  |  | APVD<br>U.Grindemann<br>23MAR2017 |   |                    |                            |                    |
|  |  | PRODUCT SPEC                      |   |                    |                            |                    |
|  |  | APPLICATION SPEC                  |   |                    |                            |                    |
| MATERIAL                               |  | WEIGHT                            | SIZE<br>A3  | CAGE CODE<br>00779 | DRAWING NO<br>35-523-251-R | RESTRICTED TO<br>- |
|  |  | FINISH                            |   | CUSTOMER DRAWING   | SCALE                      | SHEET<br>1 OF 1    |