

EC No. Battery Disconnecter 2x500A Aux.2A Page 1 of 1

Technical Data:

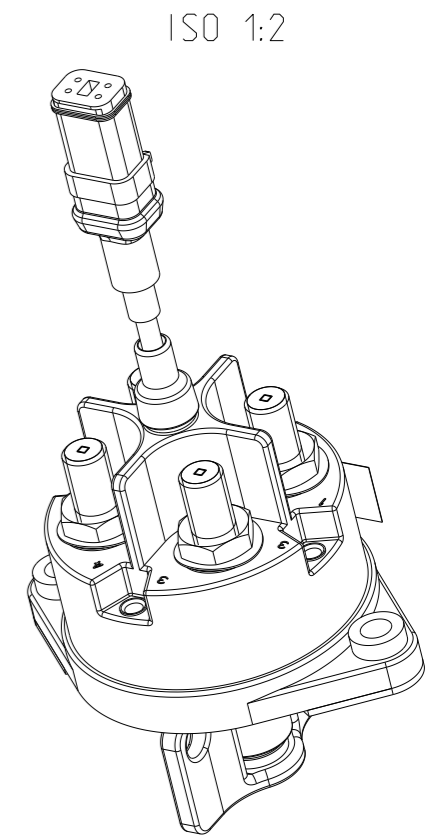
Case Material:Cover	Vyncolit black
Base Plate	PA GF black
Switch Lever Material	PA GF red
Min. Insulation Resistance	100MΩ
Dielectric Withstanding Voltage	1050V-1min.
Max. Contact Drop During Resistive Load	150mV
Voltage	up to 32VDC
Duty Rating	2x500A
Overload	2x2000A-1.5min. 2x2500A-10sec.
Auxiliary Contact:	
Continuous Current:	2A
Make and Brake:	2A
Sealing	IP 67/ IEC 529
Vibration	10G/ 18-500Hz
Weight	750g/1.65 Pound
Temperature Range	-40°C bis +85°C
Wire Section (at nominal Load Main Terminals) .	min. 250mm ²
Switch Lever	not removeable
Max. Torque (Main Terminals)	18-22Nm

Date	Name	mm	Scale	Drawing No:
Drawn 30.06.2011	Seeger	↔	1:2	35-524-231-R-A2-904
Check 11.04.2013	Grind			NSN:

REVISIONS					
P	LTR	DESCRIPTION	DATE	DWN	APVD
	A	TE STANDARD	19JUN2024	KS	RB

NOTE
Bemerkungen:

- 1 TE-CONNECTIVITY ORDER-NUMBER
TE-connectivity Bestellnummer
- 2 DO NOT SWITCH UNDER LOAD!
Nicht unter Last schalten!



K1143645	1	A	BATTERY DISCONNECTOR 2X500A AUX 2A Batterietrennschalter 2X500A Hiko 2A	1
TE ORDER-NO.	REV.		DESCRIPTION	ITEM NO

THIS DRAWING IS A CONTROLLED DOCUMENT.

DWN	K.Seeger	03JUL2011
CHK	K.Seeger	03JUL2011
APVD	U.Grindemann	11APRB2013
PRODUCT SPEC		
APPLICATION SPEC		
WEIGHT		
CUSTOMER DRAWING		

DIMENSIONS:	TOLERANCES UNLESS OTHERWISE SPECIFIED:
mm	DIN ISO 2768 cL
	0 PLC ±
	1 PLC ±
	2 PLC ±
	3 PLC ±
	4 PLC ±
	ANGLES ±
MATERIAL	FINISH

TE TE Connectivity

NAME
BATTERY DISCONNECTOR 2X500A AUX 2A
Batterietrennschalter 2X500A Hiko 2A

SIZE	CAGE CODE	DRAWING NO	RESTRICTED TO
A3	00779	35-524-231-R-A2-904	-
SCALE	SHEET	1 OF 1	REV A