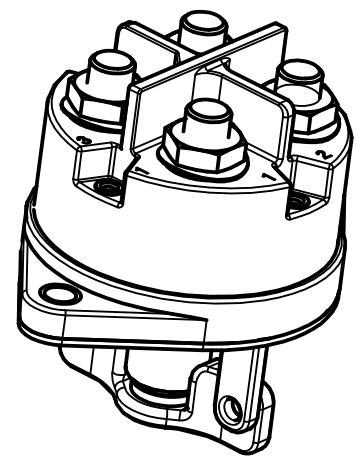
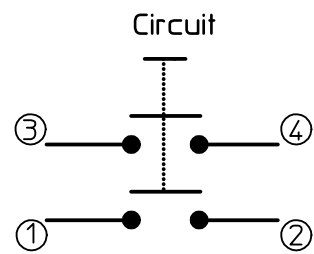


In OFF Position



Technical Data:

Case Material:Cover:.....	Vyncolit black
Base Plate:.....	PA GF black
Switch Lever Material:.....	PA GF black
Min. Insulation Resistance:.....	100M0hm
Dielectric Withstanding Voltage:.....	1050V-1min
Max. Contact Voltage Drop:.....	150mV
Voltage:.....	up to 32VDC
Continuous Rating:.....	2x500A
Overload:.....	2x2000A-1.5min
	2x2500A-10sec
Sealing:.....	IP 67/IEC 529
Vibration:.....	10G 18-500Hz
Weight:.....	700g / 1.5Pound
Temperature Range:.....	-40°C to +85°C
Wire Section(at nominal load):.....	min.250mm <sup>2</sup>
Key:.....	not removeable,black
Max. Tourque (Main Contacts) .....	18-22Nm

	Date	Name	mm	Scale	 Elektrotechnik - GmbH & Co KG D - 72218 Wildberg	Drawing No:
Drawn	20.02.2007	Grind		1:2		35-524-231-S-903
Check	19.07.2011	Grind	General Tolerances DIN ISO 2768 mK			NSN: