

REVISIONS

P	LTR	DESCRIPTION	DATE	DWN	APVD
	A	TE STANDARD UPDATED	24MAY2024	KS	RB

EC No.

Battery Disconnecter 2x500A

Page 1 of 1

Circuit

Technical Data

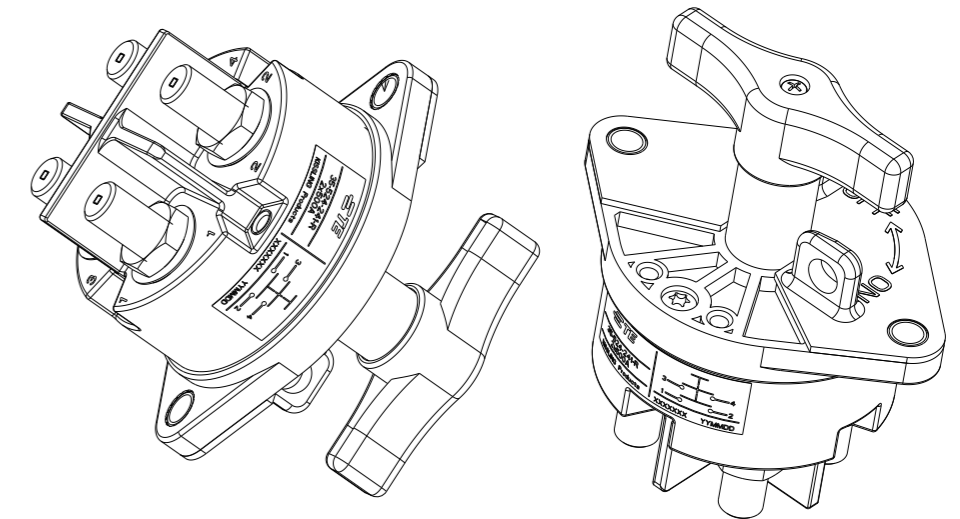
Case Material:	Cover	Vyncolit black
	Base Plate	PA GF black
Switch Lever Material		PA GF red
Min. Insulation Resistance		100 MOhm
Dielectric Withstanding Voltage		1050V-1min.
Max. Contact Drop during Resistive Load		150mV
Voltage		to 32 VDC
Duty Rating		2x500A
Overload		2x2000A-1.5min. 2x2500A-10sec.
Sealing		IP 67 / IEC 529
Vibration		10G, 18-500Hz
Shock G-Level		50G, 11ms
Duty Shock-6000 Zyklen		40G, 6ms
Weight		ca. 650g
Temperature Range		-40°C to +85°C
Wire Section (at nominal Load)		min. 250mm ²
Mounting position		optional
Switch lever		not removeable
Max. Torque (Main Contacts)		18-22 Nm

Date	Name	mm	Scale
12.11.2015	Seeger		1:2
12.11.2015	Grind		

Drawing No:
35-524-241-R-900

NSN:

- NOTE:
Bemerkungen:
- 1 TE-CONNECTIVITY ORDER-NUMBER
TE-Connectivity Bestellnummer
 - 2 DO NOT SWITCH UNDER LOAD!
Nicht unter Last schalten!



K1154427	1	A	BATTERY DISCONNECTOR 2x500A Batterietrennschalter 2x500A	1
TE ORDER-NO.	REV.		DESCRIPTION	ITEM NO

THIS DRAWING IS A CONTROLLED DOCUMENT.

DIMENSIONS:	TOLERANCES UNLESS OTHERWISE SPECIFIED:
mm	DIN ISO 2768-cl
0 PLC	±
1 PLC	±
2 PLC	±
3 PLC	±
4 PLC	±
ANGLES	±
MATERIAL	FINISH

DWN	12NOV2015
K.Seeger	
CHK	12NOV2015
K.Seeger	
APVD	12NOV2015
U.Grindemann	
PRODUCT SPEC	
APPLICATION SPEC	
WEIGHT	
CUSTOMER DRAWING	

TE Connectivity

BATTERY DISCONNECTOR 2x500A
Batterietrennschalter 2x500A

SIZE	CAGE CODE	DRAWING NO	RESTRICTED TO
A3	00779	35-524-241-R-900	-
SCALE	SHEET	1 OF 1	REV A