

Battery Disconnecter 2x500AMP Page 1 of 1

Schaltbild

Technical Data:

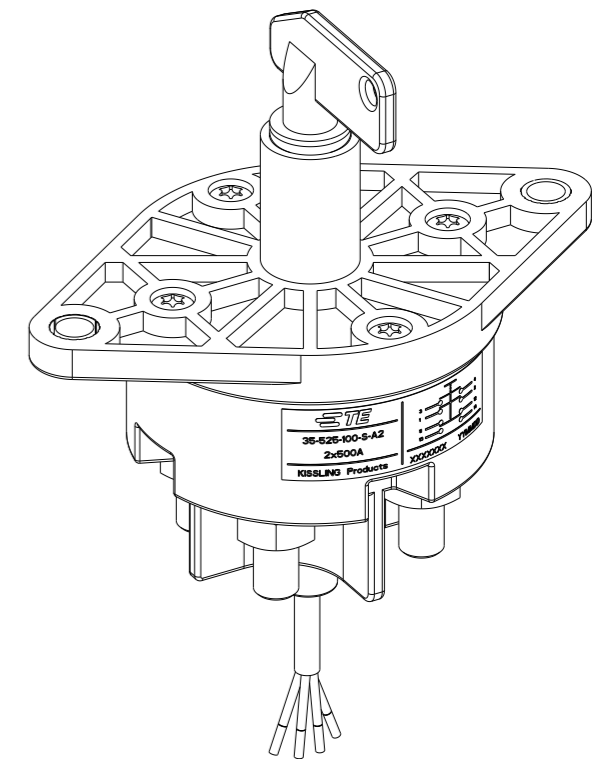
Case Material:Cover	Vyncolit black
Base Plate	PA GF black
Switch Lever Material	PA GF black
Min. Insulation Resistance	100MΩ
Dielectric Withstanding Voltage	1050V-1min.
Max. Contact Drop During Resistive Load	150mV
Voltage	up to 32VDC
Duty Rating	2x500A
Overload	2x2000A-1.5min. 2x2500A-10sec.
Auxiliary Contact:	
Continuous Current:	5A
Make and Brake:	5A
Sealing	
Sealing	IP 67/ IEC 529
Vibration	10G/ 18-500Hz
Weight	750g/1.65 Pound
Temperature Range	-40°C to +85°C
Wire Section(at nominal Load Main Terminals) .	min. 250mm ²
Switch Lever	removeable
Max. Torque (Main Terminals).....	18-22Nm

	Date	Name	mm	Scale		Drawing No:
Drawn	18.07.2017	NMiel	↔	1:2		35-525-100-S-A2
Check	19.07.2017	Grind	General Tolerances			NSN:

REVISIONS					
P	LTR	DESCRIPTION	DATE	DWN	APVD
	A	ECN-24-268451	TE STANDARD	30MAY2024	KS RB

NOTE
Bemerkungen:

- 1 TE-CONNECTIVITY ORDER-NUMBER
TE-Connectivity Bestellnummer
- 2 DO NOT SWITCH UNDER LOAD!
Nicht unter Last schalten!



1	K1159224	A	BATTERY DISCONNECTOR 2x500A Batterietrennschalter 2x500A	1
TE ORDER-NO.	REV.		DESCRIPTION	ITEM NO

THIS DRAWING IS A CONTROLLED DOCUMENT.		DWN N.Mielke 18 JUL 2017	TE Connectivity				
DIMENSIONS: mm		CHK N.Mielke 18 JUL 2017				NAME BATTERY DISCONNECTOR 2x500A Batterietrennschalter 2x500A	
		APVD U.Grindemann 19 JUL 2017					
TOLERANCES UNLESS OTHERWISE SPECIFIED: DIN ISO 2768 cL		PRODUCT SPEC				SIZE A3	
		APPLICATION SPEC	CAGE CODE 00779				
MATERIAL		WEIGHT	DRAWING NO 35-525-100-S-A2				
		CUSTOMER DRAWING			RESTRICTED TO -		
FINISH		SCALE	SHEET 1 OF 1				
ANGLES ±		REV A					