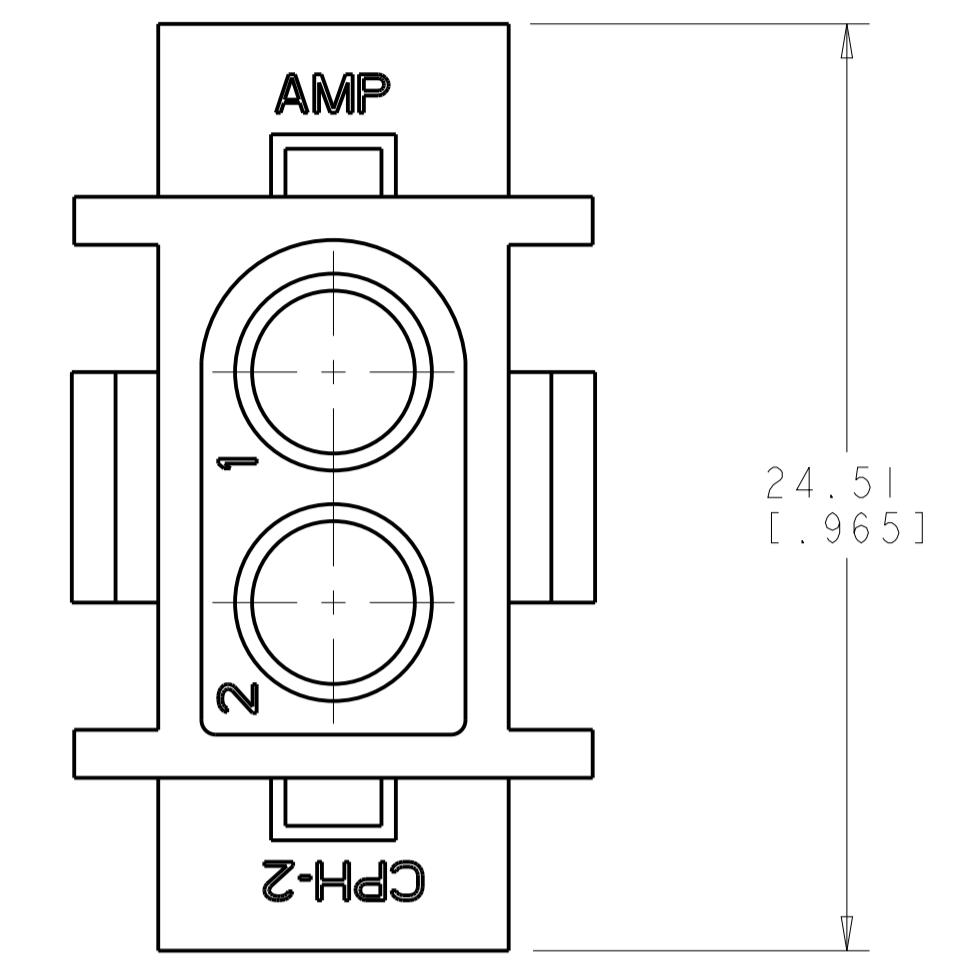
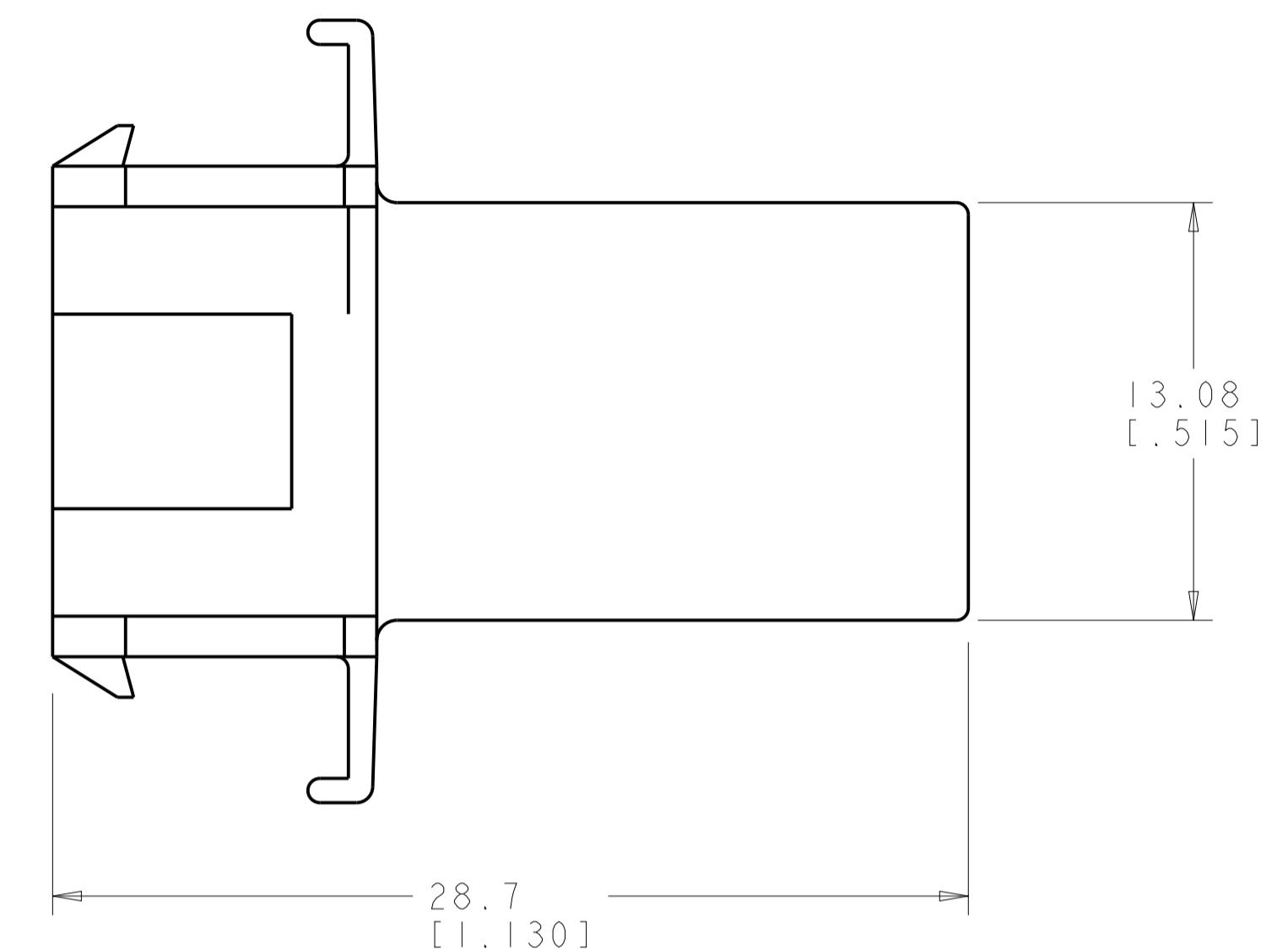
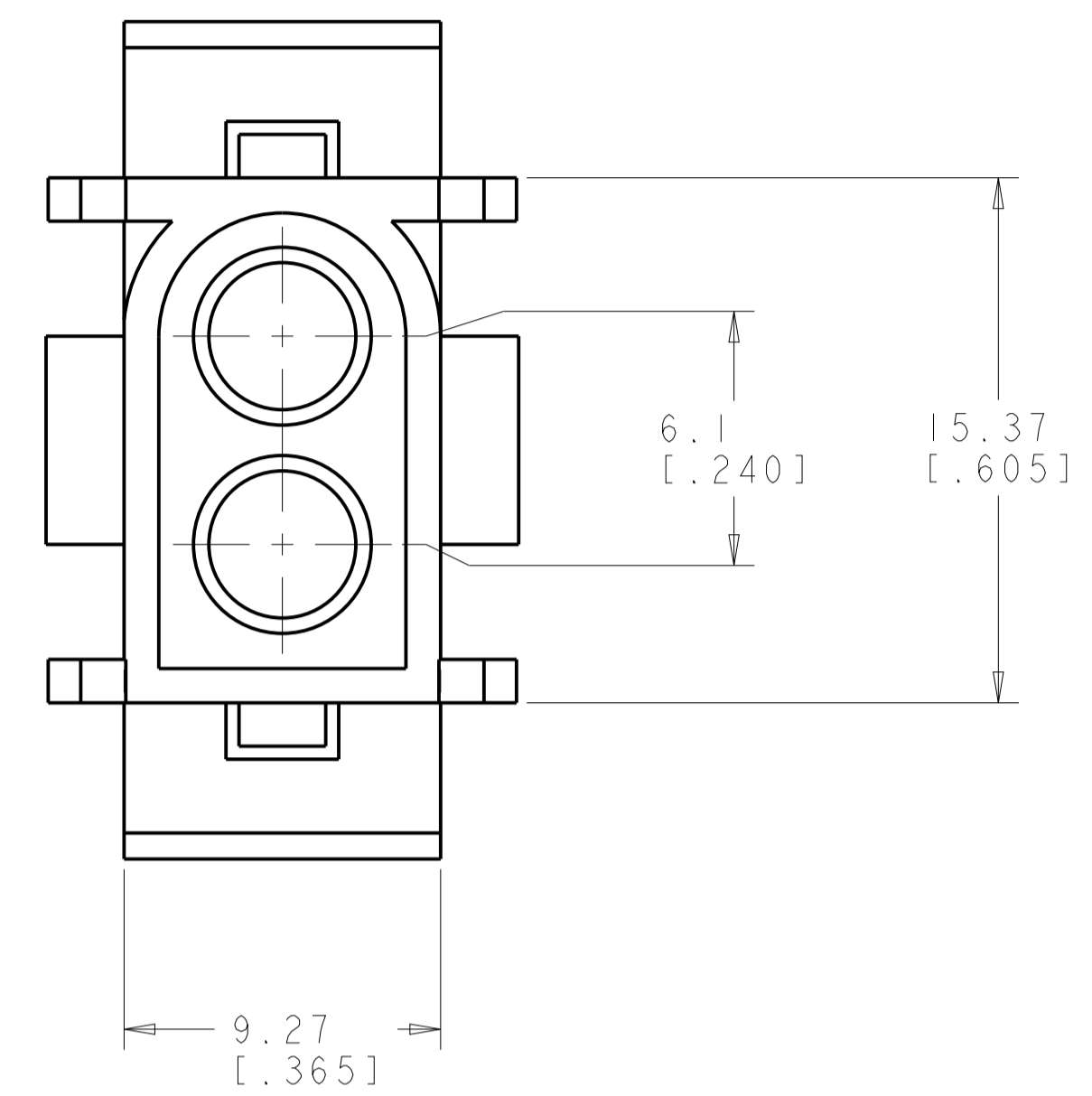
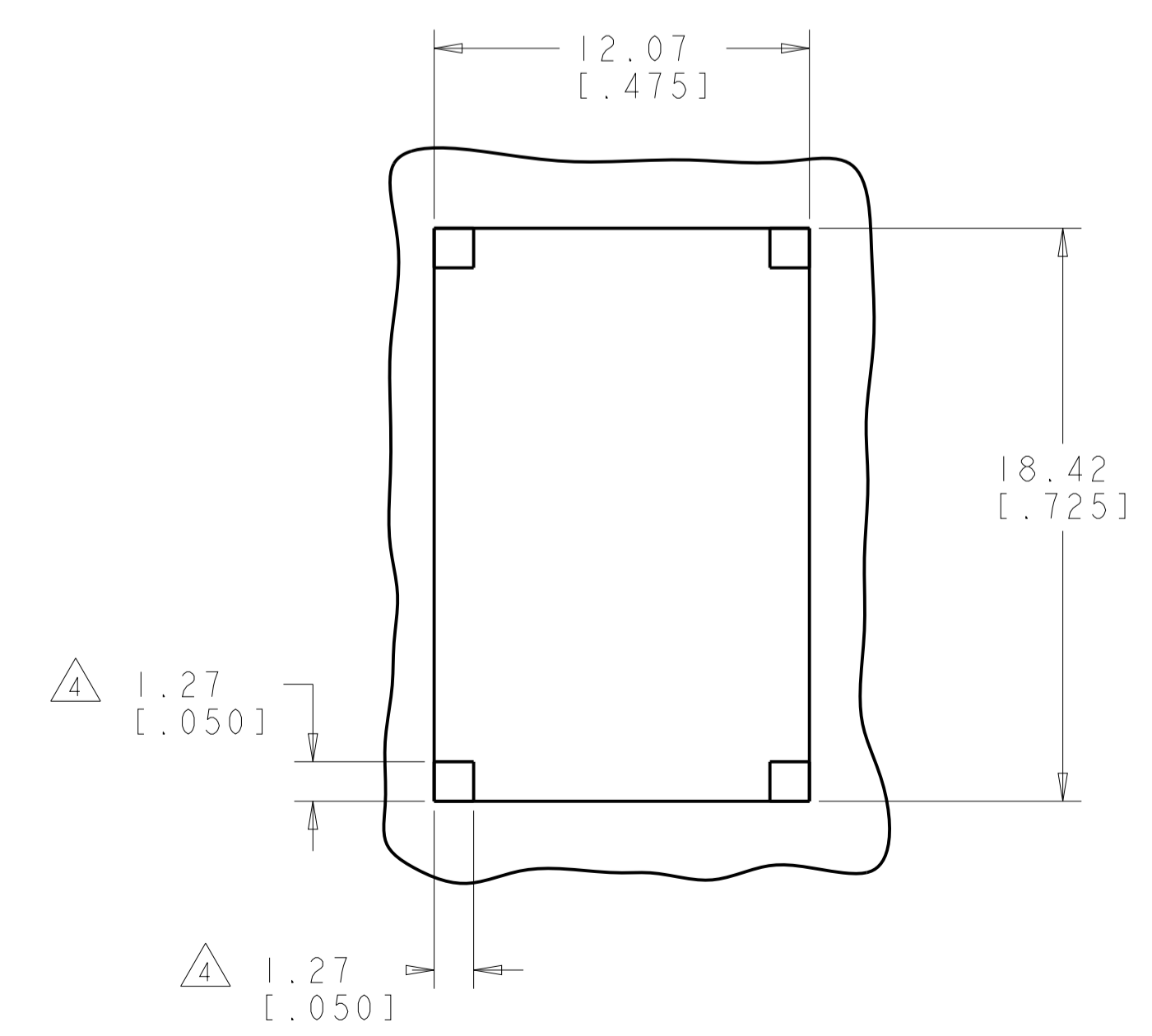
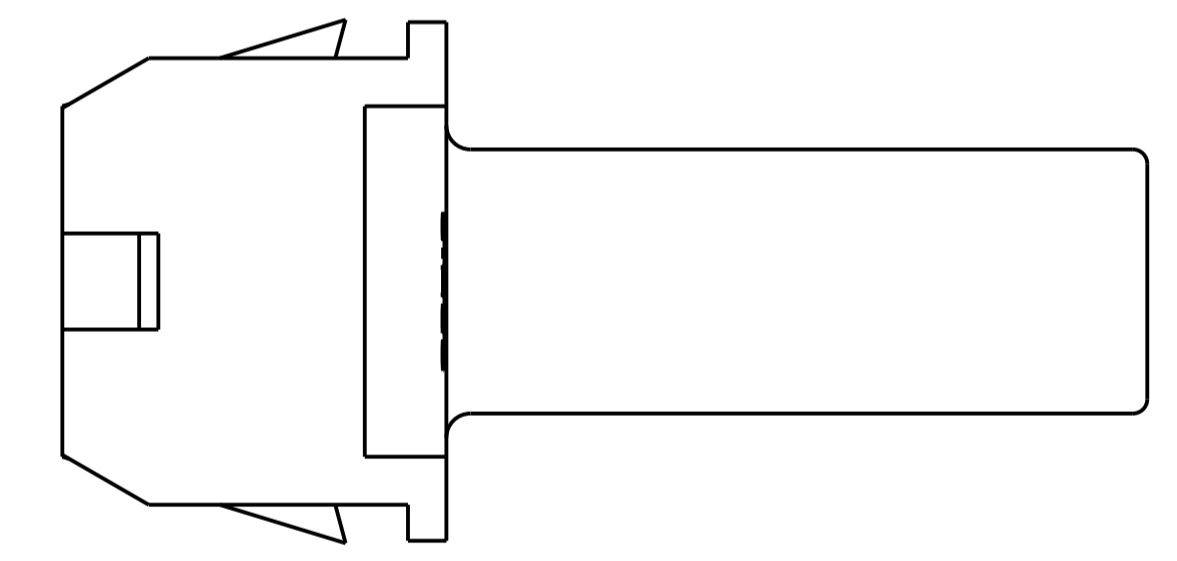


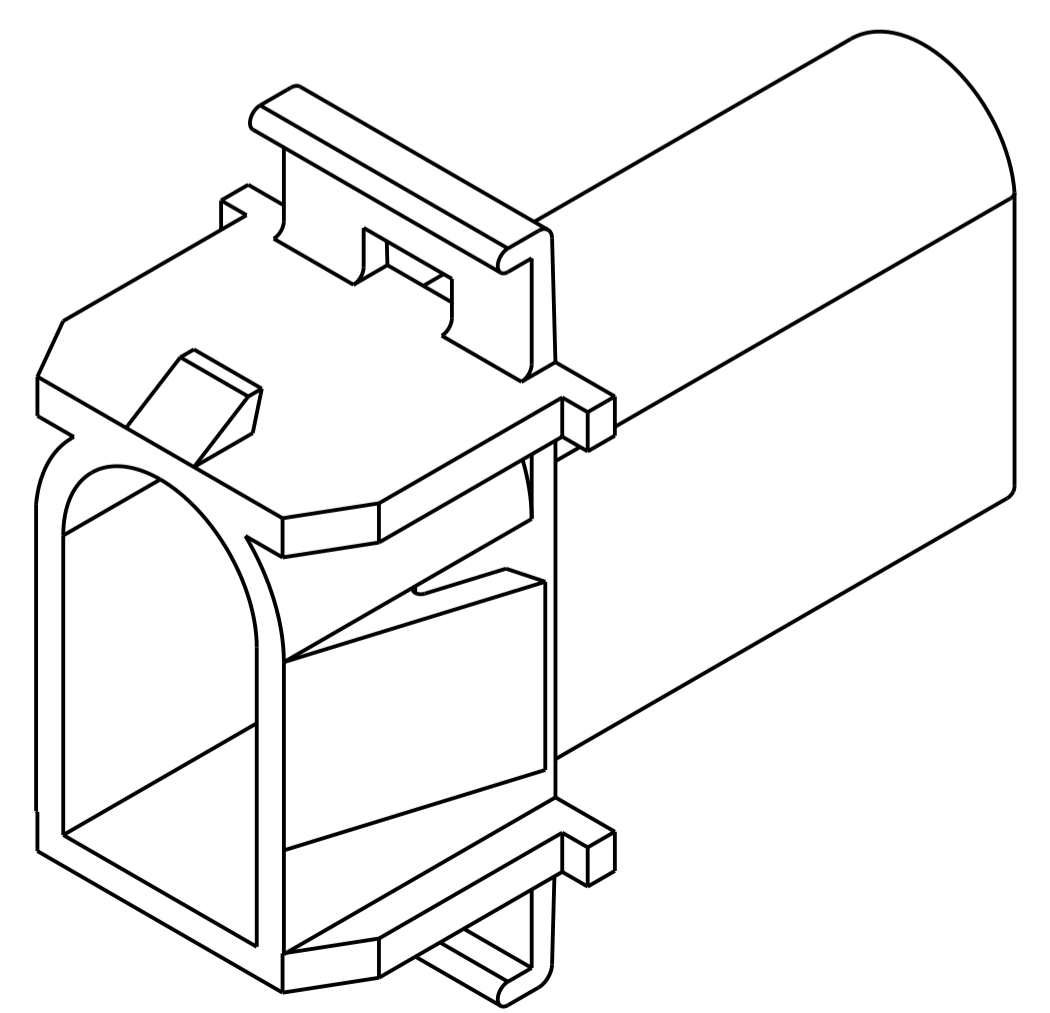
LOC	DIST	REVISIONS					
CM	00	P.	LTH	DESCRIPTION	DATE	DWN	APVD
		E1		REVISED PER ECO-11-005027	16MAR2011	RK	HMR
		E2		REVISED PER ECR-21-101087	29APR2021	PJ	VS



- NOTE DELETED.
 - ACCEPTS .140 SERIES PINS.
 - MATES WITH PLUG 350344.
- ⚠ 1.27 x 1.27 [.050 x .050] TABS IN CORNERS OF CUT-OUT ARE OPTIONAL TO REDUCE FLOAT IN PANEL.



RECOMMENDED PANEL CUT-OUT,
PANEL THICKNESS 0.76-1.65 [.030-.065]



OBSOLETE	0.098 IN ³	GRAY	1-350345-0
	0.098 IN ³	NATURAL	1-350345-0
	VOLUME	COLOR	PART NUMBER

METRIC

THIS DRAWING IS A CONTROLLED DOCUMENT.

DIMENSIONS: mm [INCHES]	TOLERANCES UNLESS OTHERWISE SPECIFIED:	DWN R. WHITAKER 18APR2007	CHK C. CASH 18APR2007	APVD C. CASH 18APR2007	NAME CAP. 2 CIRCUIT, .140 MATE-N-LOK(TM)
0 PLC ±	1 PLC ±0.13 [.005]	PRODUCT SPEC	SIZE A100779C=350345		
2 PLC ±	3 PLC ±	APPLICATION SPEC	RESTRICTED TO		
4 PLC ±	ANGLES 40°-90°	WEIGHT	CUSTOMER DRAWING		
MATERIAL NYLON	FINISH	SCALE 5:1		SHEET 1 OF 1	REV E2