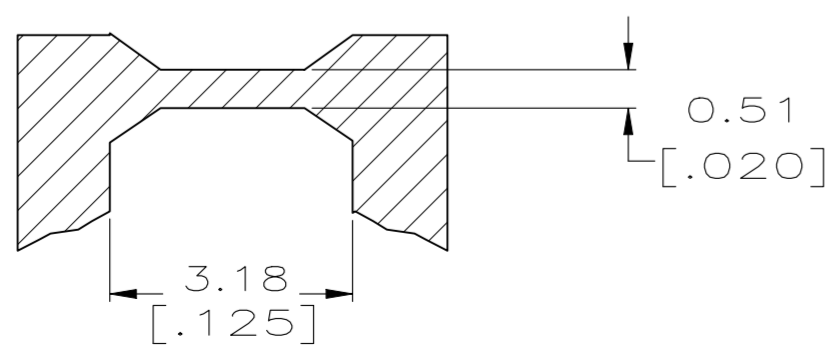
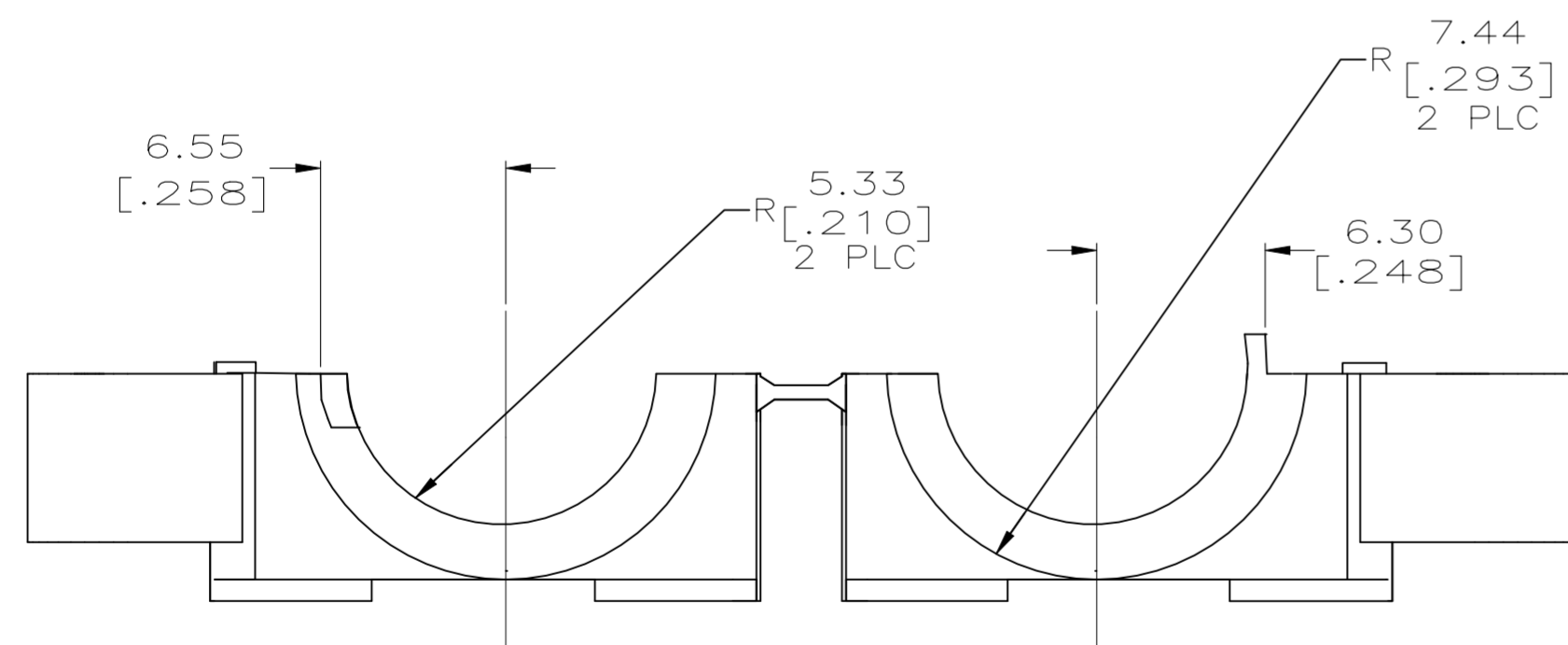
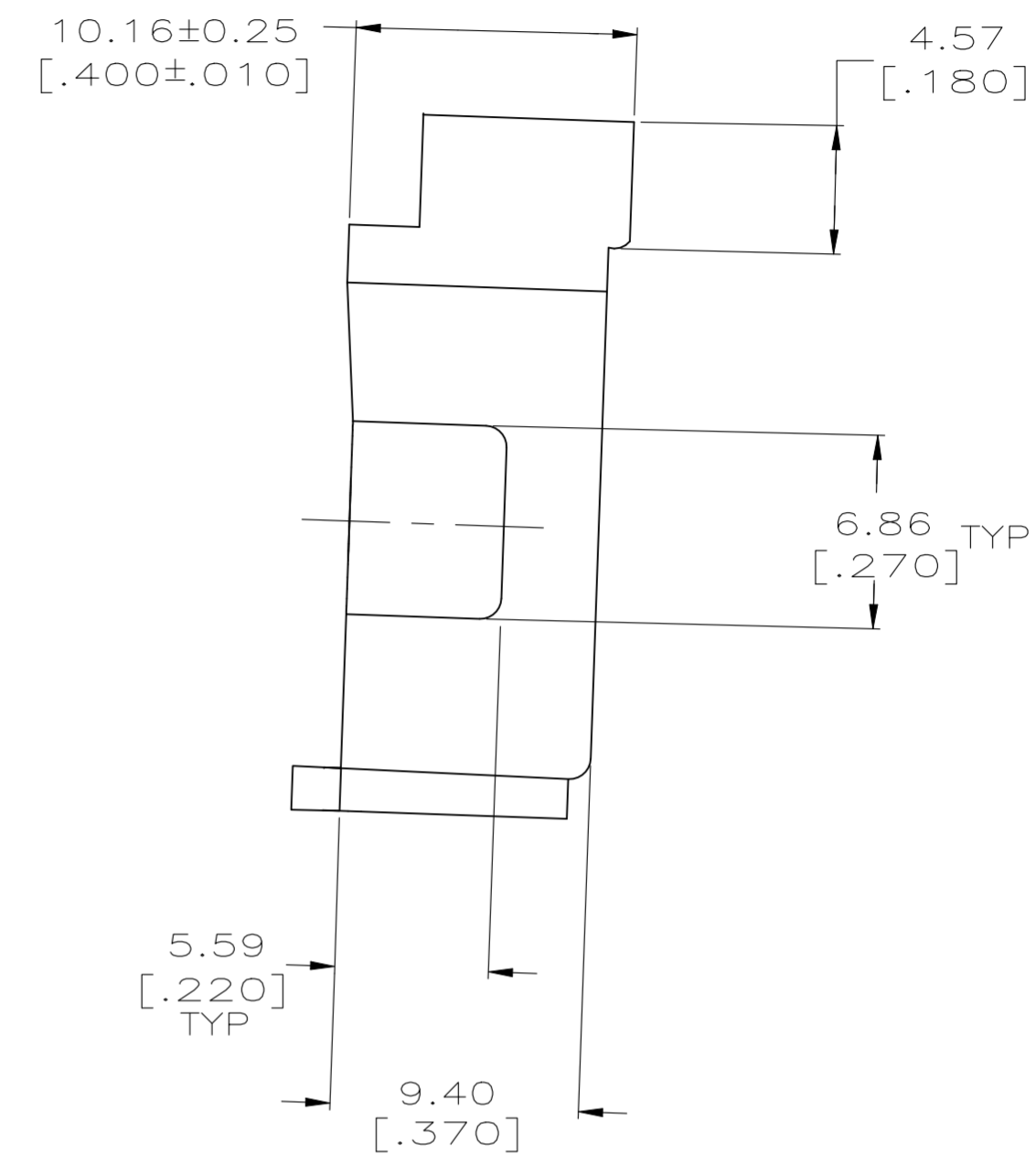
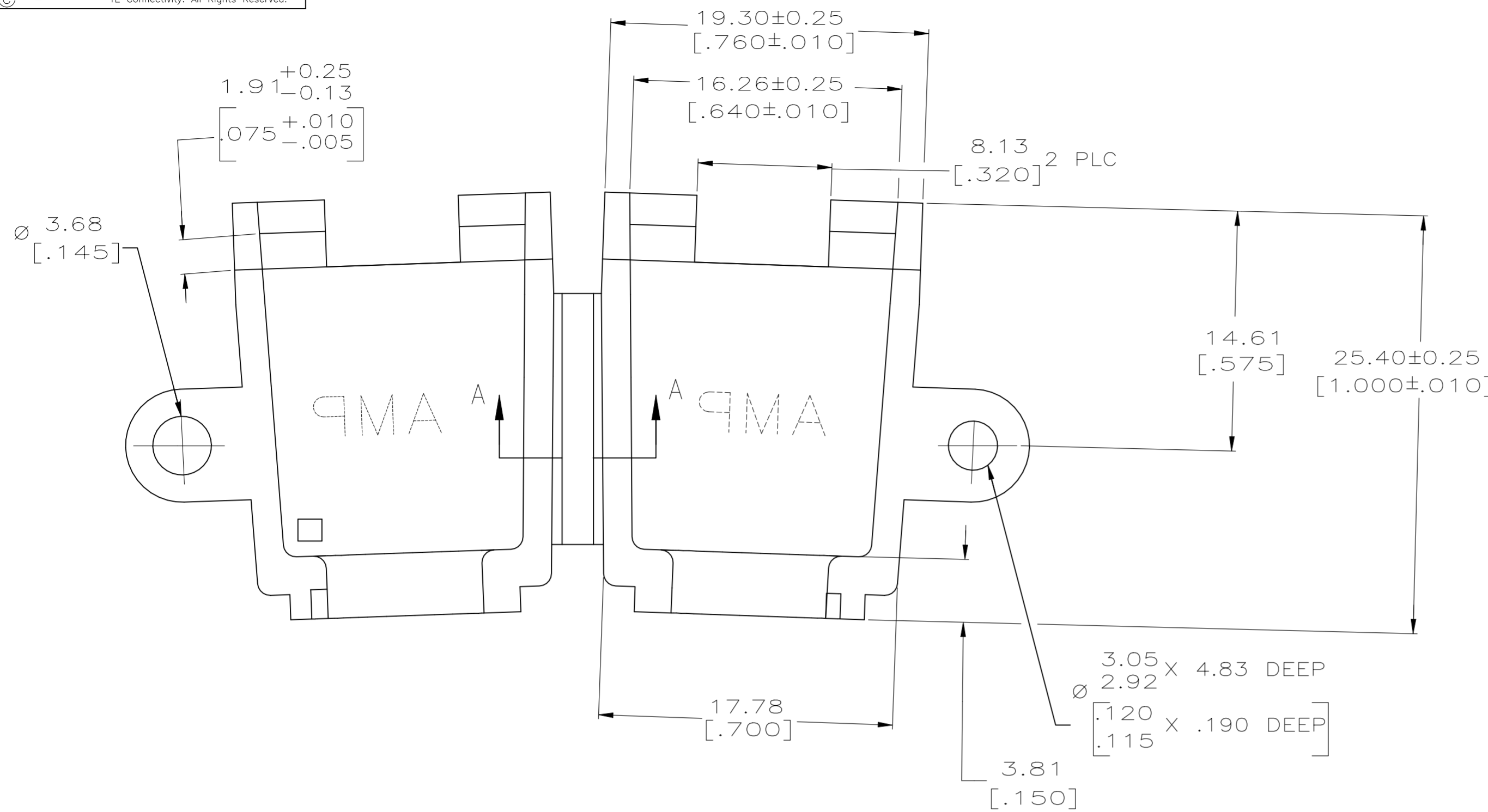
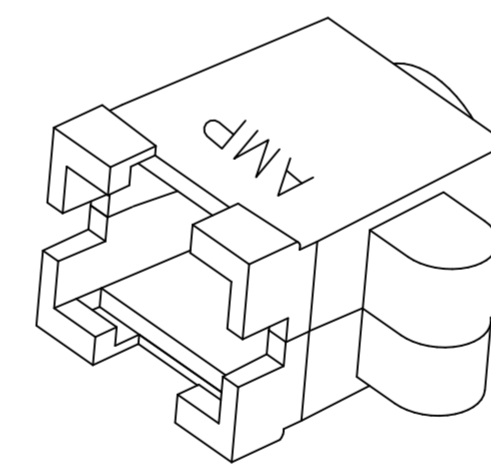


REVISIONS					
P	LTR	DESCRIPTION	DATE	DWN	APVD
L		REVISED PER ECO-21-006915	26OCT2021	RK	MZ



SECTION A-A  
SCALE 10:1



3-DIMENSIONAL MODEL  
NTS

1. REQUIRES A #6 PAN HEAD TYPE "B" SELF TAPPING PAN HEAD SCREW, 9.53 [.375] LONG.
2. DIMENSIONS IN BRACKETS ARE IN INCHES.
- 3 HOUSING MATERIAL: PA66, BLACK, UL 94 V-0 RATED
- 4 HOUSING MATERIAL: PA66, BLACK, UL 94 V-2 RATED

4	1-350522-9
3	350522-1
MATERIAL	PART NO

THIS DRAWING IS A CONTROLLED DOCUMENT.		DWN	K. SALMON	6-9-93		TE Connectivity			
DIMENSIONS: mm [INCHES]		CHK	R. SWING	6-9-93		NAME			
TOLERANCES UNLESS OTHERWISE SPECIFIED:		APVD	W. LONG	7-20-94		STRAIN RELIEF, HINGED, 9 POSITION			
0 PLC ± -		PRODUCT SPEC	APPLICATION SPEC			SIZE	CAGE CODE	DRAWING NO	RESTRICTED TO
1 PLC ± -		MATERIAL		FINISH	WEIGHT	A2	00779	C=350522	-
2 PLC ± 0.13[.005]		SEE TABLE		-	CUSTOMER DRAWING	SCALE	4:1	SHEET	1 OF 1
3 PLC ± -								REV	L
4 PLC ± -									
ANGLES ± -									